

# + Simplify

Evolving preparation of single tendon grafts for ligament reconstruction

## Smith+Nephew

### X-WING<sup>◇</sup>

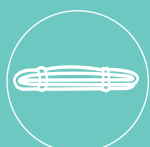
Graft Preparation System



BTB



Quad



Hamstring

The X-WING<sup>®</sup> Graft Preparation System is designed to optimize single tendon ACL reconstructions, including EndoSTAR + UltraSTAR techniques, by providing secure button attachment, guided set-up for predictive construct length and controlled pre-tensioning for double button graft constructs.

## System components

### X-WING tensioner

- Quick attachment to base
- Allows for one-handed application of load
- Applies up to 300N of tension to pre-condition graft construct for minimized displacement

### Button holder

- Magnetic closure is designed to provide secure placement and stability of buttons

### Button holder – suture management

- Suture management post securely holds additional sutures or whipstitched ends of single button constructs

### Sliding Base

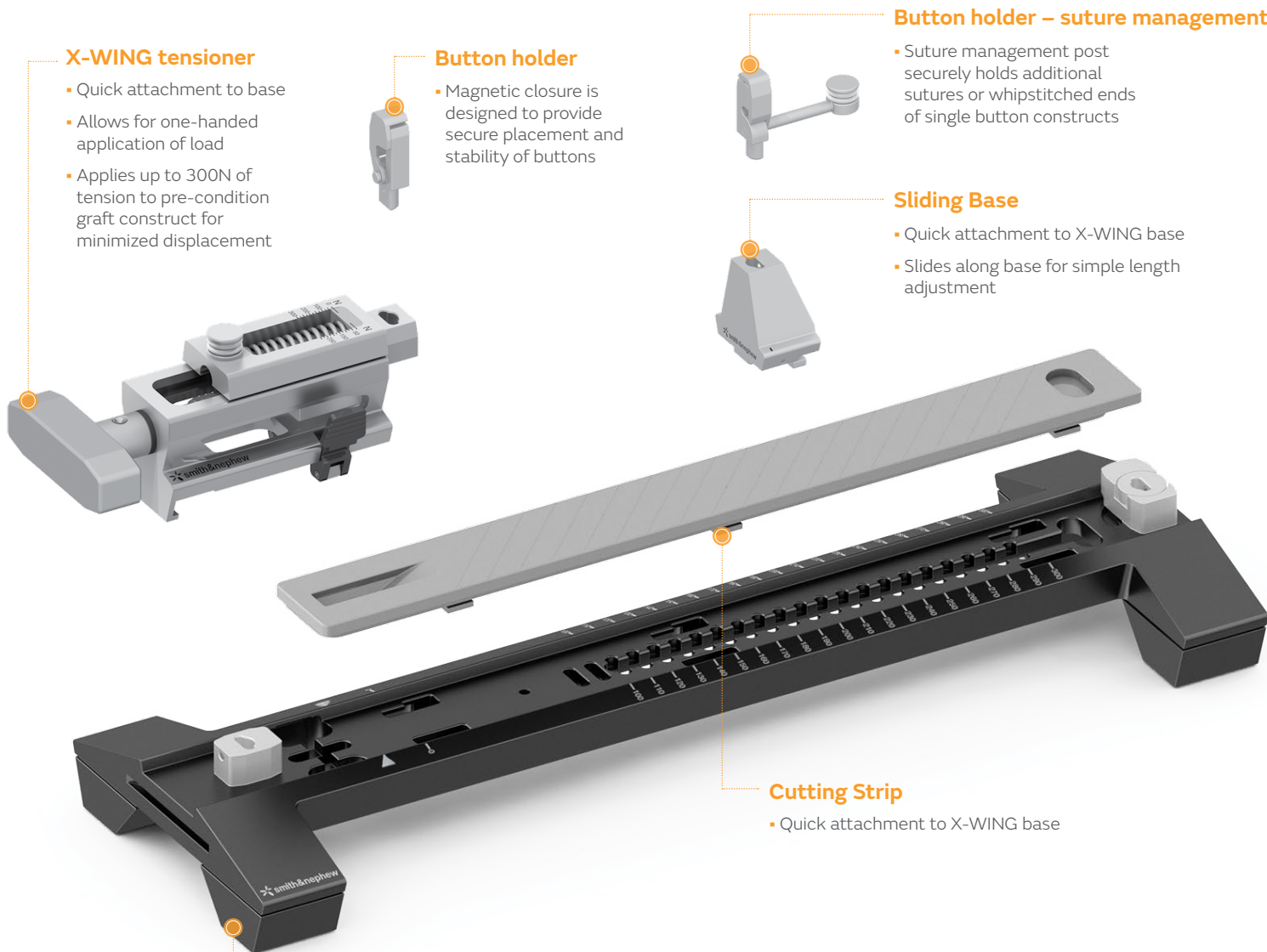
- Quick attachment to X-WING base
- Slides along base for simple length adjustment

### Cutting Strip

- Quick attachment to X-WING base

### X-WING base

- Wide stable base
- Non-slip feet



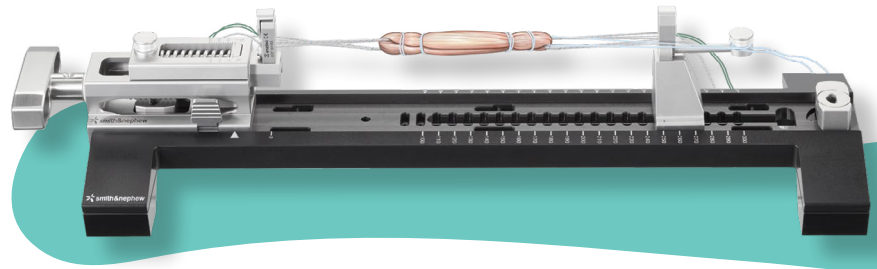
## + Simplify Graft preparation

The X-WING<sup>®</sup> Graft Preparation System

- Guided graft length
- Controlled pre-tensioning
- Secure button attachment

Learn more

- [X-WING product page](#)
- [X-WING System Graft Preparation Technique Guide](#)



## + Expand Fixation + suture options

Fixation solutions for ACL reconstruction

- [ENDOBUTTON<sup>®</sup> Family of Fixation Device](#) for fixed loop solutions
- [ULTRABUTTON<sup>®</sup> Adjustable Fixation Device](#) for a reliable adjustable loop solution
- [XTENDOBUTTON<sup>®</sup> Fixation Device](#) for added tunnel diameter

*Optimized X-WING button holders also work on ACUFEX<sup>®</sup> GRAFTMASTER<sup>®</sup> III*

New Suture Solution designed for minimal tissue disruption during graft preparation

- [LOOPED SUTURE #2 with needle](#)  
Available in co-braid or solid suture + curved or straight needle

## + Support ACL techniques

UltraSTAR + EndoSTAR (Single Tendon ACL Reconstruction) Techniques

- [UltraSTAR surgical technique animation](#)
- [UltraSTAR: Technique + tips video with Dr. Brandon Bryant](#)
- [EndoSTAR surgical technique video with Dr. Toby Leys](#)

All-inside ACL Technique

- [All-inside ACL reconstruction with Dr. Brandon Bryant](#)
- [All-inside graft preparation with Dr. Brandon Bryant](#)

Hamstring graft technique

- [Animation](#)



# Ordering information

X-WING <sup>®</sup> System	
Reference #	Description
72205269	X-Wing Graft Prep System, includes 1 of each:
72205270	X-WING Base
72205271	X-WING Tensioner
72205272	X-WING Sliding Base
72205275	X-WING Tray
72205424	X-WING Tray Lid
72205273	Button Holder
72205274	Button Holder – Suture Management

### Recommended accessory:

72202317	ACUFEX <sup>®</sup> GRAFTMASTER <sup>®</sup> III Cutting Strip
----------	--

### Optional accessories:

72202319	ACUFEX GRAFTMASTER III Slotted Sizing Block
72202315	ACUFEX GRAFTMASTER III Tissue Grasper
7207342	ACUFEX GRAFTMASTER III Tensioning Post

ACUFEX GRAFTMASTER III Upgrade Components	
72205273	Button Holder
72205274	Button Holder – Suture Management

XTENDOBUTTON <sup>®</sup> Round Fixation Devices	
71935601	XTENDOBUTTON Round 15mm $\varnothing$ (small); <b>Tunnel diameter:</b> 4.0mm-7.0mm
71935602	XTENDOBUTTON Round 17mm $\varnothing$ , 7.5mm peg (medium); <b>Tunnel diameter:</b> 7.5mm-9.5mm
71935603	XTENDOBUTTON Round 21mm $\varnothing$ , 10mm peg (large); <b>Tunnel diameter:</b> 10.0mm-13.0mm

XTENDOBUTTON Oval Fixation Devices	
Reference #	Description
71935604	XTENDOBUTTON Oval 9mm x 16mm (small); <b>Tunnel diameter:</b> 4.0mm-7.0mm
71935605	XTENDOBUTTON Oval 11mm x 18mm, 7.5mm peg (medium); <b>Tunnel diameter:</b> 7.5mm-9.5mm
71935606	XTENDOBUTTON Oval 15mm x 21mm, 10mm peg (large); <b>Tunnel diameter:</b> 10.0mm-13.0mm

XTENDOBUTTON Fixation Device	
72200134	XTENDOBUTTON Fixation Device; <b>Tunnel diameter:</b> 6.0-10.0mm

ULTRABUTTON <sup>®</sup> Adjustable Fixation Device	
72290003	ULTRABUTTON Adjustable Fixation Device

ENDOBUTTON <sup>®</sup> Fixation Devices	
72203331	ENDOBUTTON CL ULTRA 10mm
72200146- 72200155	ENDOBUTTON CL ULTRA 15mm-60mm (5mm increments)
72203330	ENDOBUTTON CL BTB 15mm
7210080- 7210088	ENDOBUTTON CL BTB 20-60mm (5mm increments)

Suture Solutions	
72205181	LOOPED SUTURE #2 with Straight Needle, white/co-braid blue, 20" (12 per box)
72205182	LOOPED SUTURE #2 with Straight Needle, blue, 20" (12 per box)
72205183	LOOPED SUTURE #2 with Curved Needle, white/co-braid blue, 20" (12 per box)
72205184	LOOPED SUTURE #2 with Curved Needle, blue, 20" (12 per box)

All products may not be available in all markets due to the regulatory and/or medical practices in individual markets. Please contact your Smith+Nephew representative if you have questions about the availability of Smith+Nephew products in your area.

Learn more at [ReconstructWithConfidence.com](https://www.ReconstructWithConfidence.com)

LOOPED SUTURE is manufactured by:  
  
 2917 Weck Drive  
 Research Triangle Park,  
 NC 27709 USA

X-WING is manufactured by:  
  
 3/17 Print Place Middleton  
 Christchurch, 8024  
 New Zealand. All other products listed are manufactured by Smith+Nephew.

Sports Medicine  
 Smith & Nephew, Inc.  
 150 Minuteman Road  
 Andover, MA 01810

[www.smith-nephew.com](https://www.smith-nephew.com)  
 T +978 749 1000  
 US Customer Service:  
 +1 800 343 5717

<sup>®</sup>Trademark of Smith+Nephew.  
 All trademarks acknowledged.  
 ©2021 Smith+Nephew. All rights reserved. 26821 V2 06/21