

# + Expand your scope

Arthroscope catalog

**Smith+Nephew**

ARTHROSCOPES  
Surgical Optics

LAPAROSCOPES  
Surgical Optics



# Contents

Small joint

---

Shoulder + Hip + Knee

---

Ear + Nose + Throat

---

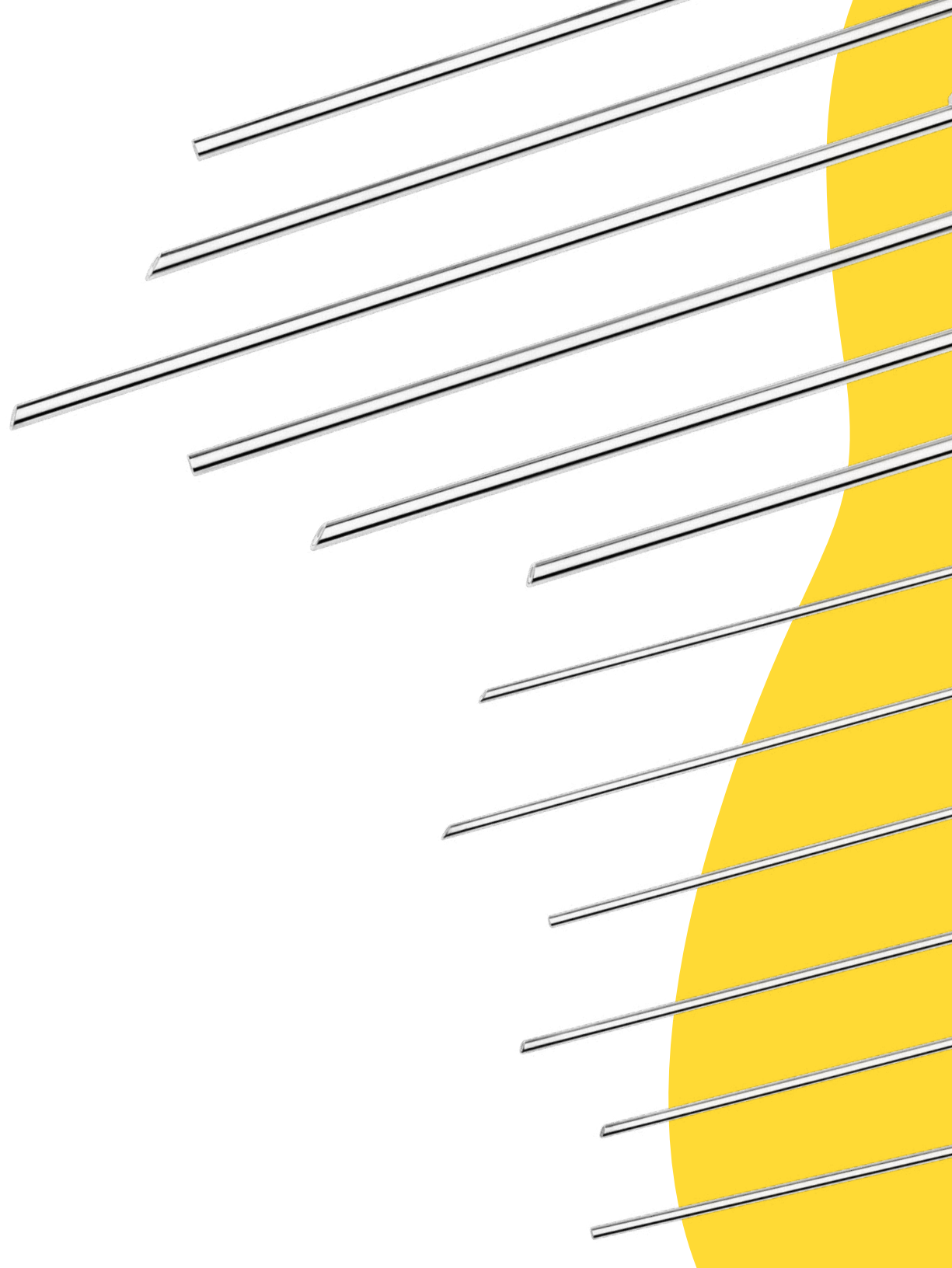
General surgery

---

Couplers, light guides +  
adapters

---

 *Click on these topics to take you directly there*



# LENS HD and LENS 4K with 4K optimized arthroscopes

Smith+Nephew's new 4KO<sup>®</sup> Arthroscopes and Laparoscopes are designed for use with either LENS HD or LENS 4K Surgical Imaging System to increase brightness, color transmission, and overall image quality.<sup>1-8</sup>

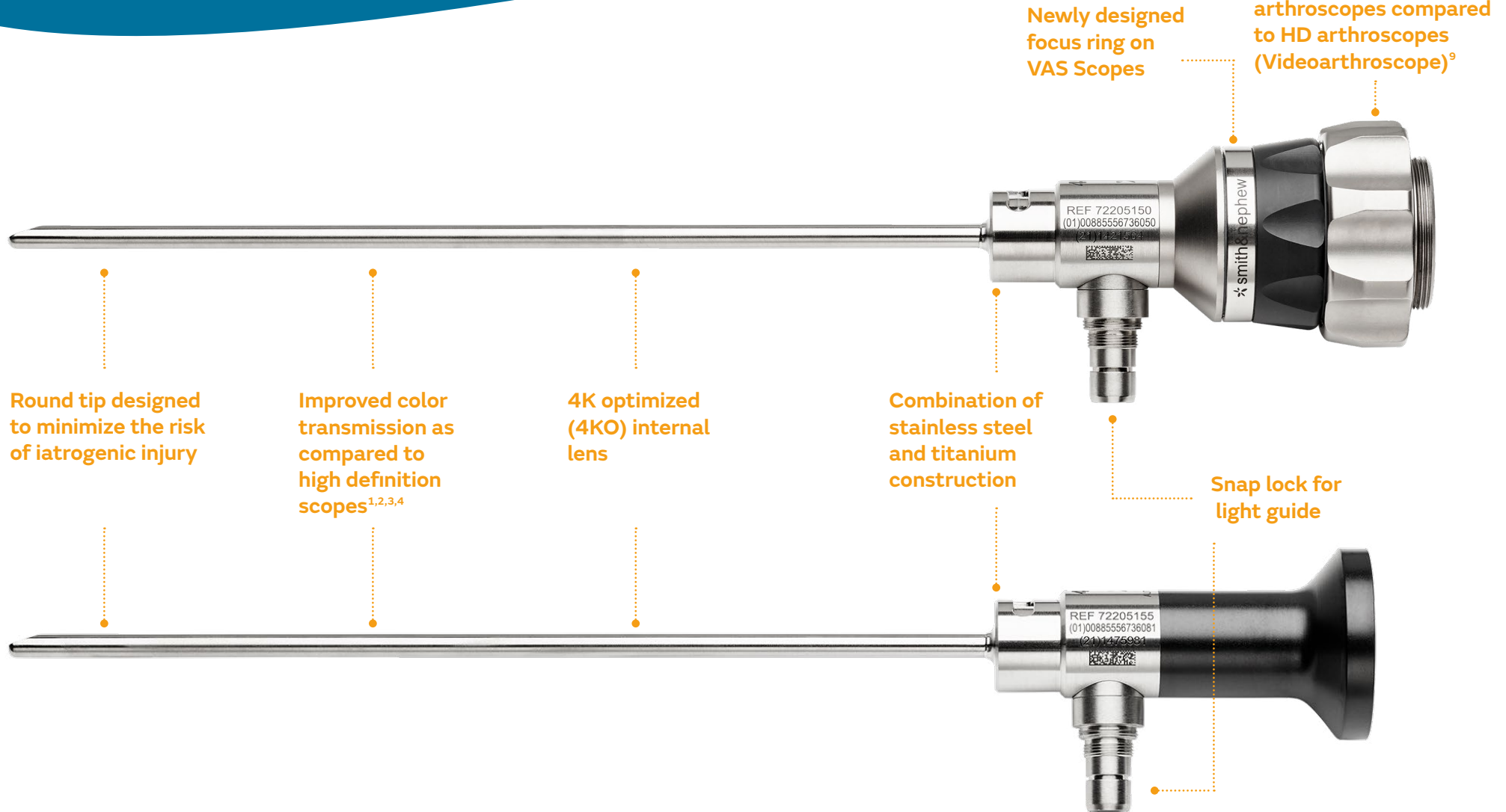


Impressive 4KO Image quality  
with LENS 4K Camera +  
4K Optimized Arthroscopes

[Click here](#)



# LENS 4KO<sup>◇</sup> scopes optimized for 4K resolution imaging



[Click here](#)

All LENS 4KO arthroscopes are compatible with LENS HD and LENS 4K camera head



## + Small joint arthroscopes

Indications: illumination and visualization in diagnostic and operative arthroscopic procedures for the hip, knee, shoulder, wrist, temporal-mandibular joint, ankle, elbow, toes, heel and fingers

- Both distal and proximal ends soldered for increased durability
- Sapphire distal lenses and rear ocular windows for greater scratch resistance than conventional glass
- Stainless steel construction to withstand various sterilization modalities



### C mount videoarthroscopes

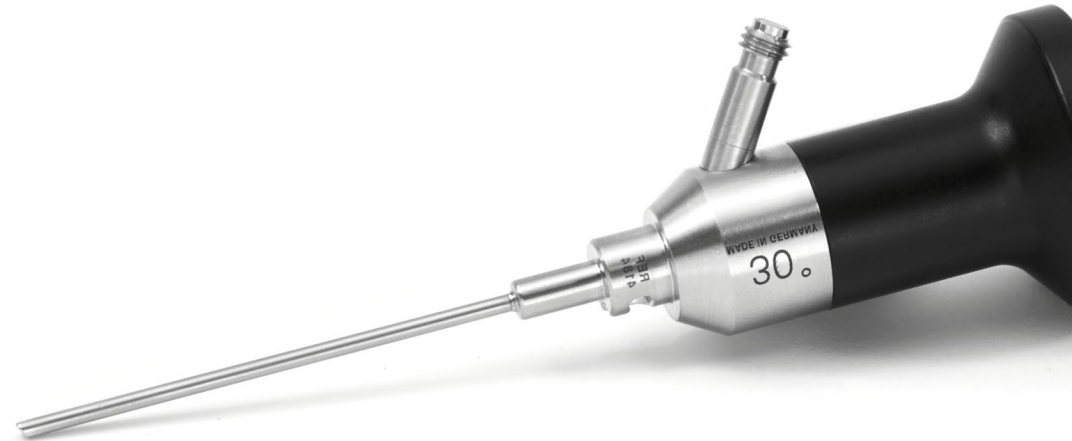
Part no.	Outer diameter	Direction of view	Field of view	Working length mm [in]	Light post direction	Chemical sterilization	Autoclavable	Recommended light cable	Resolution
7208133	1.9mm	30°	75°	62mm [2.44in]	Opposite	STERRAD®, STERIS®, EtO	No	2.0mm	HD
72205143	2.7mm	30°	90°	120mm [4.72in]	Opposite	STERRAD, STERIS	Yes	4.0mm	HD
72205144	2.7mm	30°	90°	67mm [2.63in]	Opposite	STERRAD, STERIS	Yes	4.0mm	HD
72205145	2.7mm	70°	90°	70mm [2.75in]	Opposite	STERRAD, STERIS	Yes	4.0mm	HD



## + Small joint arthroscopes

Indications: illumination and visualization in diagnostic and operative arthroscopic procedures for the hip, knee, shoulder, wrist, temporal-mandibular joint, ankle, elbow, toes, heel and fingers

- Both distal and proximal ends soldered for increased durability
- Sapphire distal lenses and rear ocular windows for greater scratch resistance than conventional glass
- Stainless steel construction to withstand various sterilization modalities



### Direct view arthroscopes:

Part no.	Outer diameter	Direction of view	Field of view	Working length mm [in]	Light post direction	Chemical sterilization	Autoclavable	Recommended light cable	Resolution
4184	1.9mm	30°	60°	67mm [2.63in]	Opposite	STERRAD®, STERIS®, EtO	No	2.0mm	HD
7205681	2.7mm	30°	80°	119mm [4.68in]	Opposite	STERRAD, STERIS, EtO	Yes	4.0mm	HD
7205682	2.7mm	30°	90°	67mm [2.63in]	Opposite	STERRAD, STERIS, EtO	Yes	4.0mm	HD
72200733	2.7mm	70°	80°	119mm [4.68in]	Opposite	STERRAD, STERIS, EtO	Yes	4.0mm	HD
3948	2.7mm	70°	90°	70mm [2.75in]	Opposite	STERRAD, STERIS, EtO	No	4.0mm	HD
4144	4.0mm	30°	90°	106mm [4.17in]	Same side	STERRAD, STERIS, EtO	No	4.0mm	HD





# 4KO<sup>◇</sup> round tip arthroscope

New 4KO round tip arthroscopes are designed to minimize the risk of iatrogenic injury



Traditional tip

New round tip

# Shoulder + Hip + Knee

Indications: illumination and visualization in diagnostic and operative arthroscopic procedures for the hip, knee, shoulder, wrist, temporal-mandibular joint, ankle, elbow, toes, heel and fingers.

- Both distal and proximal ends soldered for increased durability
- Sapphire distal lenses and rear ocular windows for greater scratch resistance than conventional glass
- Stainless steel construction to withstand various sterilization modalities



## C mount videoarthroscopes

Part no.	Outer diameter	Direction of view	Field of view	Working length mm [in]	Light post direction	Chemical sterilization	Autoclavable	Recommended light cable	Resolution
72205149	4.0mm	30°	115°	160mm [6.29in]	Opposite	STERRAD®, STERIS®	Yes	4.0mm	4KO
72205150	4.0mm Round Tip	70°	115°	160mm [6.29in]	Opposite	STERRAD, STERIS	Yes	4.0mm	4KO
72202958	4.0mm	70°	115°	157mm [6.18in]	Opposite	STERRAD, STERIS, EtO	Yes	4.0mm	HD
*72202963	4.0mm	30°	115°	160mm [6.29in]	Same Side	STERRAD, STERIS, EtO	No	4.0mm	HD
*72202964	4.0mm	70°	115°	160mm [6.29in]	Same Side	STERRAD, STERIS, EtO	No	4.0mm	HD

[Click here](#)

\*Light post direction also referred to as "Reverse"





# Shoulder + Hip + Knee

Indications: illumination and visualization in diagnostic and operative arthroscopic procedures for the hip, knee, shoulder, wrist, temporal-mandibular joint, ankle, elbow, toes, heel and fingers.

- Both distal and proximal ends soldered for increased durability
- Sapphire distal lenses and rear ocular windows for greater scratch resistance than conventional glass
- Stainless steel construction to withstand various sterilization modalities



## Direct view arthroscopes

Part no.	Outer diameter	Direction of view	Field of view	Working length mm [in]	Light post direction	Chemical sterilization	Autoclavable	Recommended light cable	Resolution
72205153	4.0mm	0°	115°	160mm [6.29in]	Opposite	STERRAD®, STERIS®	Yes	4.0mm	4KO
72205154	4.0mm	30°	115°	160mm [6.29in]	Opposite	STERRAD, STERIS	Yes	4.0mm	4KO
72205155	4.0mm Round tip	70°	115°	160mm [6.29in]	Opposite	STERRAD, STERIS	Yes	4.0mm	4KO
72205156	4.0mm	45°	115°	160mm [6.29in]	Opposite	STERRAD, STERIS	Yes	4.0mm	4KO
*72201845	4.0mm	30°	115°	163mm [6.29in]	Same Side	STERRAD, STERIS, EtO	Yes	4.0mm	HD
72202088	4.0mm	70°	115°	160mm [6.29in]	Opposite	STERRAD, STERIS, EtO	Yes	4.0mm	HD
**7208132	4.0mm	30°	115°	175mm [6.88in]	Opposite	STERRAD, STERIS, EtO	Yes	4.0mm	HD
72201597	4.0mm	30°	115°	278mm [10.94in]	Opposite	STERRAD, STERIS, EtO	Yes	4.0mm	HD
72201598	4.0mm	70°	115°	280mm [11.02in]	Opposite	STERRAD, STERIS, EtO	Yes	4.0mm	HD

[Click here](#)

\*Light post direction also referred to as "Reverse"  
 \*\*Compatible with Storz® connection



# Ear + Nose + Throat

Indications: arthroscopy and examination/treatment of nasal cavities and nasal pharynx.

- Both distal and proximal ends soldered for increased durability
- Sapphire distal lenses and rear ocular windows for greater scratch resistance than conventional glass
- Stainless steel construction to withstand various sterilization modalities



## Direct view arthroscopes

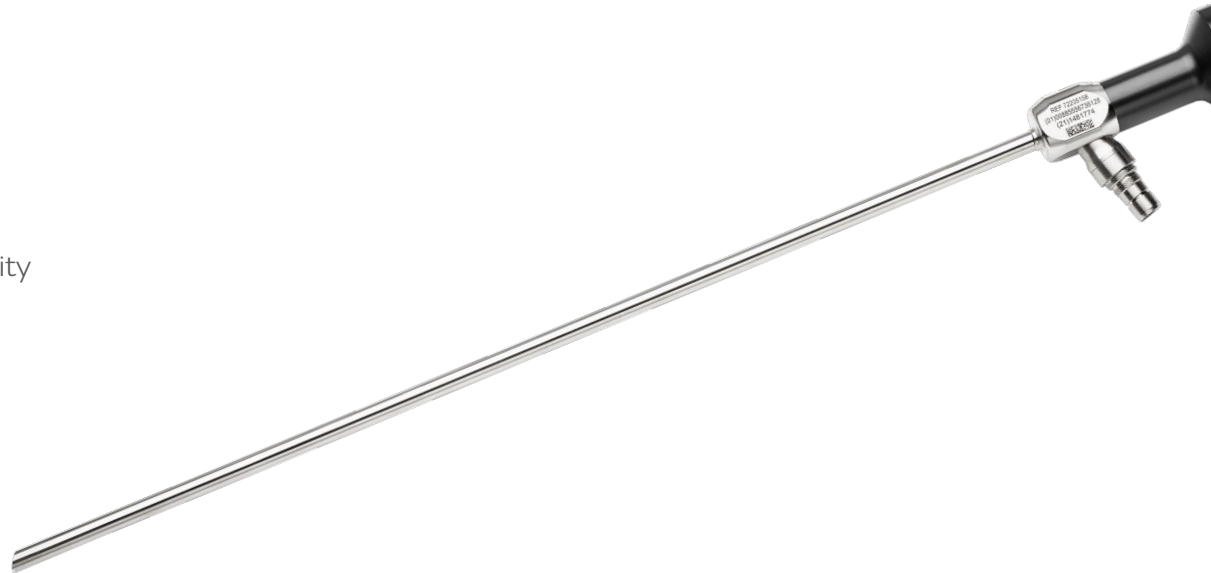
Part no.	Outer diameter	Direction of view	Field of view	Working length mm [in]	Light post direction	Chemical sterilization	Autoclavable	Recommended light cable	Resolution
72205072	4.0mm	0°	115°	185mm [7.28in]	Opposite	STERRAD®, STERIS®	Yes	4.0mm	HD
72205073	4.0mm	30°	115°	185mm [7.28in]	Opposite	STERRAD, STERIS	Yes	4.0mm	HD
72205074	4.0mm	30°	115°	185mm [7.28in]	Same side	STERRAD, STERIS	Yes	4.0mm	HD
72205075	4.0mm	45°	115°	185mm [7.28in]	Opposite	STERRAD, STERIS	Yes	4.0mm	HD
72205076	4.0mm	70°	115°	185mm [7.28in]	Opposite	STERRAD, STERIS	Yes	4.0mm	HD
72205077	4.0mm	70°	115°	185mm [7.28in]	Same side	STERRAD, STERIS	Yes	4.0mm	HD



# + 4KO<sup>◇</sup> Laparoscopes

Indications: general laparoscopic surgery for access to internal structures.

- Both distal and proximal ends soldered for increased durability
- Sapphire distal lenses and rear ocular windows for greater scratch resistance than conventional glass
- Stainless steel construction to withstand various sterilization modalities



## Direct view arthroscopes

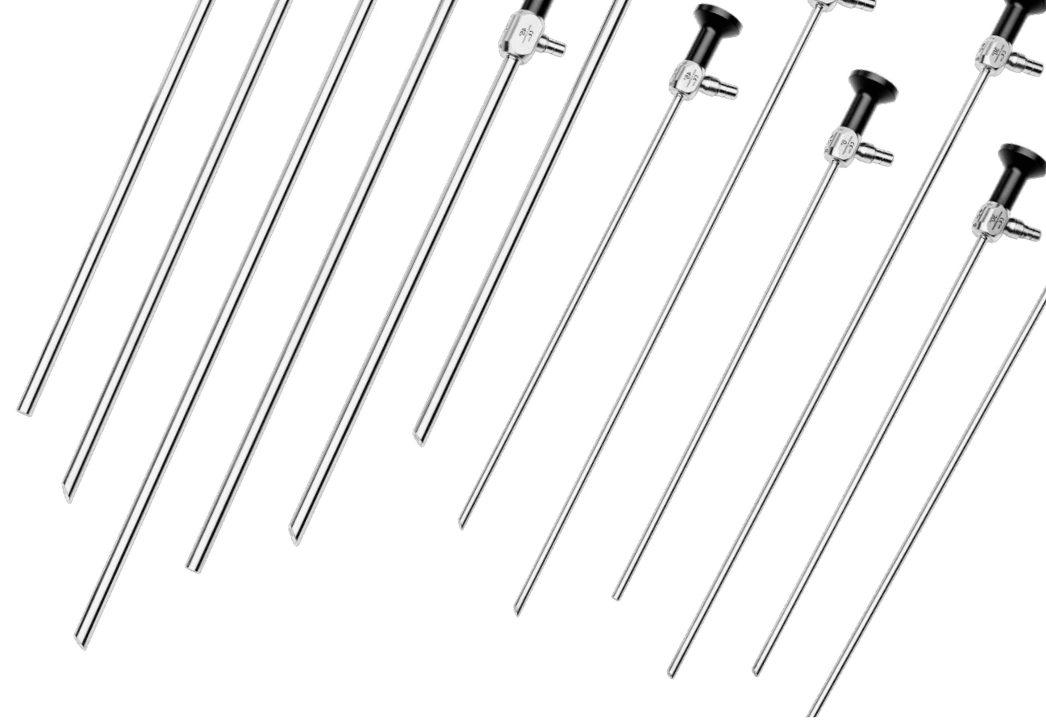
Part no.	Outer diameter	Direction of view	Field of view	Working length mm [in]	Light post direction	Chemical sterilization	Autoclavable	Recommended light cable	Resolution
72205157	5.5mm	0°	75°	300mm [11.81in]	Opposite	STERRAD®, STERIS®	Yes	5.0mm	4KO
72205158	5.5mm	30°	75°	300mm [11.81in]	Opposite	STERRAD, STERIS	Yes	5.0mm	4KO
72205159	5.5mm	45°	75°	300mm [11.81in]	Opposite	STERRAD, STERIS	Yes	5.0mm	4KO
72205163	10mm	0°	75°	330mm [12.99in]	Opposite	STERRAD, STERIS	Yes	5.0mm	4KO
72205164	10mm	30°	75°	330mm [12.99in]	Opposite	STERRAD, STERIS	Yes	5.0mm	4KO
72205165	10mm	45°	75°	330mm [12.99in]	Opposite	STERRAD, STERIS	Yes	5.0mm	4KO



# + 4KO<sup>◇</sup> Bariatric Laparoscopes

Indications: general laparoscopic surgery for access to internal structures.

- Both distal and proximal ends soldered for increased durability
- Sapphire distal lenses and rear ocular windows for greater scratch resistance than conventional glass
- Stainless steel construction to withstand various sterilization modalities



## Direct view arthroscopes

Part no.	Outer diameter	Direction of view	Field of view	Working length mm [in]	Light post direction	Chemical sterilization	Autoclavable	Recommended light cable	Resolution
72205160	5.5mm	0°	75°	424mm [16.69in]	Opposite	STERRAD <sup>®</sup> , STERIS <sup>®</sup>	Yes	5.0mm	4KO
72205161	5.5mm	30°	75°	424mm [16.69in]	Opposite	STERRAD, STERIS	Yes	5.0mm	4KO
72205162	5.5mm	45°	75°	425mm [16.73in]	Opposite	STERRAD, STERIS	Yes	5.0mm	4KO
72205166	10mm	0°	75°	455mm [17.91in]	Opposite	STERRAD, STERIS	Yes	5.0mm	4KO
72205167	10mm	30°	75°	455mm [17.91in]	Opposite	STERRAD, STERIS	Yes	5.0mm	4KO
72205168	10mm	45°	75°	455mm [17.91in]	Opposite	STERRAD, STERIS	Yes	5.0mm	4KO



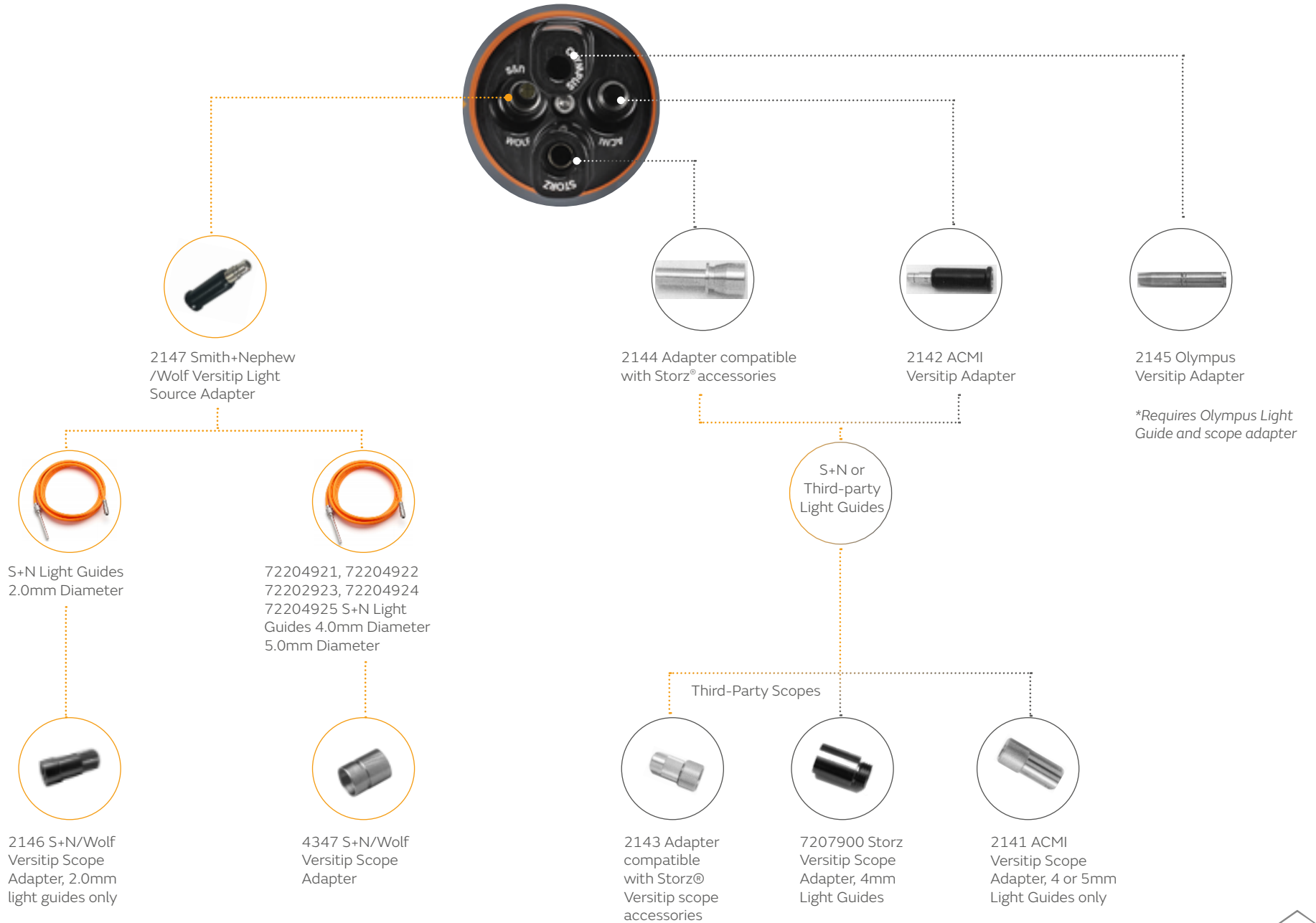
## + Light cords



Outer diameter mm	Part no.	Length, m [ft]	Compatibility
2.0	72204926	2.43 [8]	For use only with 1.9mm scopes
4.0	72204858	2.43 [8]	Recommended for use with 2.7 and 4mm scopes
	72204921	3.04 [10]	
	72204922	3.65 [12]	
5.0	72204923	2.43 [8]	Recommended use with 4, 5.5 and 10mm scopes
	72204924	3.04 [10]	
	72204925	3.65 [12]	



# LENS HD + LENS 4K Accessories + Adapters





## + Couplers and accessories



72200422



72200315



72204725

Part no.	Description	Chemical sterilization	Autoclavable	LENS HD	LENS 4K
72201699	16mm Coupler	STERRAD®	No	Yes	Yes
72204725	17.2mm Coupler	STERRAD	Yes	Yes	Yes
72200315	19.5mm Coupler	STERRAD	Yes	Yes	Yes
72200422	26.5mm Coupler	STERRAD	Yes	Yes	Yes
72204952	Replacement O-ring for C-mount couplers	STERRAD	Yes	Yes	Yes
*7205548	Aluminum oxide, abrasive powder for light polishing of lens glass				
7207900	Coupler compatible with Storz® light guide accessories	STERRAD	Yes	Yes	Yes
4347	For Smith+Nephew /Wolf™ Light Guide	STERRAD	Yes	Yes	Yes

\*Only for use on Autoclavable Arthroscopes and Laparoscopes



STERRAD and STERIS are trademarks of their respective holders.

Learn more at [smith-nephew.com](http://smith-nephew.com)

Distributed by:  
Sports Medicine  
Smith & Nephew, Inc.  
150 Minuteman Road  
Andover, MA 01810

[www.smith-nephew.com](http://www.smith-nephew.com)  
T +978 749 1000  
US Customer Service:  
+1 800 343 5717

Manufactured by:  
Henke-Sass, Wolf GmbH  
Keltenstrasse 1  
78532 Tuttlingen

®Trademark of Smith+Nephew.  
©2021 Smith+Nephew. All rights  
reserved. All trademarks acknowledged.  
Printed in USA. 26219 V3 11/21

---

#### References

**1.** Smith+Nephew data on file 15008166 (4mm VAS), 04/20 **2.** S+N data on file 15008167 (4mm Direct View), 04/20 **3.** S+N data on file 15008168 (all 5.5mm), 04/20 **4.** S+N data on file 15008169 (all 10mm), 04/20 **5.** S+N data on file 15008165 (2.7mm HD VAS) is HD resolution, 04/20 **6.** S+N 2016.Limited Commercial Release: LENS Surgical Imaging System. **7.** S+N 2019.Lens 4K user needs design validation. 15008697 B. **8.** S+N 2019.Lens 4K image quality test. 15007295 A. **9.** S+N data on file 15010292 (4mm VAS, 4mm Direct View)