

Tray configuration guide

Smith+Nephew

JOURNEY[◇] II UK
Unicompartmental Knee System

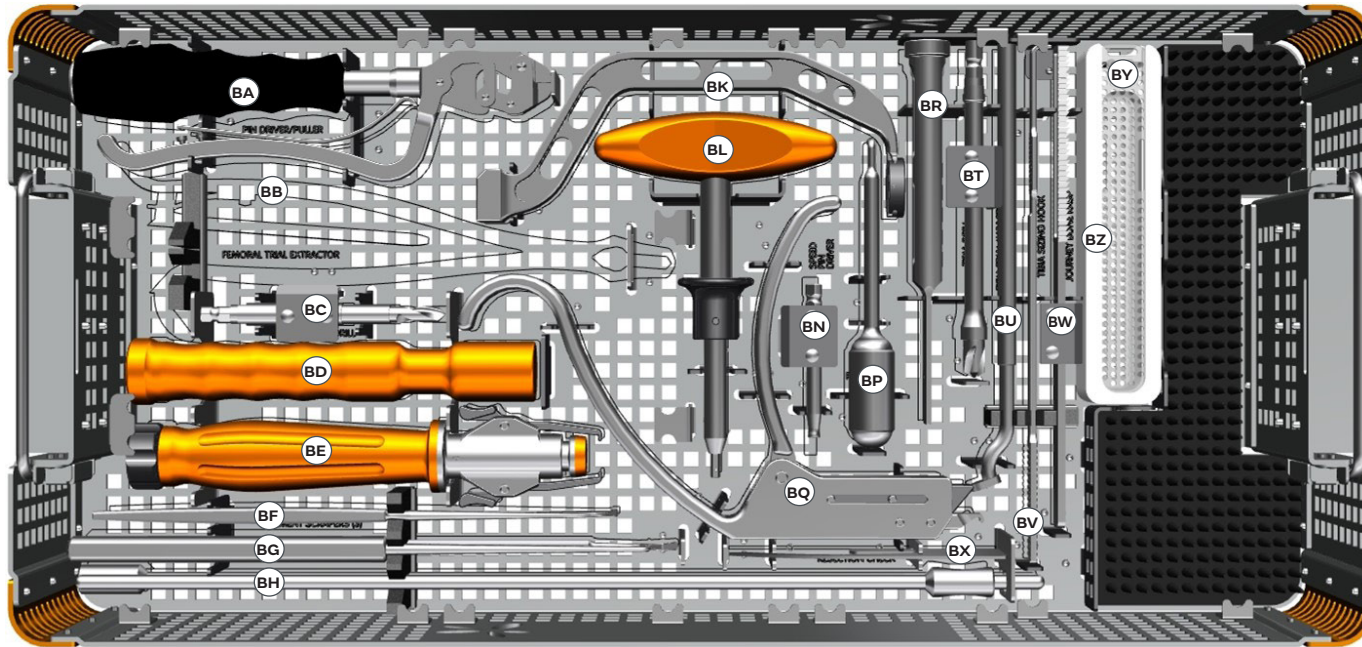


Contents

- 3 JOURNEY II UK General Instruments (Bottom)
- 4 JOURNEY II UK General Instruments (Top)
- 5 JOURNEY II UK General Instruments (Top) Continued
- 6 JOURNEY II UK Distal Tibia Configuration A
- 7 JOURNEY II UK Distal Tibia Configuration B
- 8 JOURNEY II UK Distal Tibia Configuration C
- 9 JOURNEY II UK Distal Tibia Configuration D
- 10 JOURNEY II UK Left Medial Instruments
- 11 JOURNEY II UK Right Medial Instruments
- 12 JOURNEY II UK Proximal Tibia Standard Configuration LM/RL
- 13 JOURNEY II UK Proximal Tibia Standard Configuration RM/LL
- 14 JOURNEY II UK Proximal Tibia Alternate Configuration LM/RL
- 15 JOURNEY II UK Proximal Tibia Alternate Configuration RM/LL
- 16 JOURNEY II UK Medial Tibia Sizing Trials with Hook
- 17 JOURNEY II UK Medial Tibia Sizing Trials without Hook
- 18 JOURNEY II UK Lateral Tibia Instrument Set

74014620

JOURNEY[◇] II UK General Instruments (Bottom)



Note: In order to complete the General Instruments set, one of the Distal Tibia configurations must also be ordered.

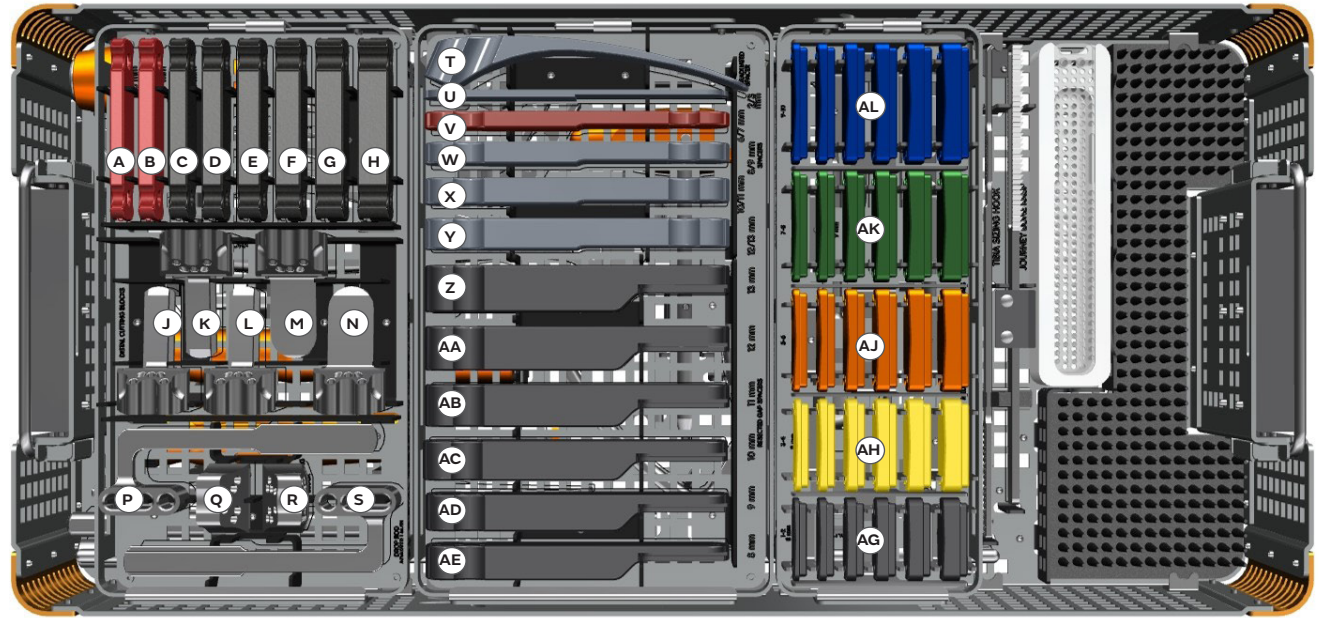
Catalog #	Description	Label	Catalog #	Description	Label
75005420	RT/TC/TC PS REVISION Pin Extractor	BA	74036161	Tibial Drill With Stop	BT
282771	Baby Lane Bone Forceps 216mm*	BB	74036162	Tibial Plate Impactor	BU
74016421	Femoral Peg Drill	BC	74016435	JOURNEY II UK Tibia Sizing Hook	BV
74016423	Femoral Free Impactor	BD	71441351	JOURNEY Bone Rasp	BW
74036109	JOURNEY II UK Femoral Trial Holder	BE	74036164	Resection Guide	BX
74036159	Cement Scraper	BF	74016472	17mm Pin - Non Sterile(2x)	BY
71935186	Scott Cement Curette	BG	74036148	Pin Caddy SCD Insert	BZ
71935187	Cement Curette	BG	74036124	JOURNEY II UK General Instrument SCD Tray	
74018631	Universal Extramedullary Alignment Rod	BH	74036125	General Balancing SCD Insert	
74016438	Tibia Free Impactor	BK	74036127	General Medial Insert Trials SCD Insert	
74016422	3.5mm Locking Hex T-Handle	BL	74036146	General Spacer Resection SCD Insert	
74016461	MIS Pin Driver	BN			
74036163	Removal Hook	BP			
74016436	Insert Implant Locking Tool	BQ			
74016463	Keel Punch	BR			

*No longer in current set configuration

74014620

JOURNEY II UK General Instruments (Top)

Catalog #	Description	Label
74013766	UK Short Spacer Rail 6mm	A
74013767	UK Short Spacer Rail 7mm	B
74013768	UK Short Spacer Rail 8mm	C
74013769	UK Short Spacer Rail 9mm	D
74013770	UK Short Spacer Rail 10mm	E
74013771	UK Short Spacer Rail 11mm	F
74013772	UK Short Spacer Rail 12mm	G
74013773	UK Short Spacer Rail 13mm	H
74013788	Distal Cut Block 8.5mm	J
74013787	Distal Cut Block 7.5mm	K
74013786	Distal Cut Block 6.5mm	L
74013785	Distal Cut Block 5.5mm	M
74013784	Distal Cut Block 4.5mm	N
74013776	DROP ROD ADAPTER RM /LL	P
74013791	1mm Distal Block	Q
74013792	2mm Distal Block	R
74013775	DROP ROD ADAPTER LM/RL	S
74013753	Gap Spacer Graduated*	T
71935180	Gap Spacer	U
74013746	UK Flexion Spacer Sz 6/7mm	V
74013748	UK Flexion Spacer Sz 8/9mm	W
74013750	UK Flexion Spacer Sz 10/11mm	X
74013752	UK Flexion Spacer Sz 12/13mm	Y
74013763	UK Resected Gap Check 13mm	Z
74013762	UK Resected Gap Check 12mm	AA
74013761	UK Resected Gap Check 11mm	AB
74013760	UK Resected Gap Check 10mm	AC
74013759	UK Resected Gap Check 9mm	AD
74013758	UK Resected Gap Check 8mm	AE
74035998	JOURNEY II UK Med Tibia Insert Trial Sz 1-2 8mm	AG
74035999	JOURNEY II UK Med Tibia Insert Trial Sz 1-2 9mm	AG



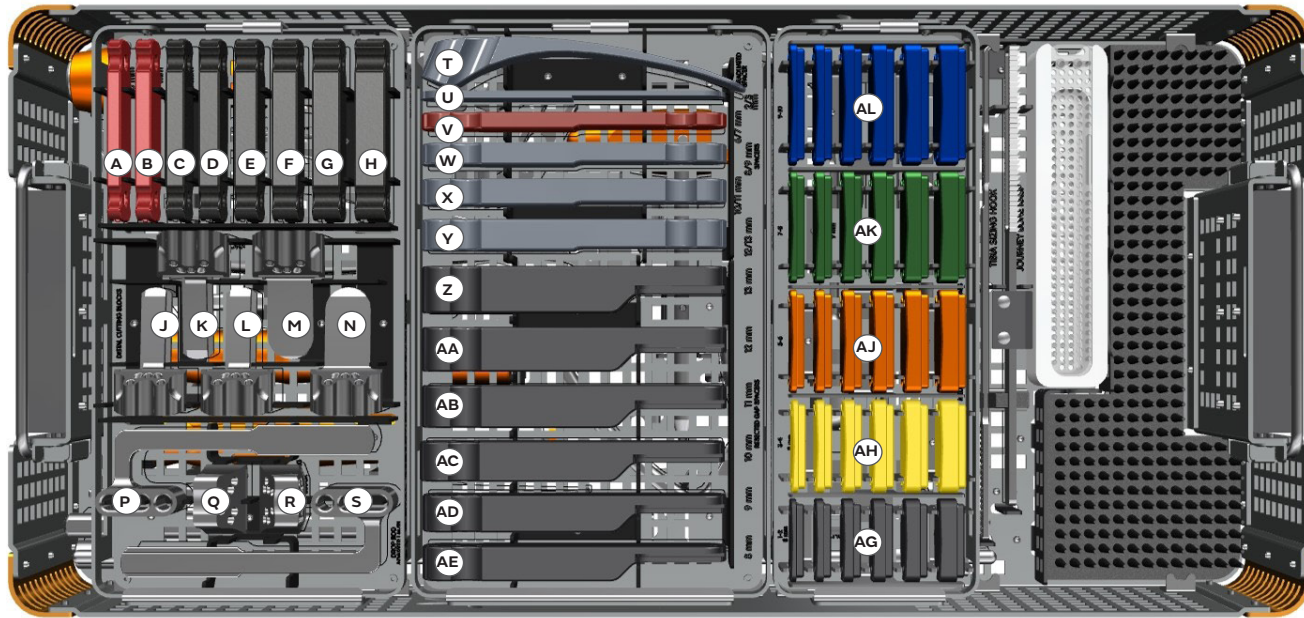
Note: In order to complete the General Instruments set, one of the Distal Tibia configurations must also be ordered.

Catalog #	Description	Label	Catalog #	Description	Label
74036000	JOURNEY II UK Med Tibia Insert Trial Sz 1-2 10mm	AG	74036039	JOURNEY II UK Med Tibia Insert Trial Sz 5-6 9mm	AJ
74036001	JOURNEY II UK Med Tibia Insert Trial Sz 1-2 11mm	AG	74036040	JOURNEY II UK Med Tibia Insert Trial Sz 5-6 10mm	AJ
74036002	JOURNEY II UK Med Tibia Insert Trial Sz 1-2 12mm	AG	74036041	JOURNEY II UK Med Tibia Insert Trial Sz 5-6 11mm	AJ
74036003	JOURNEY II UK Med Tibia Insert Trial Sz 1-2 13mm	AG	74036042	JOURNEY II UK Med Tibia Insert Trial Sz 5-6 12mm	AJ
74036018	JOURNEY II UK Med Tibia Insert Trial Sz 3-4 8mm	AH	74036043	JOURNEY II UK Med Tibia Insert Trial Sz 5-6 13mm	AJ
74036019	JOURNEY II UK Med Tibia Insert Trial Sz 3-4 9mm	AH	74036058	JOURNEY II UK Med Tibia Insert Trial Sz 7-8 8mm	AK
74036020	JOURNEY II UK Med Tibia Insert Trial Sz 3-4 10mm	AH	74036059	JOURNEY II UK Med Tibia Insert Trial Sz 7-8 9mm	AK
74036021	JOURNEY II UK Med Tibia Insert Trial Sz 3-4 11mm	AH	74036060	JOURNEY II UK Med Tibia Insert Trial Sz 7-8 10mm	AK
74036022	JOURNEY II UK Med Tibia Insert Trial Sz 3-4 12mm	AH	74036061	JOURNEY II UK Med Tibia Insert Trial Sz 7-8 11mm	AK
74036023	JOURNEY II UK Med Tibia Insert Trial Sz 3-4 13mm	AH	74036062	JOURNEY II UK Med Tibia Insert Trial Sz 7-8 12mm	AK
74036038	JOURNEY II UK Med Tibia Insert Trial Sz 5-6 8mm	AJ	74036063	JOURNEY II UK Med Tibia Insert Trial Sz 7-8 13mm	AK

*No longer in current set configuration

74014620

JOURNEY[◇] II UK General Instruments (Top) Continued

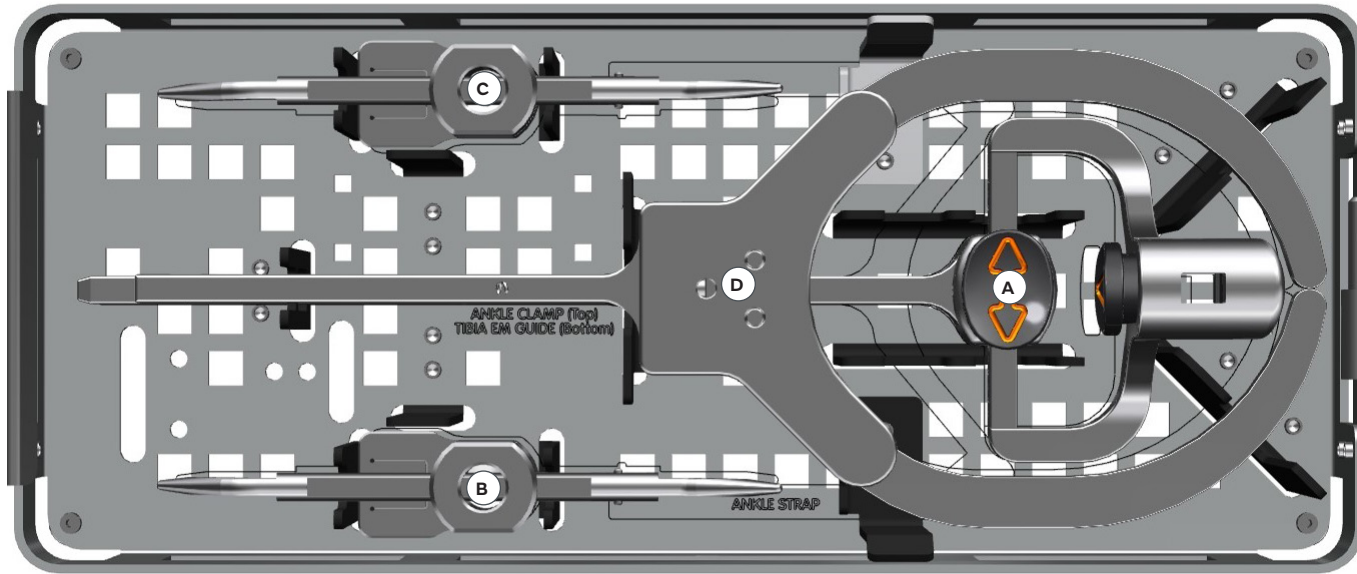


Note: In order to complete the General Instruments set, one of the Distal Tibia configurations must also be ordered.

Catalog #	Description	Label
74036078	JOURNEY II UK Med Tibia Insert Trial Sz 9-10 8mm	AL
74036079	JOURNEY II UK Med Tibia Insert Trial Sz 9-10 9mm	AL
74036080	JOURNEY II UK Med Tibia Insert Trial Sz 9-10 10mm	AL
74036081	JOURNEY II UK Med Tibia Insert Trial Sz 9-10 11mm	AL
74036082	JOURNEY II UK Med Tibia Insert Trial Sz 9-10 12mm	AL
74036083	JOURNEY II UK Med Tibia Insert Trial Sz 9-10 13mm	AL
74036067	Universal SCD Insert Lid 5	
74036068	Universal Full SCD Tray Lid	
74036071	Universal SCD Insert Lid 2	
74036073	Universal SCD Insert Lid 4	

74014621

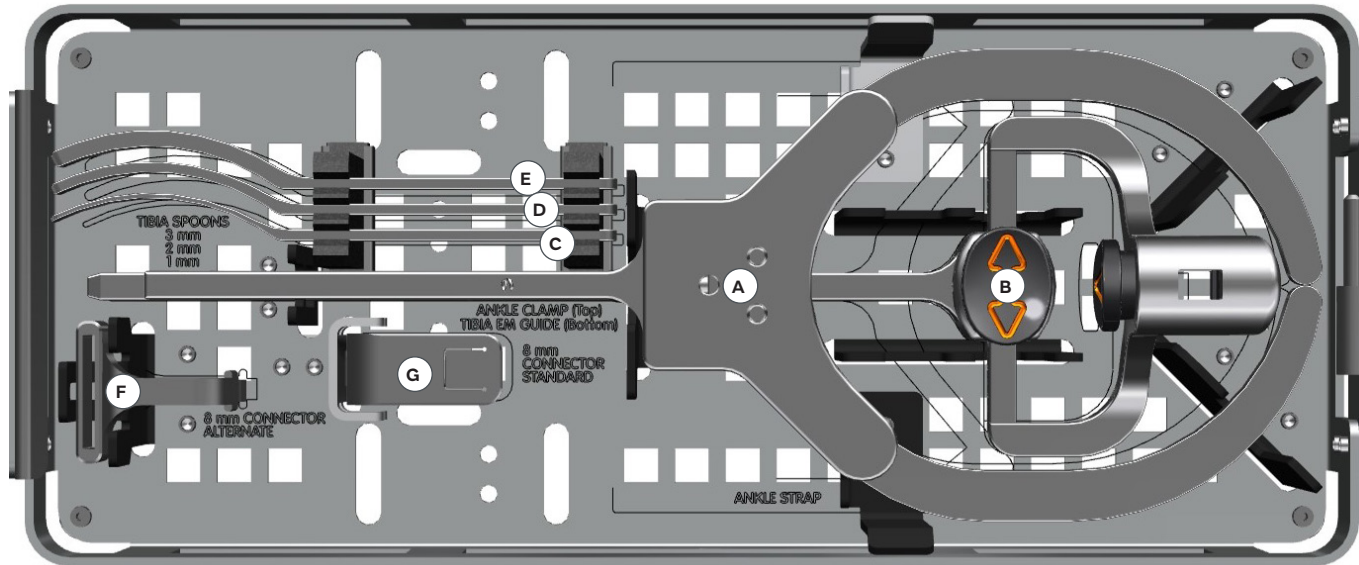
JOURNEY[◇] II UK Distal Tibia Configuration A



Catalog #	Description	Label
74036103	Tibia Alignment Adjustment Guide	A
74036122	Tibia Stylus 2/4mm	B
74036123	Tibia Stylus 3/5mm	C
74036100	Adjustable Ankle Clamp	D
74036141	General Distal Tibia SCD Insert 1	
74036070	Universal SCD Insert Lid 1	

74014622

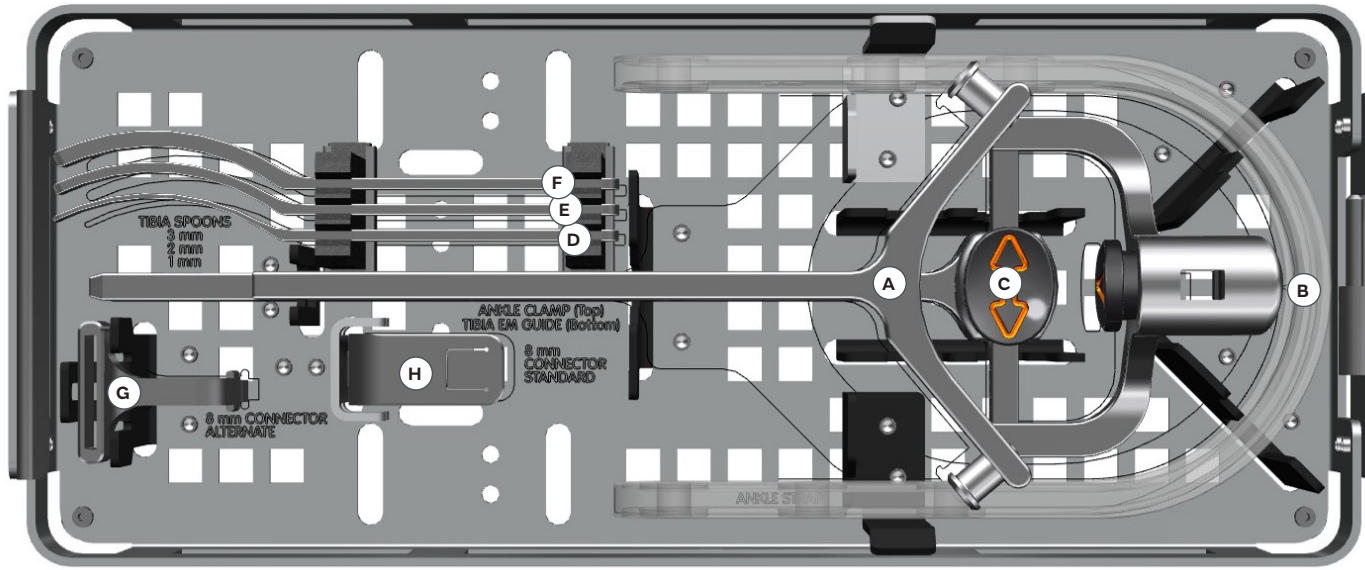
JOURNEY[◇] II UK Distal Tibia Configuration B



Catalog #	Description	Label
74036100	Adjustable Ankle Clamp	A
74036103	Tibia Alignment Adjustment Guide	B
74036131	Tibia Spoon 1mm	C
74036132	Tibia Spoon 2mm	D
74036133	Tibia Spoon 3mm	E
74036158	Tibia Connector 8mm Closed Alternate	F
74036138	Tibia Connector 8mm Closed Standard	G
74036142	General Distal Tibia SCD Insert 2	
74036070	Universal SCD Insert Lid 1	

74014623

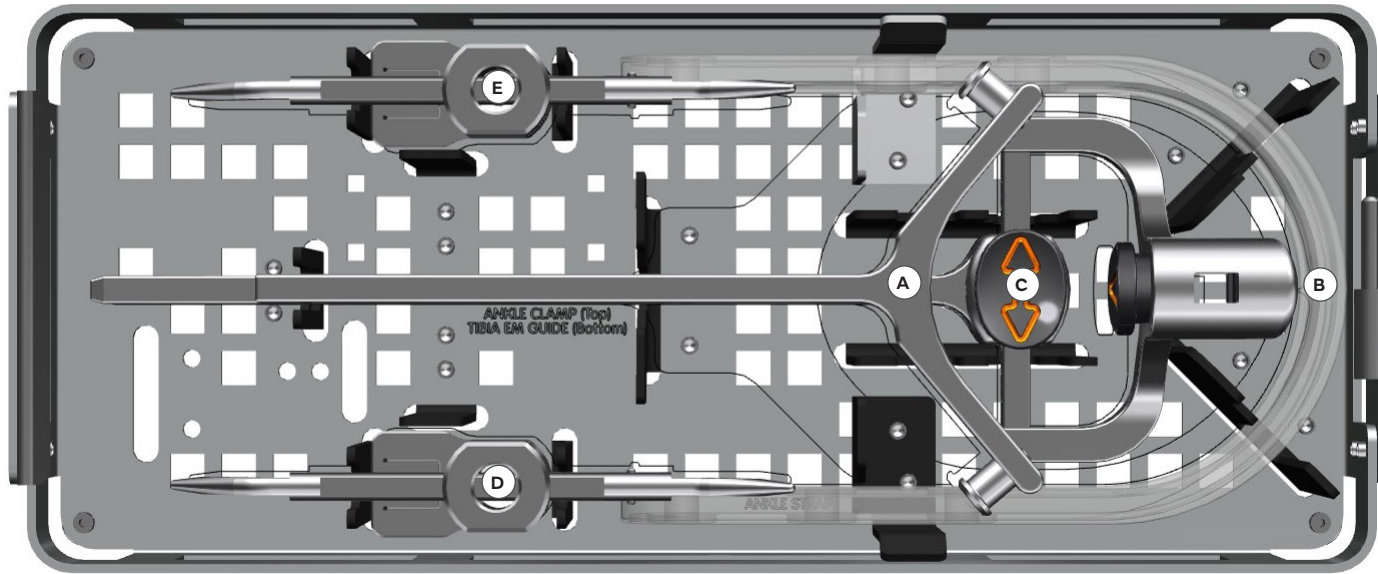
JOURNEY[◇] II UK Distal Tibia Configuration C



Catalog #	Description	Label
74036101	Fixed Ankle Clamp	A
74036102	Ankle Clamp Strap	B
74036103	Tibia Alignment Adjustment Guide	C
74036131	Tibia Spoon 1mm	D
74036132	Tibia Spoon 2mm	E
74036133	Tibia Spoon 3mm	F
74036158	Tibia Connector 8mm Closed Alternate	G
74036138	Tibia Connector 8mm Closed Standard	H
74036142	General Distal Tibia SCD Insert 2	
74036070	Universal SCD Insert Lid 1	

74014624

JOURNEY[◇] II UK Distal Tibia Configuration D

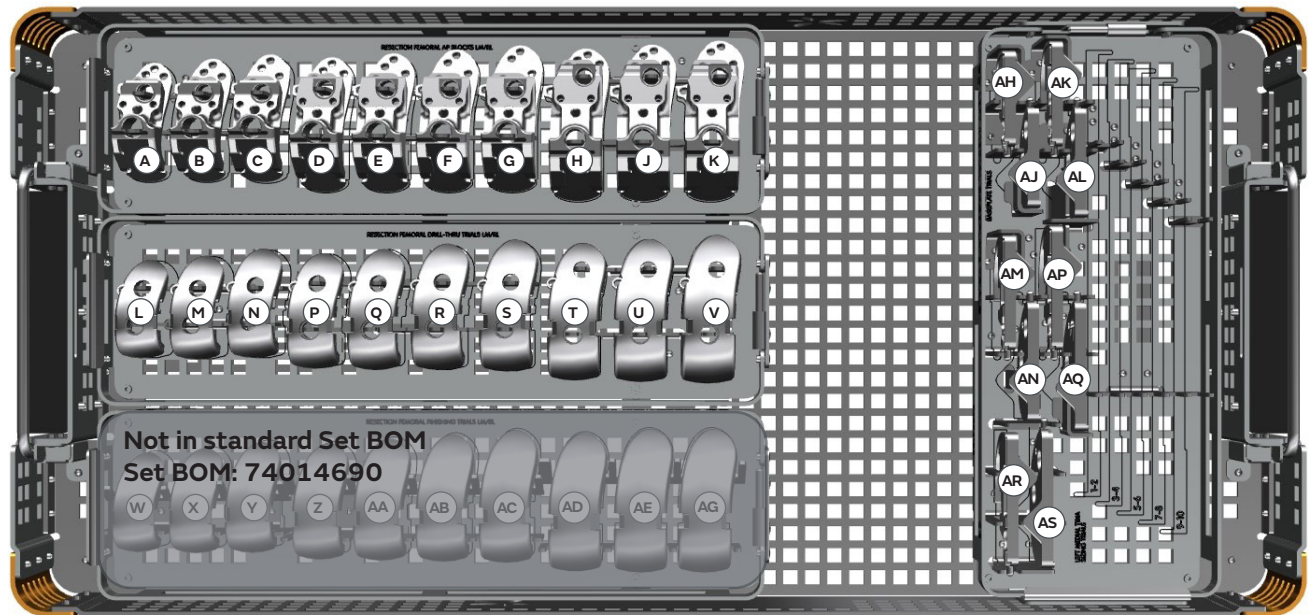


Catalog #	Description	Label
74036101	Fixed Ankle Clamp	A
74036102	Ankle Clamp Strap	B
74036103	Tibia Alignment Adjustment Guide	C
74036122	Tibia Stylus 2/4mm	D
74036123	Tibia Stylus 3/5mm	E
74036070	Universal SCD Insert Lid 1	
74036141	General Distal Tibia SCD Insert 1	

74014670

JOURNEY[◇] II UK Left Medial Instruments

Catalog #	Description	Label
74016401	JOURNEY II UK Resection AP Block LM/RL Sz 1	A
74016402	JOURNEY II UK Resection AP Block LM/RL Sz 2	B
74016403	JOURNEY II UK Resection AP Block LM/RL Sz 3	C
74016404	JOURNEY II UK Resection AP Block LM/RL Sz 4	D
74016405	JOURNEY II UK Resection AP Block LM/RL Sz 5	E
74016406	JOURNEY II UK Resection AP Block LM/RL Sz 6	F
74016407	JOURNEY II UK Resection AP Block LM/RL Sz 7	G
74016408	JOURNEY II UK Resection AP Block LM/RL Sz 8	H
74016409	JOURNEY II UK Resection AP Block LM/RL Sz 9	J
74016410	JOURNEY II UK Resection AP Block LM/RL Sz 10	K
74035821	JOURNEY II UK Resection Prep Trial LM/RL Sz 1	L
74035822	JOURNEY II UK Resection Prep Trial LM/RL Sz 2	M
74035823	JOURNEY II UK Resection Prep Trial LM/RL Sz 3	N
74035824	JOURNEY II UK Resection Prep Trial LM/RL Sz 4	P
74035825	JOURNEY II UK Resection Prep Trial LM/RL Sz 5	Q
74035826	JOURNEY II UK Resection Prep Trial LM/RL Sz 6	R
74035827	JOURNEY II UK Resection Prep Trial LM/RL Sz 7	S
74035828	JOURNEY II UK Resection Prep Trial LM/RL Sz 8	T
74035829	JOURNEY II UK Resection Prep Trial LM/RL Sz 9	U
74035830	JOURNEY II UK Resection Prep Trial LM/RL Sz 10	V
74035801	JOURNEY II UK Resection Finishing Trial LM/RL Sz 1†	W
74035802	JOURNEY II UK Resection Finishing Trial LM/RL Sz 2†	X
74035803	JOURNEY II UK Resection Finishing Trial LM/RL Sz 3†	Y
74035804	JOURNEY II UK Resection Finishing Trial LM/RL Sz 4†	Z
74035805	JOURNEY II UK Resection Finishing Trial LM/RL Sz 5†	AA
74035806	JOURNEY II UK Resection Finishing Trial LM/RL Sz 6†	AB
74035807	JOURNEY II UK Resection Finishing Trial LM/RL Sz 7†	AC
74035808	JOURNEY II UK Resection Finishing Trial LM/RL Sz 8†	AD
74035809	JOURNEY II UK Resection Finishing Trial LM/RL Sz 9†	AE
74035810	JOURNEY II UK Resection Finishing Trial LM/RL Sz 10†	AG
74035841	JOURNEY II UK Left Medial Tibia Baseplate Trial Sz 1	AH
74035842	JOURNEY II UK Left Medial Tibia Baseplate Trial Sz 2	AJ
74035843	JOURNEY II UK Left Medial Tibia Baseplate Trial Sz 3	AK



Note: In order to complete this set, either of the two JOURNEY II UK Medial Tibia Sizing Trial options, and one of the two LM/RL Proximal Tibia configurations, must also be ordered.

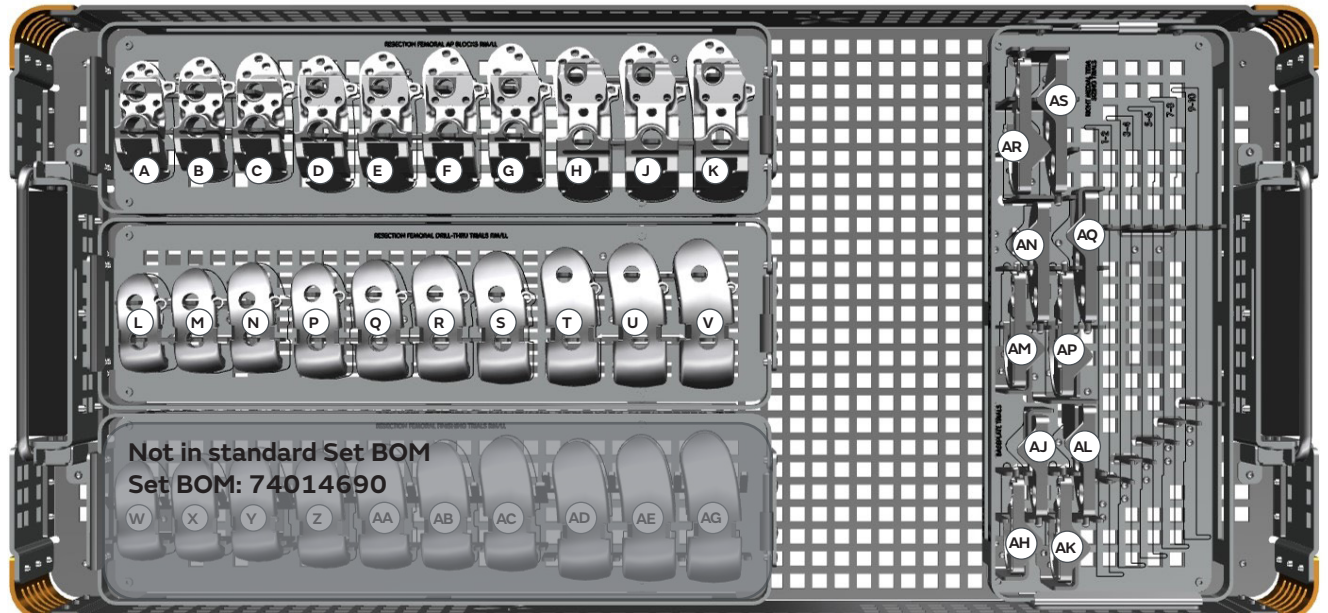
Catalog #	Description	Label	Catalog #	Description	Label
74035844	JOURNEY II UK Left Medial Tibia Baseplate Trial Sz 4	AL	74036185	LM Baseplate Trial SCD Insert	
74035845	JOURNEY II UK Left Medial Tibia Baseplate Trial Sz 5	AM			
74035846	JOURNEY II UK Left Medial Tibia Baseplate Trial Sz 6	AN			
74035847	JOURNEY II UK Left Medial Tibia Baseplate Trial Sz 7	AP			
74035848	JOURNEY II UK Left Medial Tibia Baseplate Trial Sz 8	AQ			
74035849	JOURNEY II UK Left Medial Tibia Baseplate Trial Sz 9	AR			
74035850	JOURNEY II UK Left Medial Tibia Baseplate Trial Sz 10	AS			
74036068	Universal Full SCD Tray Lid				
74036070	Universal SCD Insert Lid 1				
74036072	Universal SCD Insert Lid 3 (3x)				
74036172	JOURNEY II UK Medial LM/RL SCD Tray				
74036173	Medial LM/RL Femoral Cutting Block SCD Insert				
74036174	Medial LM/RL Femoral Finishing Trials SCD Insert†				
74036175	Medial LM/RL Ream Thru Femoral Trials SCD Insert				
74036176	Medial Utility SCD Insert				

†Femoral Finishing Trials no longer in current set configuration. They can be ordered as an add-on set. (74014690)

74014680

JOURNEY[◇] II UK Right Medial Instruments

Catalog #	Description	Label
74016411	JOURNEY II UK Resection AP Block RM/LL Sz 1	A
74016412	JOURNEY II UK Resection AP Block RM/LL Sz 2	B
74016413	JOURNEY II UK Resection AP Block RM/LL Sz 3	C
74016414	JOURNEY II UK Resection AP Block RM/LL Sz 4	D
74016415	JOURNEY II UK Resection AP Block RM/LL Sz 5	E
74016416	JOURNEY II UK Resection AP Block RM/LL Sz 6	F
74016417	JOURNEY II UK Resection AP Block RM/LL Sz 7	G
74016418	JOURNEY II UK Resection AP Block RM/LL Sz 8	H
74016419	JOURNEY II UK Resection AP Block RM/LL Sz 9	J
74016420	JOURNEY II UK Resection AP Block RM/LL Sz 10	K
74035831	JOURNEY II UK Resection Prep Trial RM/LL Sz 1	L
74035832	JOURNEY II UK Resection Prep Trial RM/LL Sz 2	M
74035833	JOURNEY II UK Resection Prep Trial RM/LL Sz 3	N
74035834	JOURNEY II UK Resection Prep Trial RM/LL Sz 4	P
74035835	JOURNEY II UK Resection Prep Trial RM/LL Sz 5	Q
74035836	JOURNEY II UK Resection Prep Trial RM/LL Sz 6	R
74035837	JOURNEY II UK Resection Prep Trial RM/LL Sz 7	S
74035838	JOURNEY II UK Resection Prep Trial RM/LL Sz 8	T
74035839	JOURNEY II UK Resection Prep Trial RM/LL Sz 9	U
74035840	JOURNEY II UK Resection Prep Trial RM/LL Sz 10	V
74035811	JOURNEY II UK Resection Finishing Trial RM/LL Sz 1 [†]	W
74035812	JOURNEY II UK Resection Finishing Trial RM/LL Sz 2 [†]	X
74035813	JOURNEY II UK Resection Finishing Trial RM/LL Sz 3 [†]	Y
74035814	JOURNEY II UK Resection Finishing Trial RM/LL Sz 4 [†]	Z
74035815	JOURNEY II UK Resection Finishing Trial RM/LL Sz 5 [†]	AA
74035816	JOURNEY II UK Resection Finishing Trial RM/LL Sz 6 [†]	AB
74035817	JOURNEY II UK Resection Finishing Trial RM/LL Sz 7 [†]	AC
74035818	JOURNEY II UK Resection Finishing Trial RM/LL Sz 8 [†]	AD
74035819	JOURNEY II UK Resection Finishing Trial RM/LL Sz 9 [†]	AE
74035820	JOURNEY II UK Resection Finishing Trial RM/LL Sz 10 [†]	AG
74035851	JOURNEY II UK Right Medial Tibia Baseplate Trial Sz 1	AH
74035852	JOURNEY II UK Right Medial Tibia Baseplate Trial Sz 2	AJ
74035853	JOURNEY II UK Right Medial Tibia Baseplate Trial Sz 3	AK



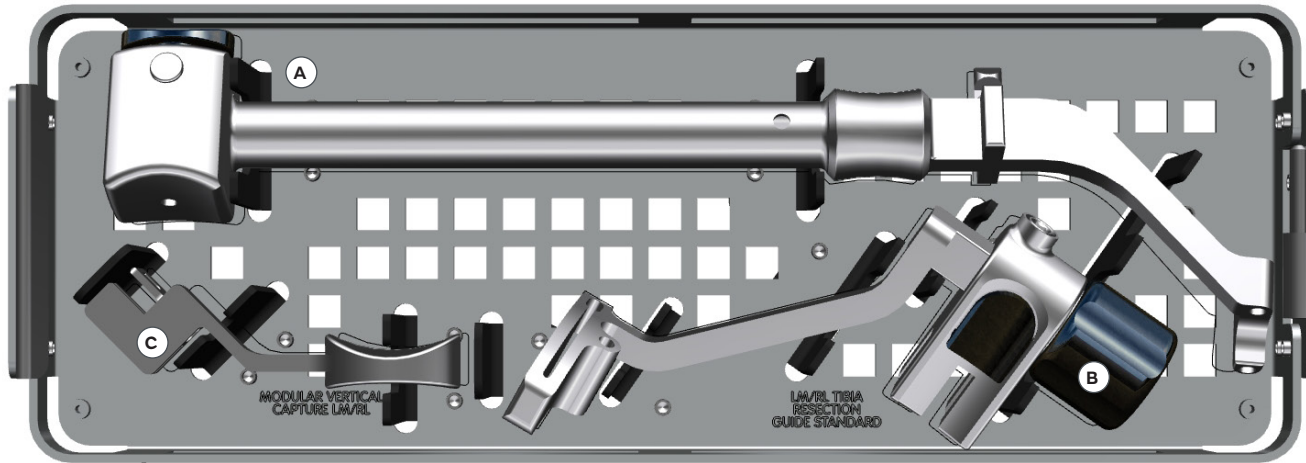
Note: In order to complete this set, either of the two JOURNEY II UK Medial Tibia Sizing Trial options, and one of the two RM/LL Proximal Tibia configurations, must also be ordered.

Catalog #	Description	Label	Catalog #	Description	Label
74035854	JOURNEY II UK Right Medial Tibia Baseplate Trial Sz 4	AL	74036191	Medial RM/LL Ream Thru Femoral Trials SCD Insert	
74035855	JOURNEY II UK Right Medial Tibia Baseplate Trial Sz 5	AM			
74035856	JOURNEY II UK Right Medial Tibia Baseplate Trial Sz 6	AN			
74035857	JOURNEY II UK Right Medial Tibia Baseplate Trial Sz 7	AP			
74035858	JOURNEY II UK Right Medial Tibia Baseplate Trial Sz 8	AQ			
74035859	JOURNEY II UK Right Medial Tibia Baseplate Trial Sz 9	AR			
74035860	JOURNEY II UK Right Medial Tibia Baseplate Trial Sz 10	AS			
74036068	Universal Full SCD Tray Lid				
74036070	Universal SCD Insert Lid 1				
74036072	Universal SCD Insert Lid 3 (3x)				
74036176	Medial Utility SCD Insert				
74036187	RM Baseplate Trial SCD Insert				
74036188	JOURNEY II UK Medial RM/LL SCD Tray				
74036189	Medial RM/LL Femoral Cutting Block SCD Insert				
74036190	Medial RM/LL Femoral Finishing Trials SCD Insert [†]				

[†]Femoral Finishing Trials no longer in current set configuration. They can be ordered as an add-on set. (74014690)

74014651

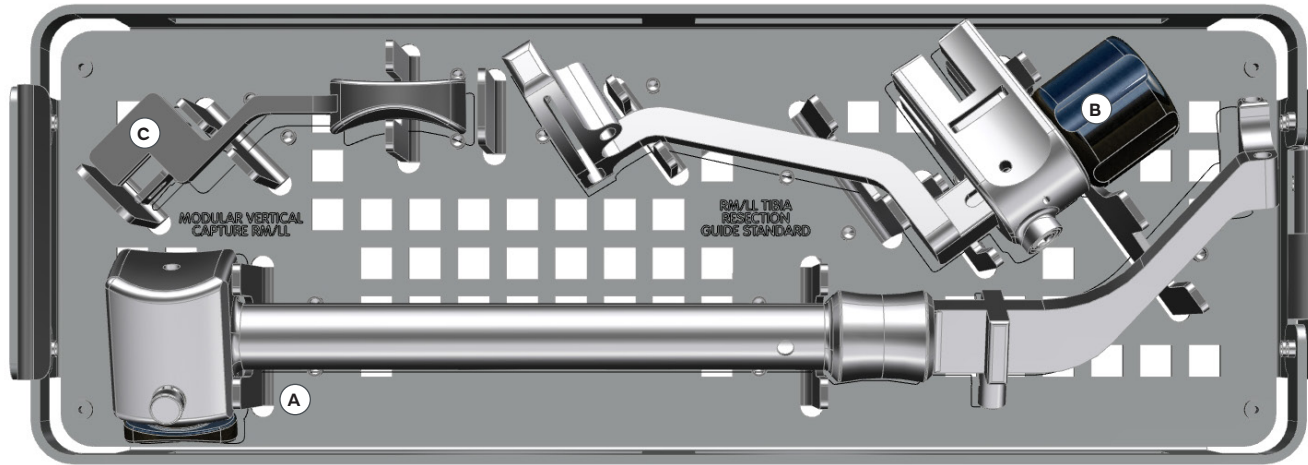
JOURNEY[◇] II UK Proximal Tibia Standard Configuration LM/RL



Catalog #	Description	Label
74036104	LM/RL Tibia Alignment Guide	A
74036106	LM/RL Tibia Resection Guide Standard	B
74036110	Modular Vertical Capture Left Medial/ Right Lateral	C
74036071	Universal SCD Insert Lid 2	
74036181	Medial Proximal Tibia SCD Insert 1	

74014652

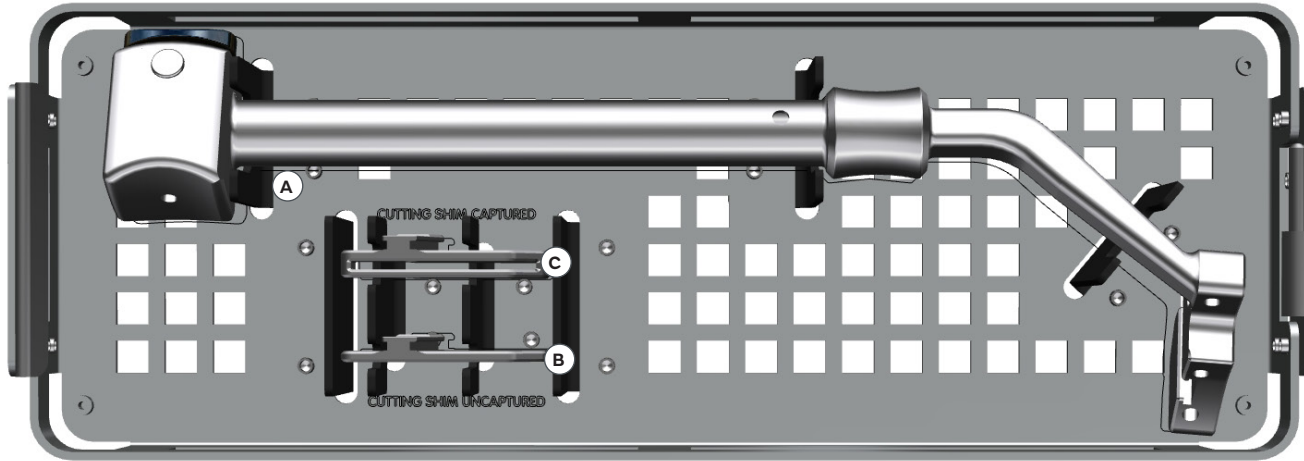
JOURNEY[◇] II UK Proximal Tibia Standard Configuration RM/LL



Catalog #	Description	Label
74036105	RM/LL Tibia Alignment Guide	A
74036107	RM/LL Tibia Resection Guide Standard	B
74036111	Modular Vertical Capture Right Medial/ Left Lateral	C
74036071	Universal SCD Insert Lid 2	
74036192	Medial Proximal Tibia SCD Insert 2	

74014653

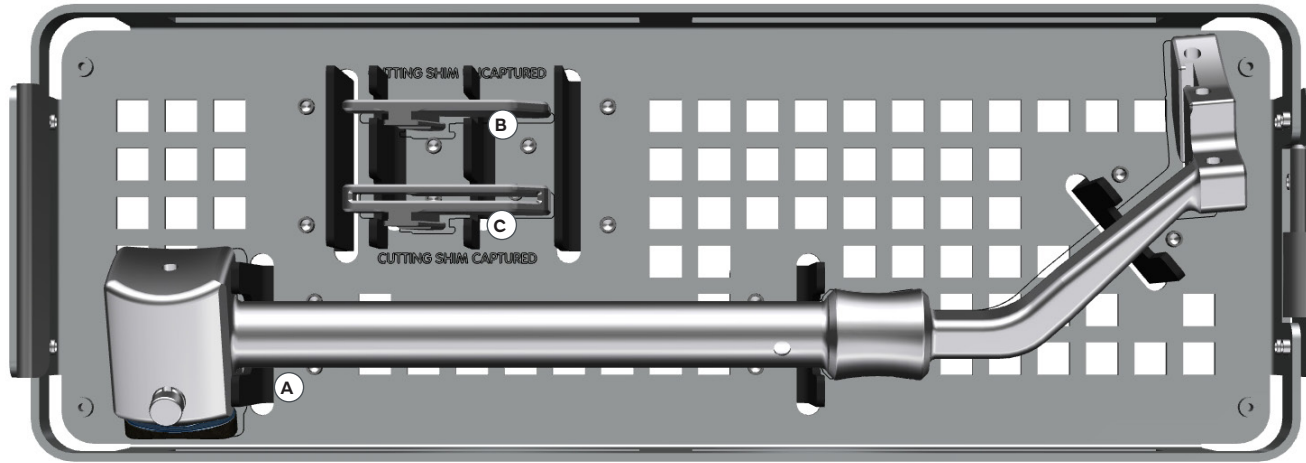
JOURNEY[◇] II UK Proximal Tibia Alternate Configuration LM/RL



Catalog #	Description	Label
74036112	LM/RL Tibia Resection Guide Alternate	A
74036114	LM/RL Modular Shim Uncaptured	B
74036115	LM/RL Modular Shim Captured	C
74036071	Universal SCD Insert Lid 2	
74036183	Medial Proximal Tibia SCD Insert 3	

74014654

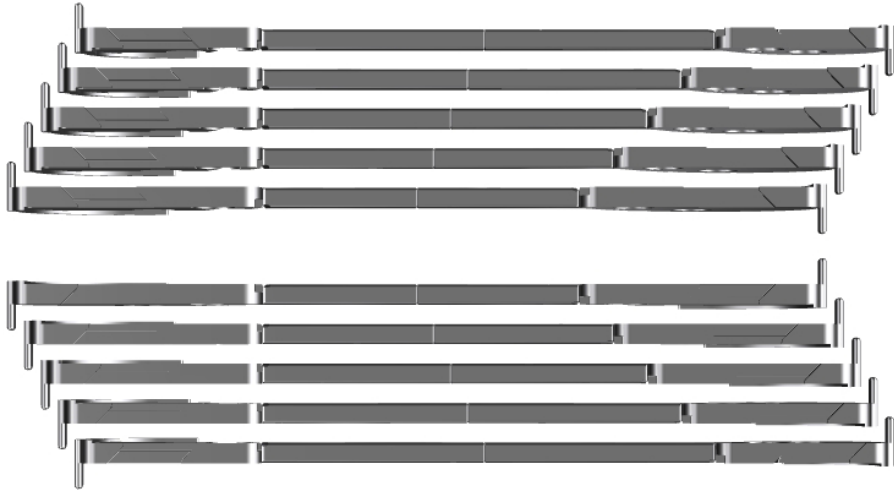
JOURNEY[◇] II UK Proximal Tibia Alternate Configuration RM/LL



Catalog #	Description	Label
74036113	RM/LL Tibia Resection Guide Alternate	A
74036116	RM/LL Modular Shim Uncaptured	B
74036117	RM/LL Modular Shim Captured	C
74036071	Universal SCD Insert Lid 2	
74036194	Medial Proximal Tibia SCD Insert 4	

74014655

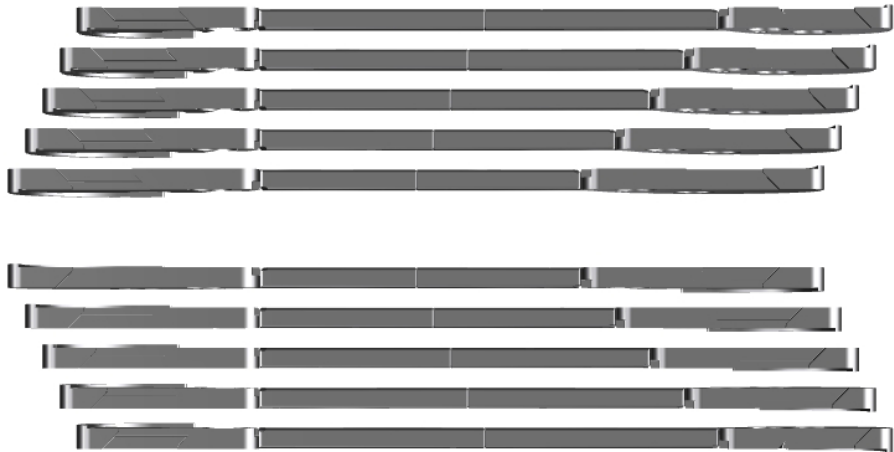
JOURNEY[◇] II UK Medial Tibia Sizing Trials with Hook



Catalog #	Description
74035921	JOURNEY II UK Left Medial Tibia Sizing Trial w/ Hook Sz 1-2
74035923	JOURNEY II UK Left Medial Tibia Sizing Trial w/ Hook Sz 3-4
74035925	JOURNEY II UK Left Medial Tibia Sizing Trial w/ Hook Sz 5-6
74035927	JOURNEY II UK Left Medial Tibia Sizing Trial w/ Hook Sz 7-8
74035929	JOURNEY II UK Left Media Tibia Sizing Trial w/Hook Sz 9-10
74035931	JOURNEY II UK Right Medial Tibia Sizing Trial w/ Hook Sz 1-2
74035933	JOURNEY II UK Right Medial Tibia Sizing Trial w/ Hook Sz 3-4
74035935	JOURNEY II UK Right Medial Tibia Sizing Trial w/ Hook Sz 5-6
74035937	JOURNEY II UK Right Medial Tibia Sizing Trial w/ Hook Sz 7-8
74035939	JOURNEY II UK Right Media Tibia Sizing Trial w/Hook Sz 9-10

74014656

JOURNEY[◇] II UK Medial Tibia Sizing Trials without Hook

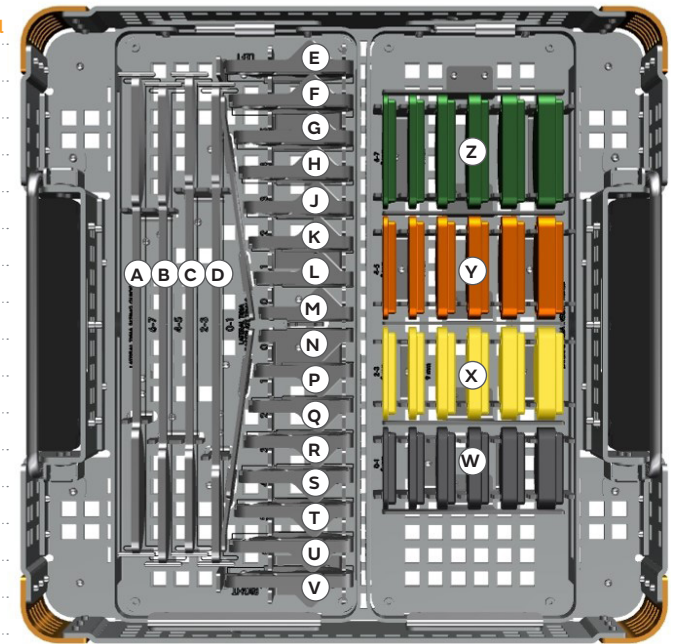


Catalog #	Description
74035900	JOURNEY II UK Right Medial Tibia Sizing Trial Sz 1-2
74035901	JOURNEY II UK Right Medial Tibia Sizing Trial Sz 3-4
74035903	JOURNEY II UK Right Medial Tibia Sizing Trial Sz 5-6
74035905	JOURNEY II UK Right Medial Tibia Sizing Trial Sz 7-8
74035907	JOURNEY II UK Right Medial Tibia Sizing Trial Sz 9-10
74035910	JOURNEY II UK Left Medial Tibia Sizing Trial Sz 1-2
74035911	JOURNEY II UK Left Medial Tibia Sizing Trial Sz 3-4
74035913	JOURNEY II UK Left Medial Tibia Sizing Trial Sz 5-6
74035915	JOURNEY II UK Left Medial Tibia Sizing Trial Sz 7-8
74035917	JOURNEY II UK Left Medial Tibia Sizing Trial Sz 9-10

74014640

JOURNEY[◇] II UK Lateral Tibia Instrument Set

Catalog #	Description	Label	Catalog #	Description	Label
74035877	JOURNEY II UK Symm Lateral Tibia Sizing Guide 6-7	A	74036028	JOURNEY II UK Lat Tibia Insert Trial Sz 4-5 9mm	Y
74035875	JOURNEY II UK Symm Lateral Tibia Sizing Guide 4-5	B	74036029	JOURNEY II UK Lat Tibia Insert Trial Sz 4-5 10mm	Y
74035873	JOURNEY II UK Symm Lateral Tibia Sizing Guide 2-3	C	74036030	JOURNEY II UK Lat Tibia Insert Trial Sz 4-5 11mm	Y
74035871	JOURNEY II UK Symm Lateral Tibia Sizing Guide 0-1	D	74036031	JOURNEY II UK Lat Tibia Insert Trial Sz 4-5 12mm	Y
74035897	JOURNEY II UK Left Lateral Tibia Baseplate Trial Sz 7	E	74036032	JOURNEY II UK Lat Tibia Insert Trial Sz 4-5 13mm	Y
74035896	JOURNEY II UK Left Lateral Tibia Baseplate Trial Sz 6	F	74036047	JOURNEY II UK Lat Tibia Insert Trial Sz 6-7 8mm	Z
74035895	JOURNEY II UK Left Lateral Tibia Baseplate Trial Sz 5	G	74036048	JOURNEY II UK Lat Tibia Insert Trial Sz 6-7 9mm	Z
74035894	JOURNEY II UK Left Lateral Tibia Baseplate Trial Sz 4	H	74036049	JOURNEY II UK Lat Tibia Insert Trial Sz 6-7 10mm	Z
74035893	JOURNEY II UK Left Lateral Tibia Baseplate Trial Sz 3	J	74036050	JOURNEY II UK Lat Tibia Insert Trial Sz 6-7 11mm	Z
74035892	JOURNEY II UK Left Lateral Tibia Baseplate Trial Sz 2	K	74036051	JOURNEY II UK Lat Tibia Insert Trial Sz 6-7 12mm	Z
74035891	JOURNEY II UK Left Lateral Tibia Baseplate Trial Sz 1	L	74036052	JOURNEY II UK Lat Tibia Insert Trial Sz 6-7 13mm	Z
74035890	JOURNEY II UK Left Lateral Tibia Baseplate Trial Sz 0	M	74036069	Universal Half SCD Tray Lid	
74035880	JOURNEY II UK Right Lateral Tibia Baseplate Trial Sz 0	N	74036070	Universal SCD Insert Lid 1	
74035881	JOURNEY II UK Right Lateral Tibia Baseplate Trial Sz 1	P	74036071	Universal SCD Insert Lid 2	
74035882	JOURNEY II UK Right Lateral Tibia Baseplate Trial Sz 2	Q	74036171	JOURNEY II UK Lateral Instrument SCD Tray	
74035883	JOURNEY II UK Right Lateral Tibia Baseplate Trial Sz 3	R	74036196	Lateral Baseplate Trial SCD Insert	
74035884	JOURNEY II UK Right Lateral Tibia Baseplate Trial Sz 4	S	74036198	Lateral Insert Trial SCD Insert	
74035885	JOURNEY II UK Right Lateral Tibia Baseplate Trial Sz 5	T			
74035886	JOURNEY II UK Right Lateral Tibia Baseplate Trial Sz 6	U			
74035887	JOURNEY II UK Right Lateral Tibia Baseplate Trial Sz 7	V			
74035987	JOURNEY II UK Lat Tibia Insert Trial Sz 0-1 8mm	W			
74035988	JOURNEY II UK Lat Tibia Insert Trial Sz 0-1 9mm	W			
74035989	JOURNEY II UK Lat Tibia Insert Trial Sz 0-1 10mm	W			
74035990	JOURNEY II UK Lat Tibia Insert Trial Sz 0-1 11mm	W			
74035991	JOURNEY II UK Lat Tibia Insert Trial Sz 0-1 12mm	W			
74035992	JOURNEY II UK Lat Tibia Insert Trial Sz 0-1 13mm	W			
74036007	JOURNEY II UK Lat Tibia Insert Trial Sz 2-3 8mm	X			
74036008	JOURNEY II UK Lat Tibia Insert Trial Sz 2-3 9mm	X			
74036009	JOURNEY II UK Lat Tibia Insert Trial Sz 2-3 10mm	X			
74036010	JOURNEY II UK Lat Tibia Insert Trial Sz 2-3 11mm	X			
74036011	JOURNEY II UK Lat Tibia Insert Trial Sz 2-3 12mm	X			
74036012	JOURNEY II UK Lat Tibia Insert Trial Sz 2-3 13mm	X			
74036027	JOURNEY II UK Lat Tibia Insert Trial Sz 4-5 8mm	Y			



Products may not be available in all markets because product availability is subject to the regulatory and/or medical practices in individual markets. Please contact your Smith+Nephew representative or distributor if you have questions about the availability of Smith+Nephew products in your area.

Smith & Nephew, Inc.
1450 Brooks Road
Memphis, Tennessee 38116
USA

www.smith-nephew.com
Telephone: 1-901-396-2121
Information: 1-800-821-5700
Orders/Inquiries: 1-800-238-7538

°Trademark of Smith+Nephew
All Trademarks acknowledged
© 2023 Smith+Nephew
19101 V3 08/23