

# System Specification Guide

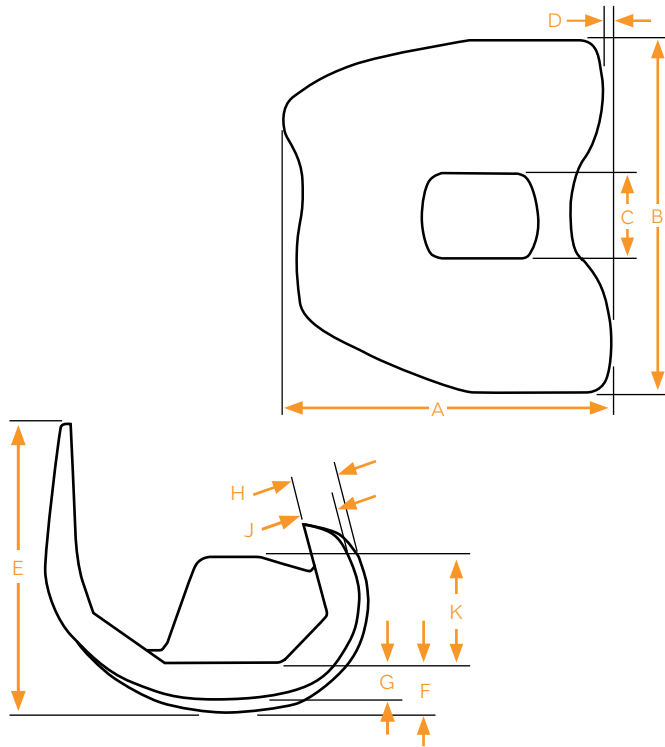


**Smith+Nephew**

JOURNEY<sup>◇</sup> II  
Total Knee Arthroplasty

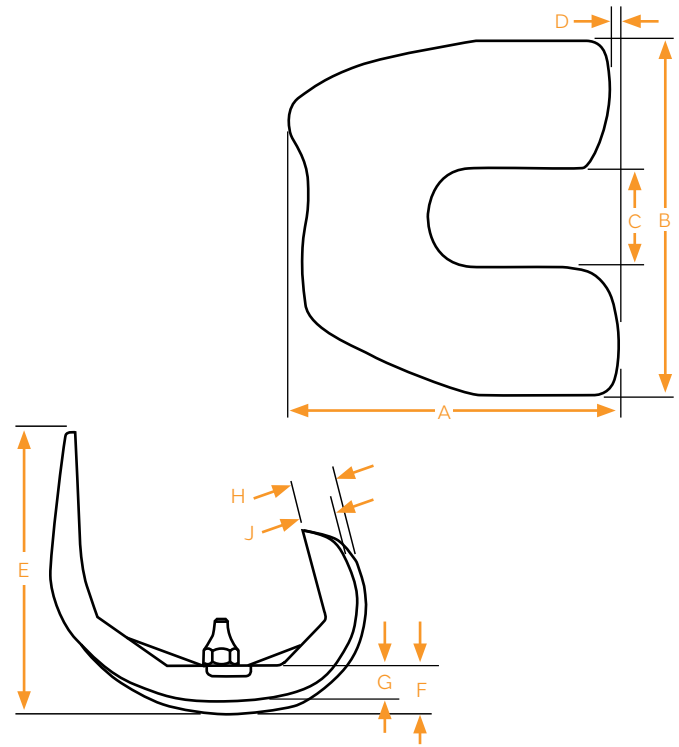
# Femoral component dimensions (mm)

## JOURNEY<sup>◇</sup> II BCS



Size	A	B	C	D	E	F	G	H	J	K
1	51.7	59.0	16.5	1.7	49.5	9.5	7	9	7.4	16.0
2	53.7	60.0	16.5	1.7	50.7	9.5	7	9	7.4	17.0
3	56.7	61.5	16.5	1.7	52.5	9.5	7	9	7.4	17.0
4	59.7	64.5	16.5	1.7	54.3	9.5	7	9	7.4	20.5
5	62.7	67.5	16.5	1.7	56.0	9.5	7	9	7.4	20.5
6	65.7	70.5	16.5	1.8	57.7	9.5	7	9	7.4	22.0
7	68.8	73.5	16.5	1.8	59.5	9.5	7	9	7.4	22.0
8	71.8	76.0	16.5	1.8	61.2	9.5	7	9	7.4	22.0
9	75.8	80.0	16.5	1.8	63.5	11.5	9	11	9.4	22.8
10	79.8	82.0	16.5	1.8	65.7	11.5	9	11	9.4	22.8

## JOURNEY<sup>◇</sup> II CR



Size	A	B	C	D	E	F	G	H	J
1	51.7	59.0	19	1.7	49.5	9.5	7	9	7.4
2	53.7	60.0	19	1.7	50.7	9.5	7	9	7.4
3	56.7	61.5	19	1.7	52.5	9.5	7	9	7.4
4	59.7	64.5	19	1.7	54.3	9.5	7	9	7.4
5	62.7	67.5	19	1.7	56.0	9.5	7	9	7.4
6	65.7	70.5	19	1.8	57.7	9.5	7	9	7.4
7	68.8	73.5	19	1.8	59.5	9.5	7	9	7.4
8	71.8	76.0	19	1.8	61.2	9.5	7	9	7.4
9	75.8	80.0	19	1.8	63.5	11.5	9	11	9.4
10	79.8	82.0	19	1.8	65.7	11.5	9	11	9.4

# Femoral component dimensions (mm) *continued*

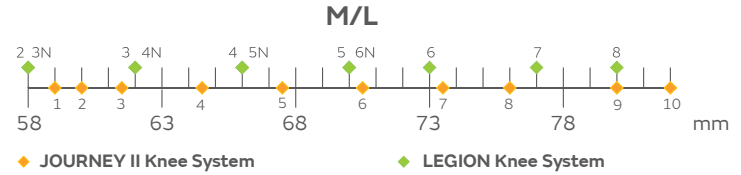
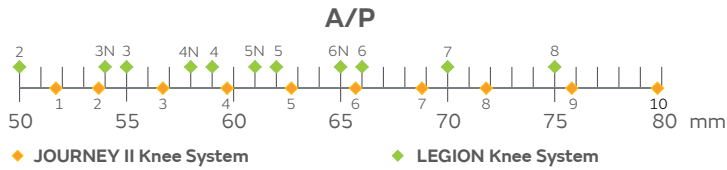
## JOURNEY<sup>◇</sup> II vs LEGION<sup>◇</sup>

### Femoral sizing guide A/P

JOURNEY II		LEGION	
Size	(mm)	Size	(mm)
1	51.7	2	50.0
2	53.7	3N	54.0
3	56.7	3	55.0
4	59.7	4N	58.0
5	62.7	4	59.0
6	65.7	5N	61.0
7	68.8	5	62.0
8	71.8	6N	65.0
9	75.8	6	66.0
10	79.8	7	70.0
		8	75.0

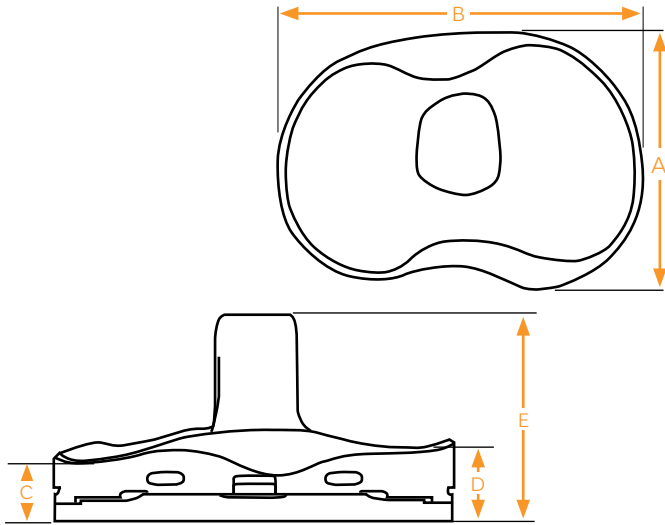
### Femoral sizing guide M/L

JOURNEY <sup>◇</sup> II		LEGION <sup>◇</sup>	
Size	(mm)	Size	(mm)
1	59.0	2	58.0
2	60.0	3N	58.0
3	61.5	3	62.0
4	64.5	4N	62.0
5	67.5	4	66.0
6	70.5	5N	66.0
7	73.5	5	70.0
8	76.0	6N	70.0
9	80.0	6	73.0
10	82.0	7	77.0
		8	80.0



## Tibial insert dimensions (mm)

### JOURNEY<sup>◇</sup> II BCS



9mm Insert	Anterior posterior A	Medial Lateral B	Medial Thickness* C	Lateral Thickness* D	Post- Height* E
Sz 1-2	42	60	9.6	11.9	34.1
Sz 3-4	48	68	9.6	11.9	35.1
Sz 5-6	52	74	9.6	11.9	38.6
Sz 7-8	56	81	9.6	11.9	40.1

Minimum polyethylene thickness for a 9mm metal-backed component is 6.7mm on the medial side.

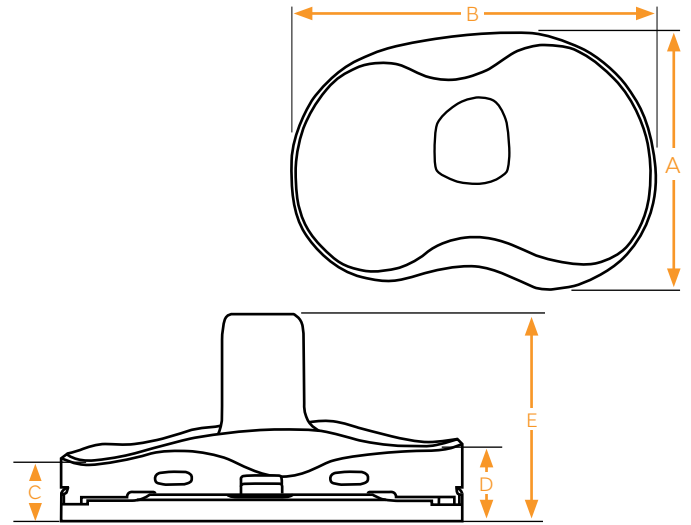
\*Baseplate thickness included.

### Insert offering/compatibility

Insert Size	Femoral Size									
	1	2	3	4	5	6	7	8	9	10
1-2	●	●	●	●						
3-4		●	●	●	●	●				
5-6				●	●	●	●	●	●	
7-8*						●	●	●	●	●

\*Size 7-8 tibia inserts can also be used with size 9 tibia baseplates.

### JOURNEY<sup>◇</sup> II Articular Stabilized (AS)



9mm Insert	Anterior posterior A	Medial Lateral B	Medial Thickness* C	Lateral Thickness* D	Post- Height* E
Sz 1-2	42	60	9.6	12.1	34.1
Sz 3-4	48	68	9.6	12.1	35.1
Sz 5-6	52	74	9.6	12.1	38.6
Sz 7-8	56	81	9.6	12.1	40.1

Minimum polyethylene thickness for a 9mm metal-backed component is 6.7mm on the medial side.

\*Baseplate thickness included.

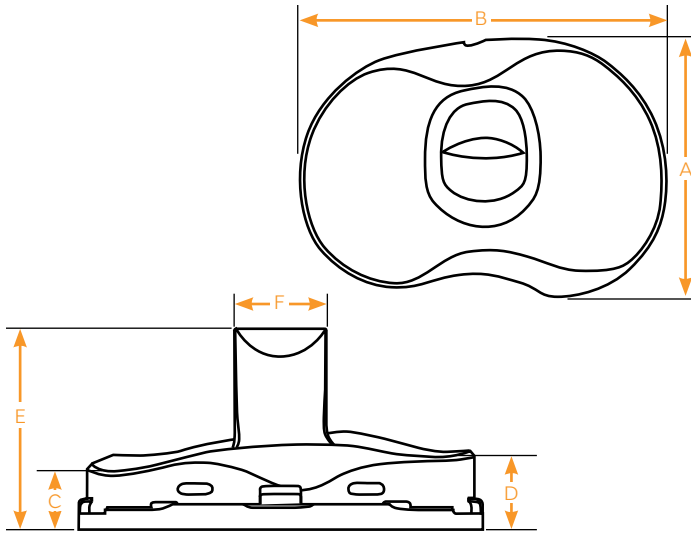
### Insert offering/compatibility

Insert Size	Femoral Size									
	1	2	3	4	5	6	7	8	9	10
1-2	●	●	●	●						
3-4		●	●	●	●	●				
5-6				●	●	●	●	●	●	
7-8*						●	●	●	●	●

\*Size 7-8 tibia inserts can also be used with size 9 tibia baseplates.

## Tibial insert dimensions (mm) *continued*

### JOURNEY<sup>◇</sup> II Constrained



	Anterior-posterior	Medial-Lateral	Medial Thickness*	Lateral Thickness*	Post-Height*	Post-Width
9mm Insert	A	B	C	D	E	F
Sz 1-2	42	60	9.6	12.1	34.1	16.1
Sz 3-4	48	68	9.6	12.1	35.3	16.1
Sz 5-6	52	74	9.6	12.1	38.6	16.1
Sz 7-8	56	81	9.6	12.1	40.1	16.1

Minimum polyethylene thickness for a 9mm metal-backed component is 6.7mm on the medial side.

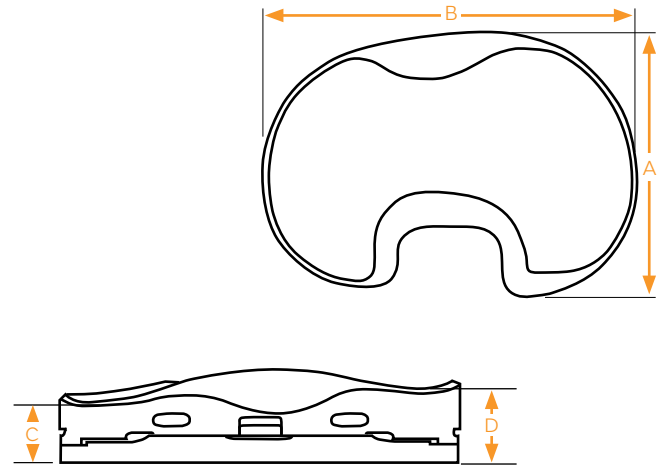
\*Baseplate thickness included.

### Insert offering/compatibility

Insert Size	Femoral Size									
	1	2	3	4	5	6	7	8	9	10
1-2	●	●	●	●						
3-4		●	●	●	●	●				
5-6				●	●	●	●	●	●	
7-8*						●	●	●	●	●

\*Size 7-8 tibia inserts can also be used with size 9 tibia baseplates.

### JOURNEY<sup>◇</sup> II CR



	Anterior-posterior	Medial-Lateral	Medial Thickness*	Lateral Thickness*
9mm Insert	A	B	C	D
Sz 1-2	42	60	9.6	12.0
Sz 3-4	48	68	9.6	12.0
Sz 5-6	52	74	9.6	11.9
Sz 7-8	56	81	9.6	11.9

Minimum polyethylene thickness for a 9mm metal-backed component is 6.7mm on the medial side.

\*Baseplate thickness included.

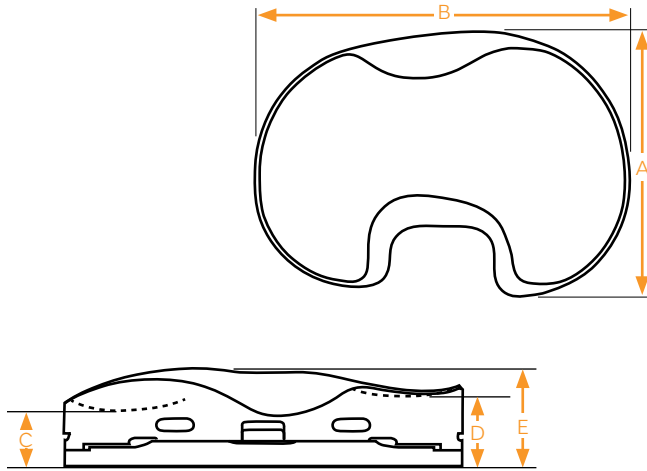
### Insert offering/compatibility

JOURNEY II CR is completely interchangeable with all size femoral components.

\*Size 7-8 tibia inserts can also be used with size 9 tibia baseplates.

## Tibial insert dimensions (mm) *continued*

### JOURNEY<sup>◇</sup> II Medial Dished (MD)



9mm Insert	Anterior-posterior A	Medial-Lateral B	Medial Thickness* C	Lateral Thickness* D	Anterior Thickness E
Sz 1-2	42	60	9.6	12.1	16.2
Sz 3-4	48	68	9.6	12.1	16.9
Sz 5-6	52	74	9.6	12.1	18.8
Sz 7-8	56	81	9.6	12.1	19.5

Minimum polyethylene thickness for a 9mm metal-backed component is 6.7mm on the medial side.

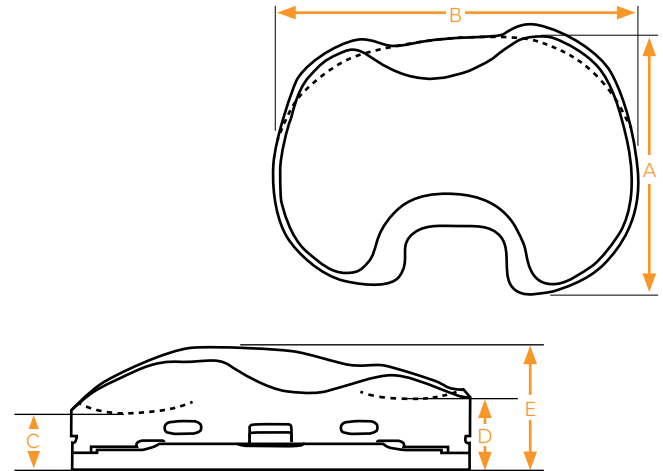
\*Baseplate thickness included.

### Insert offering/compatibility

Insert Size	Femoral Size									
	1	2	3	4	5	6	7	8	9	10
1-2	●	●	●	●						
3-4		●	●	●	●	●				
5-6				●	●	●	●	●	●	
7-8*						●	●	●	●	●

\*Size 7-8 tibia inserts can also be used with size 9 tibia baseplates.

### JOURNEY<sup>◇</sup> II Deep-Dished



9mm Deep-Dished Insert	Anterior-posterior A	Medial-Lateral B	Medial Thickness* C	Lateral Thickness* D	Anterior Thickness E
Sz 1-2	42	60	9.6	12.1	16.9
Sz 3-4	48	68	9.6	12.1	18.1
Sz 5-6	52	74	9.6	12.1	19.3
Sz 7-8	56	81	9.6	12.1	19.9

Minimum polyethylene thickness for a 9mm metal-backed component is 6.7mm on the medial side.

\*Baseplate thickness included.

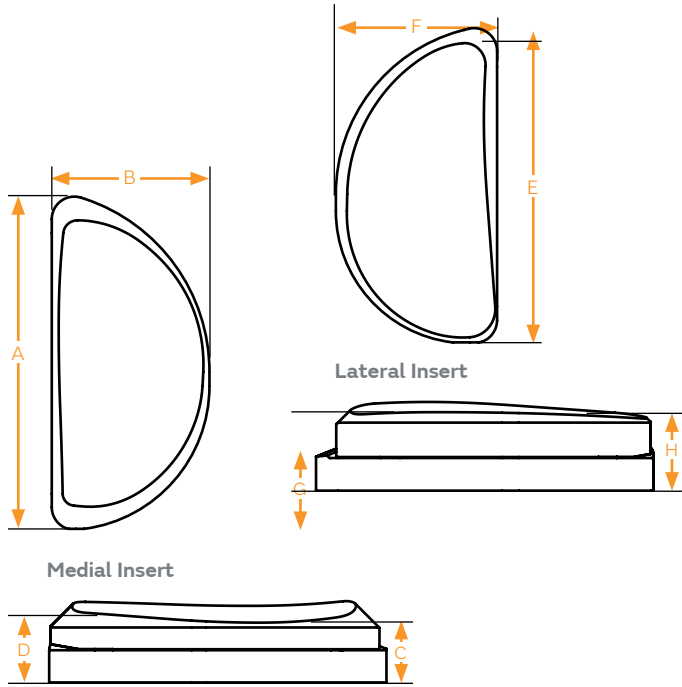
\*\*Compatible with JOURNEY BCS, JOURNEY II BCS and CR femoral components.

### Insert offering/compatibility

Insert Size	Femoral Size									
	1	2	3	4	5	6	7	8	9	10
1-2	●	●	●	●						
3-4		●	●	●	●	●				
5-6				●	●	●	●	●	●	
7-8*						●	●	●	●	●

\*Size 7-8 tibia inserts can also be used with size 9 tibia baseplates.

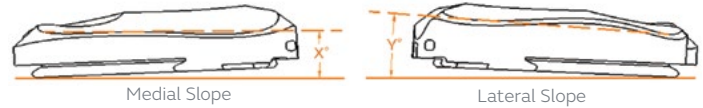
Tibial insert dimensions (mm) *continued*  
**JOURNEY<sup>◇</sup> II XR<sup>◇</sup>**



Thickness offerings  
**JOURNEY<sup>◇</sup> II tibial inserts**

Design	Thickness (mm)							
CR/MD	9	10	11	12	13	15	18	
Deep-Dished	9	10	11	12	13	15	18	21
BCS/AS	9	10	11	12	13	15	18	21
Constrained	9	10	11	12	13	15	18	21 25
XR	8	9	10	11	12			

Average Slope for  
**JOURNEY II tibial inserts**

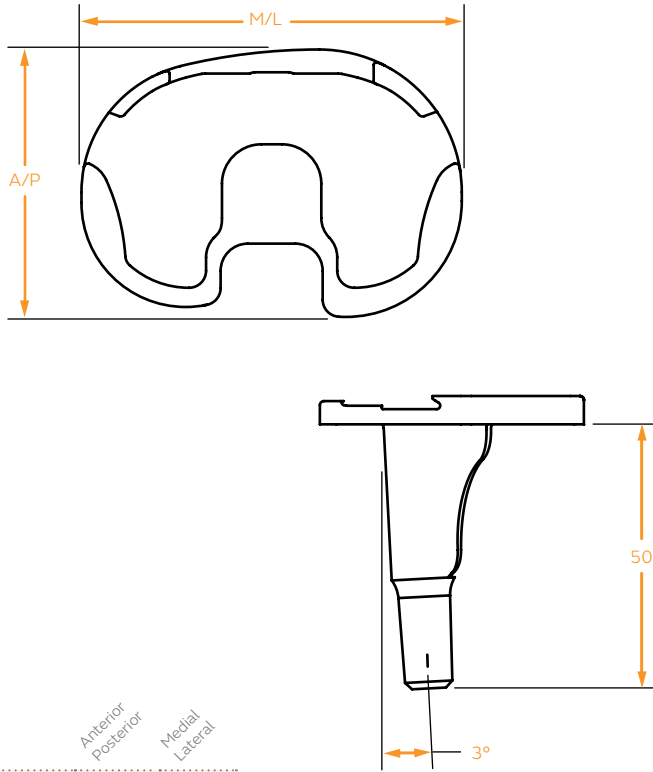


8mm Insert Size Slope	Medial Insert				Lateral Insert			
	A	B	C	D	E	F	G	H
1-2 0	40	18	8.6	9.5	37	18	11.1	10.7
1-2 -2	40	18	9.1	10.7	37	18	11.7	11.9
3-4 0	47	22	8.6	9.6	43	22	11.1	10.7
3-4 -2	47	22	9.2	10.9	43	22	11.7	11.9
5-6 0	51	25	8.6	9.7	47	25	11.1	10.7
5-6 -2	51	25	9.3	11.1	47	25	11.8	12.0
7-8 0	56	29	8.6	9.8	51	29	11.1	10.7
7-8 -2	56	29	9.3	11.2	51	29	11.8	12.0

Design	Medial (X)	Lateral (Y)
CR	0°	5°
MD	8.5°	6.8°
DD	11°	6°
BCS	0°	4°
AS	0°	1.3°
Constrained	0°	0°

## Tibia baseplate dimensions (mm)

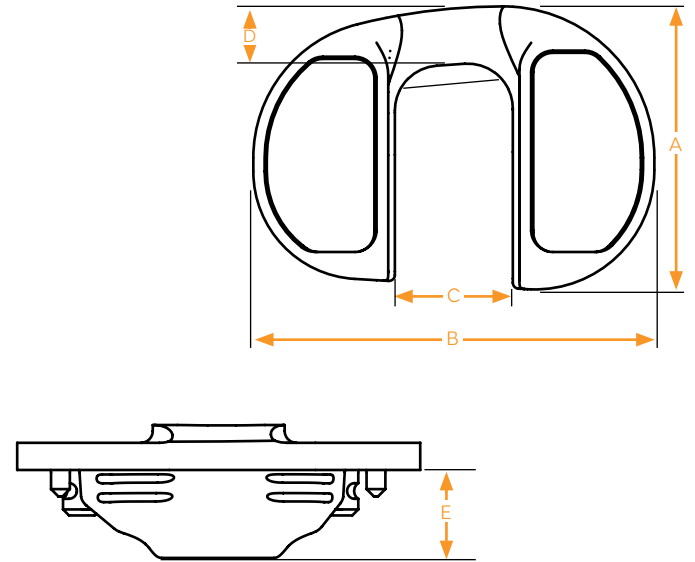
### JOURNEY<sup>◇</sup> Tibia Baseplate



Size	Anterior Posterior		Medial Lateral	
	A/P	M/L		
1	42	60		
2	45	64		
3	48	68		
4	50	71		
5	52	74		
6	54	77		
7	56	81		
8	59	85		
9	61	89		

Note: Stem sloped 3° posteriorly. Stem length is 50mm on all nonporous sizes

### JOURNEY<sup>◇</sup> II XR<sup>◇</sup> Tibia Baseplate



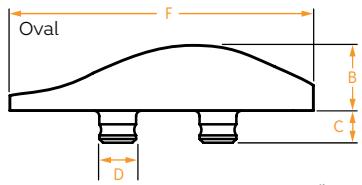
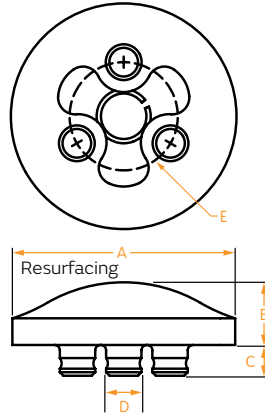
Size	Anterior Posterior		Cruciate Notch	Anterior Bridge		Keel Depth
	A	B		C	D	
1	42	60	20	9.5	15	
2	45	64	20	9.5	15	
3	48	68	20	9.5	15	
4	50	71	20	9.5	15	
5	52	74	20	9.5	17	
6	54	77	20	9.5	17	
7	56	81	20	9.5	17	
8	59	85	20	9.5	17	



# Patellar dimensions (mm)

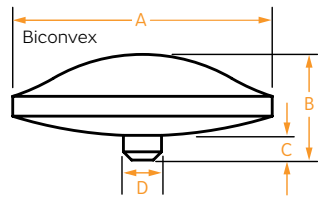
## JOURNEY<sup>◇</sup> Patella

Resurfacing	Diameter	Thickness	Peg Height	Peg Diameter	Peg Circle Diameter
Size	A	B	C	D	E
26mm Std	26	9	4.4	5.1	15.3
29mm Std	29	9	4.4	5.1	15.3
32mm Std	32	9	4.4	5.1	15.3
35mm Std	35	9	4.4	5.1	17.9
38mm Std	38	9	4.4	5.1	17.9
41mm Std	41	9	4.4	5.1	17.9



Oval	Diameter	Thickness	Peg Height	Peg Diameter	Peg Circle Diameter	Major Diameter
Size	A	B	C	D	E	F
29mm Std	29	8.5	4.4	5.1	15.3	35
32mm Std	32	9.0	4.4	5.1	15.3	38
35mm Std	35	9.0	4.4	5.1	17.9	41
38mm Std	38	9.5	4.4	5.1	17.9	44
41mm Std	41	10.0	4.4	5.1	17.9	47

Biconvex	Diameter	Thickness	Peg Height	Peg Diameter
Size	A	B	C	D
23mm Std	23	13	4.1	4.7
26mm Std	26	13	4.1	4.7
29mm Std	29	13	3.1	4.7
32mm Std	32	13	3.1	4.7



# JOURNEY<sup>◇</sup> II Patella options\*

Design	Brand	Thickness	Diameter (mm)
Round, Resurfacing	JOURNEY	9mm	26 29 32 35 38 41
	GENESIS <sup>◇</sup> II	9mm	26 29 32 35
	JOURNEY	7.5mm	26 29 32 35
Biconvex	GENESIS II	7.5mm	26 29 32 35
	JOURNEY	13mm	23 26 29 32
Oval Resurfacing	GENESIS II	13mm	23 26 29 32
		8.5-10mm	29 32 35 38 41

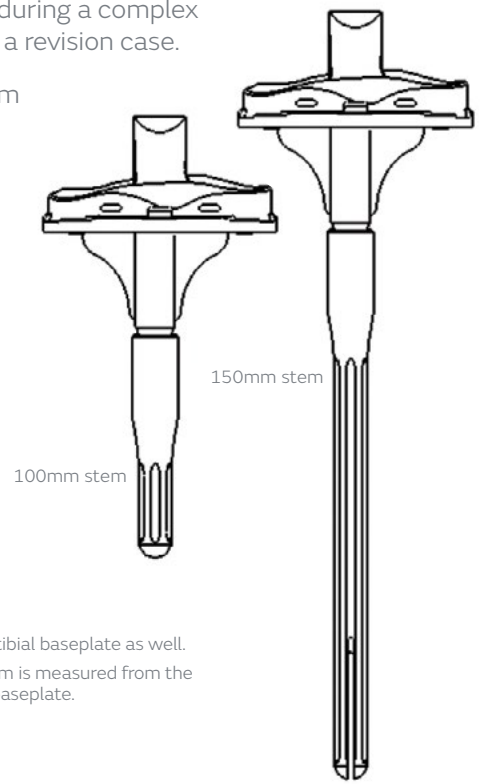
\*JOURNEY Small patella should not be used with JOURNEY II – 7402-4523, 7402-4526, 7402-4529, 7402-4726, 7402-4729, 7402-4732

# GENESIS<sup>◇</sup> II stems

These stems could be used with a male tapered baseplate during a complex primary case or for a revision case.

- Non-slotted stem
- ◐ Slotted stems

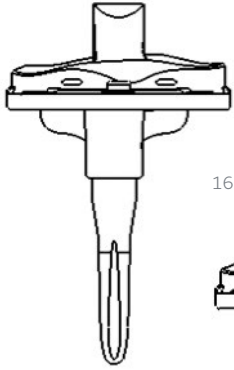
Size	Length (mm)	
	100	150
10	●	●
12	●	●
14	●	●
16	●	◐
18	●	
20	●	
22	●	
24	●	



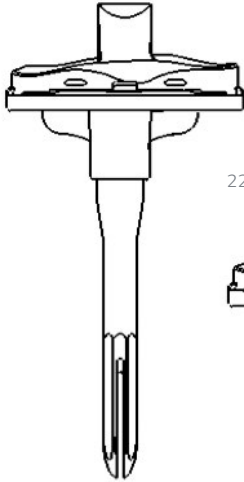
**Note:** fits JOURNEY<sup>◇</sup> BCS tibial baseplate as well.  
**Note:** the length of the stem is measured from the undersurface of the tibial baseplate.

## LEGION<sup>◇</sup> stems

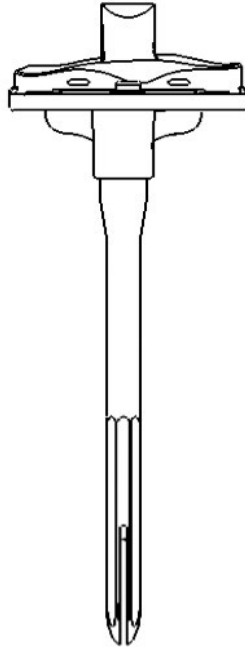
120mm stem



160mm stem



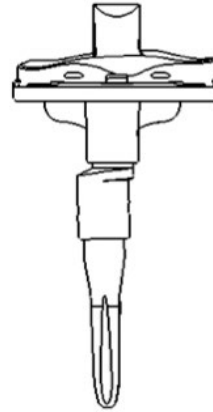
220mm stem



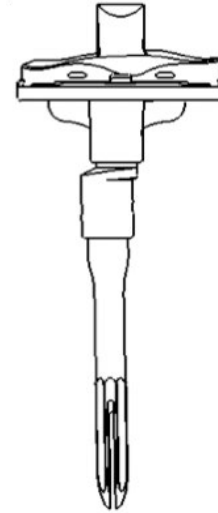
Size	Cemented (mm)		
9			
10	80	120	160
11			
12	80	120	160
13			
14	80	120	160
15			
16		120	160
18			
20		120	160
22			
24			

## LEGION<sup>◇</sup> stems offset

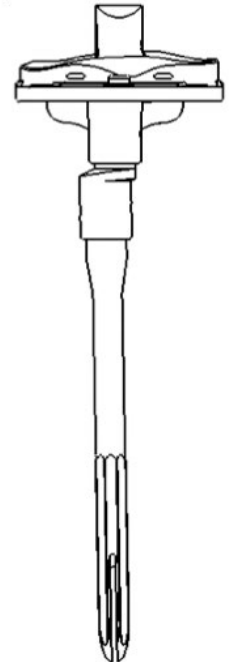
120mm stem offset



160mm stem offset



220mm stem offset



Size	Press-fit Straight (mm)		
9	120	160	
10	120	160	220
11	120	160	220
12	120	160	220
13	120	160	220
14	120	160	220
15	120	160	220
16	120	160	220
18	120	160	220
20	120	160	220
22	120	160	220
24	120	160	220

	Femoral component		Sizes
	JOURNEY II BCS	JOURNEY II CR	Sizes 1-10
JOURNEY II BCS Insert	Yes	No	Sizes 1-2, 3-4, 5-6, 7-8 Thicknesses 9, 10, 11, 12, 13, 15, 18, 21mm
JOURNEY II AS Insert	Yes	No	Sizes 1-2, 3-4, 5-6, 7-8 Thicknesses 9, 10, 11, 12, 13, 15, 18, 21mm
JOURNEY II Constrained Insert	Yes	No	Sizes 1-2, 3-4, 5-6, 7-8 Thicknesses 9, 10, 11, 12, 13, 15, 18, 21, 25mm
JOURNEY II Deep-Dished Insert	Yes	Yes	Sizes 1-2, 3-4, 5-6, 7-8 Thicknesses 9, 10, 11, 12, 13, 15, 18, 21mm
JOURNEY II CR Insert	No	Yes	Sizes 1-2, 3-4, 5-6, 7-8 Thicknesses 9, 10, 11, 12, 13, 15, 18mm
JOURNEY II MD Insert	No	Yes	Sizes 1-2, 3-4, 5-6, 7-8 Thicknesses 9, 10, 11, 12, 13, 15, 18mm
JOURNEY Tibia Baseplate – Male Tapered	Yes	Yes	Sizes 1-9
LEGION <sup>◇</sup> Revision Baseplate with JOURNEY Lock Detail – Female Tapered	Yes	Yes	Sizes 1-8
JOURNEY Patella Resurfacing	Yes	Yes	26 – 41mm (9mm) 26 – 35mm (7.5mm)
JOURNEY Patella Biconvex	Yes	Yes	23 – 32mm (13mm)
GENESIS <sup>◇</sup> II Patella Resurfacing	Yes	Yes	26 – 35mm (9mm) 26 – 35mm (7.5mm)
GENESIS II Patella Biconvex	Yes	Yes	23 – 32mm (13mm)
GENESIS II Patella Oval Resurfacing	Yes	Yes	29 – 41mm (8.5 – 10mm)

Kit #	Contents
8944	JOURNEY <sup>◇</sup> II XR Insert Instrument Set
9802	JOURNEY II XR Baseplate LT Sz 1-8
9803	JOURNEY II XR Baseplate RT Sz 1-8
9804	JOURNEY II XR XLPE Med/Lat Inserts RT Sz 1-8, 8-12mm, 0°
9805	JOURNEY II XR XLPE Med/Lat Inserts LT Sz 1-8, 8-12mm, 0°
9806	JOURNEY II XR XLPE Med/Lat Inserts RT Sz 1-8, 8-12mm, -2°
9807	JOURNEY II XR XLPE Med/Lat Inserts LT Sz 1-8, 8-12mm, -2°
9833	JOURNEY II XR Disposables
8573	JOURNEY II BCS Core Instrument Set
8373	JOURNEY BCS Instrument set
8569	JOURNEY II BCS LT Femoral Trials (3-8)
8570	JOURNEY II BCS RT Femoral Trials (3-8)
8571	JOURNEY II BCS LT Insert Trials
8572	JOURNEY II BCS RT Insert Trials
8351	F/E Gap Balancing Knee Instrument
9467	JOURNEY II BCS OXINIUM <sup>◇</sup> LT Femurs (3-8)
9468	JOURNEY II BCS OXINIUM <sup>◇</sup> RT Femurs (3-8)
9469	JOURNEY II BCS XLPE Tibia Inserts LT Sz 1-2, 9-21mm
9470	JOURNEY II BCS XLPE Tibia Inserts RT Sz 1-2, 9-21mm
9002	JOURNEY BCS Tibia Baseplate Set LT (3-8)
9003	JOURNEY BCS Tibia Baseplate Set RT (3-8)
9004	JOURNEY Bi-Convex Patella set
9005	JOURNEY Resurfacing Patella set
9222	LEGION <sup>◇</sup> Revision Baseplate w/JOURNEY lock detail, RT
9223	LEGION <sup>◇</sup> Revision Baseplate w/JOURNEY lock detail, LT
9266	GENESIS <sup>◇</sup> II Constrained Insrt w/JOURNEY lock detail, Implant
8539	GENESIS II Constrained Insrt w/JOURNEY lock detail, Trials
9226	GENESIS II PS High Flex Insrt w/JOURNEY Lock detail, Implants (3-8)
8399	GENESIS II PS High Flex Insrt w/JOURNEY Lock detail, Trials
8706	JOURNEY II CR Base Instruments
8707	JOURNEY II CR LT Insert Trials
8708	JOURNEY II CR RT Insert Trials



Kit #	Contents
8732	JOURNEY <sup>o</sup> II Femoral Outliers Sz 9
8720	JOURNEY II Femoral Outliers Sz 10
8721	JOURNEY II Femoral Outliers Sz 1
8722	JOURNEY II Femoral Outliers Sz 2
8723	JOURNEY II VISIONAIRE <sup>o</sup> Cutting Blocks
8727	JOURNEY II Universal Align and Cut Guides
8728	JOURNEY II Impactor/Finishing Tray
8729	JOURNEY II Patella Set
8734	JOURNEY II Femur Sz 3-4
8735	JOURNEY II Femur Sz 5-6
8736	JOURNEY II Femur Sz 7-8
8737	JOURNEY II BCS/Const Tib Lt 1-2
8738	JOURNEY II BCS/Const Tib Lt 3-4
8739	JOURNEY II BCS/Const Tib Lt 5-6
8740	JOURNEY II BCS/Const Tib Lt 7-8
8741	JOURNEY II BCS/Const Tib Rt 1-2
8742	JOURNEY II BCS/Const Tib Rt 3-4
8743	JOURNEY II BCS/Const Tib Rt 5-6
8744	JOURNEY II BCS/Const Tib Rt 7-8
9471	JOURNEY II BCS XLPE Insert L Sz 3-8, 9-21mm
9472	JOURNEY II BCS XLPE Insert R Sz 3-8, 9-21mm
9603	JOURNEY II CR Fem Rt Sz 3-8
9605	JOURNEY II CR Fem Lt Sz 3-8
9606	JOURNEY II XLPE CR Rt Sz 1-2, 9-18mm
9607	JOURNEY II XLPE CR Lt Sz 1-2, 9-18mm
9608	JOURNEY II XLPE CR Rt Sz 3-8, 9-18mm
9609	JOURNEY II XLPE CR Lt Sz 3-8, 9-18mm
9689	JOURNEY II BCS CoCr LT Femurs (1-9)
9688	JOURNEY II BCS CoCr RT Femurs (1-9)

**JOURNEY<sup>o</sup> II BCS Femoral Component**

Size	OXINIUM <sup>o</sup>		CoCr	
	Left	Right	Left	Right
1	7402-2121	7402-2111	7402-4921	7402-4211
2	7402-2122	7402-2112	7402-4922	7402-4212
3	7402-2123	7402-2113	7402-4923	7402-4213
4	7402-2124	7402-2114	7402-4924	7402-4214
5	7402-2125	7402-2115	7402-4925	7402-4215
6	7402-2126	7402-2116	7402-4926	7402-4216
7	7402-2127	7402-2117	7402-4927	7402-4217
8	7402-2128	7402-2118	7402-4928	7402-4218
9	7402-2129	7402-2119	7402-4929	7402-4219
10	7402-2120	7402-2110		

**JOURNEY II CR Femoral Component**

Size	OXINIUM		CoCr	
	Left	Right	Left	Right
1	7402-1161	7402-1151	7402-1261	7402-1251
2	7402-1162	7402-1152	7402-1262	7402-1252
3	7402-1163	7402-1153	7402-1263	7402-1253
4	7402-1164	7402-1154	7402-1264	7402-1254
5	7402-1165	7402-1155	7402-1265	7402-1255
6	7402-1166	7402-1156	7402-1266	7402-1256
7	7402-1167	7402-1157	7402-1267	7402-1257
8	7402-1168	7402-1158	7402-1268	7402-1258
9	7402-1169	7402-1159	7402-1269	7402-1259
10	7402-1160	7402-1150		



**JOURNEY<sup>o</sup> II BCS Insert**

Size 1-2	Left	Right
9mm	7402-7221	7402-7211
10mm	7402-7222	7402-7212
11mm	7402-7223	7402-7213
12mm	7402-7224	7402-7214
13mm	7402-7225	7402-7215
15mm	7402-7226	7402-7216
18mm	7402-7227	7402-7217
21mm	7402-7228	7402-7218

Size 3-4	Left	Right
9mm	7402-7241	7402-7231
10mm	7402-7242	7402-7232
11mm	7402-7243	7402-7233
12mm	7402-7244	7402-7234
13mm	7402-7245	7402-7235
15mm	7402-7246	7402-7236
18mm	7402-7247	7402-7237
21mm	7402-7248	7402-7238

Size 5-6	Left	Right
9mm	7402-7261	7402-7251
10mm	7402-7262	7402-7252
11mm	7402-7263	7402-7253
12mm	7402-7264	7402-7254
13mm	7402-7265	7402-7255
15mm	7402-7266	7402-7256
18mm	7402-7267	7402-7257
21mm	7402-7268	7402-7258

Size 7-8*	Left	Right
9mm	7402-7281	7402-7271
10mm	7402-7282	7402-7272
11mm	7402-7283	7402-7273
12mm	7402-7284	7402-7274
13mm	7402-7285	7402-7275
15mm	7402-7286	7402-7276
18mm	7402-7287	7402-7277
21mm	7402-7288	7402-7278

\*Size 7-8 tibia inserts can also be used with size 9 tibia baseplates.



**JOURNEY<sup>o</sup> II AS Insert**

Size 1-2	Left	Right
9mm	7402-1331	7402-1321
10mm	7402-1332	7402-1322
11mm	7402-1333	7402-1323
12mm	7402-1334	7402-1324
13mm	7402-1335	7402-1325
15mm	7402-1336	7402-1326
18mm	7402-1337	7402-1327
21mm	7402-1338	7402-1328

Size 3-4	Left	Right
9mm	7402-1371	7402-1361
10mm	7402-1372	7402-1362
11mm	7402-1373	7402-1363
12mm	7402-1374	7402-1364
13mm	7402-1375	7402-1365
15mm	7402-1376	7402-1366
18mm	7402-1377	7402-1367
21mm	7402-1378	7402-1368

Size 5-6	Left	Right
9mm	7402-1371	7402-1361
10mm	7402-1372	7402-1362
11mm	7402-1373	7402-1363
12mm	7402-1374	7402-1364
13mm	7402-1375	7402-1365
15mm	7402-1376	7402-1366
18mm	7402-1377	7402-1367
21mm	7402-1378	7402-1368

Size 7-8*	Left	Right
9mm	7402-1391	7402-1381
10mm	7402-1392	7402-1382
11mm	7402-1393	7402-1383
12mm	7402-1394	7402-1384
13mm	7402-1395	7402-1385
15mm	7402-1396	7402-1386
18mm	7402-1397	7402-1387
21mm	7402-1398	7402-1388

\*Size 7-8 tibia inserts can also be used with size 9 tibia baseplates.



**JOURNEY<sup>o</sup> II Constrained Insert**

Size 1-2	Left	Right
9mm	7402-9221	7402-9211
10mm	7402-9222	7402-9212
11mm	7402-9223	7402-9213
12mm	7402-9224	7402-9214
13mm	7402-9225	7402-9215
15mm	7402-9226	7402-9216
18mm	7402-9227	7402-9217
21mm	7402-9228	7402-9218
25mm	7402-9229	7402-9219

Size 3-4	Left	Right
9mm	7402-9241	7402-9231
10mm	7402-9242	7402-9232
11mm	7402-9243	7402-9233
12mm	7402-9244	7402-9234
13mm	7402-9245	7402-9235
15mm	7402-9246	7402-9236
18mm	7402-9247	7402-9237
21mm	7402-9248	7402-9238
25mm	7402-9249	7402-9239

Size 5-6	Left	Right
9mm	7402-9261	7402-9251
10mm	7402-9262	7402-9252
11mm	7402-9263	7402-9253
12mm	7402-9264	7402-9254
13mm	7402-9265	7402-9255
15mm	7402-9266	7402-9256
18mm	7402-9267	7402-9257
21mm	7402-9268	7402-9258
25mm	7402-9269	7402-9259

Size 7-8*	Left	Right
9mm	7402-9281	7402-9271
10mm	7402-9282	7402-9272
11mm	7402-9283	7402-9273
12mm	7402-9284	7402-9274
13mm	7402-9285	7402-9275
15mm	7402-9286	7402-9276
18mm	7402-9287	7402-9277
21mm	7402-9288	7402-9278
25mm	7402-9289	7402-9279

\*Size 7-8 tibia inserts can also be used with size 9 tibia baseplates.



**JOURNEY<sup>o</sup> II CR Insert**

Size 1-2	Left	Right
9mm	7402-5621	7402-5611
10mm	7402-5622	7402-5612
11mm	7402-5623	7402-5613
12mm	7402-5624	7402-5614
13mm	7402-5625	7402-5615
15mm	7402-5626	7402-5616
18mm	7402-5627	7402-5617

Size 3-4	Left	Right
9mm	7402-5641	7402-5631
10mm	7402-5642	7402-5632
11mm	7402-5643	7402-5633
12mm	7402-5644	7402-5634
13mm	7402-5645	7402-5635
15mm	7402-5646	7402-5636
18mm	7402-5647	7402-5637

Size 5-6	Left	Right
9mm	7402-5661	7402-5651
10mm	7402-5662	7402-5652
11mm	7402-5663	7402-5653
12mm	7402-5664	7402-5654
13mm	7402-5665	7402-5655
15mm	7402-5666	7402-5656
18mm	7402-5667	7402-5657

Size 7-8*	Left	Right
9mm	7402-5681	7402-5671
10mm	7402-5682	7402-5672
11mm	7402-5683	7402-5673
12mm	7402-5684	7402-5674
13mm	7402-5685	7402-5675
15mm	7402-5686	7402-5676
18mm	7402-5687	7402-5677

\*Size 7-8 tibia inserts can also be used with size 9 tibia baseplates.







**JOURNEY<sup>o</sup> II MD Insert**

Size 1-2	Left	Right
9mm	7402-1431	7402-1421
10mm	7402-1432	7402-1422
11mm	7402-1433	7402-1423
12mm	7402-1434	7402-1424
13mm	7402-1435	7402-1425
15mm	7402-1436	7402-1426
18mm	7402-1437	7402-1427

Size 3-4	Left	Right
9mm	7402-1451	7402-1441
10mm	7402-1452	7402-1442
11mm	7402-1453	7402-1443
12mm	7402-1454	7402-1444
13mm	7402-1455	7402-1445
15mm	7402-1456	7402-1446
18mm	7402-1457	7402-1447

Size 5-6	Left	Right
9mm	7402-1471	7402-1461
10mm	7402-1472	7402-1462
11mm	7402-1473	7402-1463
12mm	7402-1474	7402-1464
13mm	7402-1475	7402-1465
15mm	7402-1476	7402-1466
18mm	7402-1477	7402-1467

Size 7-8*	Left	Right
9mm	7402-1491	7402-1481
10mm	7402-1492	7402-1482
11mm	7402-1493	7402-1483
12mm	7402-1494	7402-1484
13mm	7402-1495	7402-1485
15mm	7402-1496	7402-1486
18mm	7402-1497	7402-1487

\*Size 7-8 tibia inserts can also be used with size 9 tibia baseplates.



**JOURNEY<sup>o</sup> II Deep-Dished Insert\*\***

Size 1-2	Left	Right
9mm	7402-5721	7402-5711
10mm	7402-5722	7402-5712
11mm	7402-5723	7402-5713
12mm	7402-5724	7402-5714
13mm	7402-5725	7402-5715
15mm	7402-5726	7402-5716
18mm	7402-5727	7402-5717
21mm	7402-5728	7402-5718

Size 3-4	Left	Right
9mm	7402-5741	7402-5731
10mm	7402-5742	7402-5732
11mm	7402-5743	7402-5733
12mm	7402-5744	7402-5734
13mm	7402-5745	7402-5735
15mm	7402-5746	7402-5736
18mm	7402-5747	7402-5737
21mm	7402-5748	7402-5738

\*\* Compatible with JOURNEY BCS, JOURNEY II BCS and CR femoral components.

Size 5-6	Left	Right
9mm	7402-5761	7402-5751
10mm	7402-5762	7402-5752
11mm	7402-5763	7402-5753
12mm	7402-5764	7402-5754
13mm	7402-5765	7402-5755
15mm	7402-5766	7402-5756
18mm	7402-5767	7402-5757
21mm	7402-5768	7402-5758

Size 7-8*	Left	Right
9mm	7402-5781	7402-5771
10mm	7402-5782	7402-5772
11mm	7402-5783	7402-5773
12mm	7402-5784	7402-5774
13mm	7402-5785	7402-5775
15mm	7402-5786	7402-5776
18mm	7402-5787	7402-5777
21mm	7402-5788	7402-5778

\*Size 7-8 tibia inserts can also be used with size 9 tibia baseplates.



**JOURNEY<sup>o</sup> II XR<sup>o</sup> XLPE Insert (0° slope)**

Size 1-2	Medial		Lateral	
	Left	Right	Left	Right
8mm	7402-3720	7402-3710	7402-3820	7402-3810
9mm	7402-3721	7402-3711	7402-3821	7402-3811
10mm	7402-3722	7402-3712	7402-3822	7402-3812
11mm	7402-3723	7402-3713	7402-3823	7402-3813
12mm	7402-3724	7402-3714	7402-3824	7402-3814

Size 3-4	Medial		Lateral	
	Left	Right	Left	Right
8mm	7402-3740	7402-3730	7402-3840	7402-3830
9mm	7402-3741	7402-3731	7402-3841	7402-3831
10mm	7402-3742	7402-3732	7402-3842	7402-3832
11mm	7402-3743	7402-3733	7402-3843	7402-3833
12mm	7402-3744	7402-3734	7402-3844	7402-3834

Size 5-6	Medial		Lateral	
	Left	Right	Left	Right
8mm	7402-3760	7402-3750	7402-3860	7402-3850
9mm	7402-3761	7402-3751	7402-3861	7402-3851
10mm	7402-3762	7402-3752	7402-3862	7402-3852
11mm	7402-3763	7402-3753	7402-3863	7402-3853
12mm	7402-3764	7402-3754	7402-3864	7402-3854

Size 7-8	Medial		Lateral	
	Left	Right	Left	Right
8mm	7402-3780	7402-3770	7402-3880	7402-3870
9mm	7402-3781	7402-3771	7402-3881	7402-3871
10mm	7402-3782	7402-3772	7402-3882	7402-3872
11mm	7402-3783	7402-3773	7402-3883	7402-3873
12mm	7402-3784	7402-3774	7402-3884	7402-3874

**JOURNEY<sup>o</sup> II XR<sup>o</sup> XLPE Insert (-2° slope)**

Size 1-2	Medial		Lateral	
	Left	Right	Left	Right
8mm	7402-3956	7402-3951	7402-4002	7402-3995
9mm	7402-3957	7402-3952	7402-4003	7402-3996
10mm	7402-3958	7402-3953	7402-4004	7402-3997
11mm	7402-3959	7402-3954	7402-4005	7402-3998
12mm	7402-3961	7402-3955	7402-4006	7402-4001

Size 3-4	Medial		Lateral	
	Left	Right	Left	Right
8mm	7402-3967	7402-3962	7402-4013	7402-4007
9mm	7402-3968	7402-3963	7402-4014	7402-4008
10mm	7402-3969	7402-3964	7402-4015	7402-4009
11mm	7402-3971	7402-3965	7402-4016	7402-4011
12mm	7402-3972	7402-3966	7402-4017	7402-4012

Size 5-6	Medial		Lateral	
	Left	Right	Left	Right
8mm	7402-3978	7402-3973	7402-4024	7402-4018
9mm	7402-3979	7402-3974	7402-4025	7402-4019
10mm	7402-3981	7402-3975	7402-4026	7402-4021
11mm	7402-3982	7402-3976	7402-4027	7402-4022
12mm	7402-3983	7402-3977	7402-4028	7402-4023

Size 7-8	Medial		Lateral	
	Left	Right	Left	Right
8mm	7402-3989	7402-3984	7402-4035	7402-4029
9mm	7402-3991	7402-3985	7402-4036	7402-4031
10mm	7402-3992	7402-3986	7402-4037	7402-4032
11mm	7402-3993	7402-3987	7402-4038	7402-4033
12mm	7402-3994	7402-3988	7402-4039	7402-4034

# Revision insert options



## JOURNEY<sup>o</sup> II Constrained Insert

Thickness	Size 1-2	
	Left	Right
9mm	7402-9221	7402-9211
10mm	7402-9222	7402-9212
11mm	7402-9223	7402-9213
12mm	7402-9224	7402-9214
13mm	7402-9225	7402-9215
15mm	7402-9226	7402-9216
18mm	7402-9227	7402-9217
21mm	7402-9228	7402-9218
25mm	7402-9229	7402-9219

Thickness	Size 3-4	
	Left	Right
9mm	7402-9241	7402-9231
10mm	7402-9242	7402-9232
11mm	7402-9243	7402-9233
12mm	7402-9244	7402-9234
13mm	7402-9245	7402-9235
15mm	7402-9246	7402-9236
18mm	7402-9247	7402-9237
21mm	7402-9248	7402-9238
25mm	7402-9249	7402-9239

Thickness	Size 5-6	
	Left	Right
9mm	7402-9261	7402-9251
10mm	7402-9262	7402-9252
11mm	7402-9263	7402-9253
12mm	7402-9264	7402-9254
13mm	7402-9265	7402-9255
15mm	7402-9266	7402-9256
18mm	7402-9267	7402-9257
21mm	7402-9268	7402-9258
25mm	7402-9269	7402-9259

Thickness	Size 7-8*	
	Left	Right
9mm	7402-9281	7402-9271
10mm	7402-9282	7402-9272
11mm	7402-9283	7402-9273
12mm	7402-9284	7402-9274
13mm	7402-9285	7402-9275
15mm	7402-9286	7402-9276
18mm	7402-9287	7402-9277
21mm	7402-9288	7402-9278
25mm	7402-9289	7402-9279

\*Size 7-8 tibia inserts can also be used with size 9 tibia baseplates.



**GENESIS<sup>®</sup> II PS High Flex Insert  
with JOURNEY<sup>®</sup> Lock Detail**

Thickness	Size 1-2	Size 3-4
9mm	7193-4431	7193-4436
11mm	7193-4432	7193-3733
13mm	7193-4433	7193-3734
15mm	7193-4434	7193-3735
18mm	7193-4435	7193-3736

Thickness	Size 5-6	Size 7-8
9mm	7193-4437	7193-4438
11mm	7193-3737	7193-3741
13mm	7193-3738	7193-3742
15mm	7193-3739	7193-3743
18mm	7193-3740	7193-3744

**GENESIS II PS High Flex Insert Trial  
with JOURNEY Lock Detail**

Thickness	Size 1-2	Size 3-4
9mm	7193-4439	7193-4444
11mm	7193-4440	7193-3746
13mm	7193-4441	7193-3747
15mm	7193-4442	7193-3748
18mm	7193-4443	7193-3749

Thickness	Size 5-6	Size 7-8
9mm	7193-4445	7193-4446
11mm	7193-3750	7193-3754
13mm	7193-3751	7193-3755
15mm	7193-3752	7193-3756
18mm	7193-3753	7193-3757

**GENESIS<sup>®</sup> II Constrained Insert  
with JOURNEY<sup>®</sup> Lock Detail**

Thickness	Size 1-2	Size 3-4
11mm	7193-4379	7193-4382
13mm	7193-4380	7193-4383
15mm	7193-4381	7193-4384

Thickness	Size 5-6	Size 7-8
11mm	7193-4385	7193-4388
13mm	7193-4386	7193-4389
15mm	7193-4387	7193-4390

**GENESIS II Constrained Insert Trial  
with JOURNEY Lock Detail**

Thickness	Size 1-2	Size 3-4
11mm	7193-4391	7193-4394
13mm	7193-4392	7193-4395
15mm	7193-4393	7193-4396

Thickness	Size 5-6	Size 7-8
11mm	7193-4397	7193-4400
13mm	7193-4398	7193-4401
15mm	7193-4399	7193-4402

**JOURNEY BCS Tall Post Insert**

Size 1-2	Left	Right
9-18mm	9293**	9292**
Size 3-4	Left	Right
9-18mm	9295**	9294**
Size 5-6	Left	Right
9-18mm	9297**	9296**
Size 7-8	Left	Right
9-18mm	9299**	9298**

\*\*Only for use with original JOURNEY BCS femoral components.

## Tibia baseplates



### JOURNEY<sup>◊</sup> Tibia Baseplate

Size	Left	Right
1	7402-2221	7402-2211
2	7402-2222	7402-2212
3	7402-2223	7402-2213
4	7402-2224	7402-2214
5	7402-2225	7402-2215
6	7402-2226	7402-2216
7	7402-2227	7402-2217
8	7402-2228	7402-2218
9*	7193-3634	7193-3635
9 Trial*	7193-3636	7193-3637

### JOURNEY XR<sup>◊</sup> Tibia Baseplate

Size	Left	Right
1	7402-2201	7402-2291
2	7402-2202	7402-2292
3	7402-2203	7402-2293
4	7402-2204	7402-2294
5	7402-2205	7402-2295
6	7402-2206	7402-2296
7	7402-2207	7402-2297
8	7402-2208	7402-2298

### LEGION<sup>◊</sup> Revision Baseplate w/ JOURNEY Lock Detail

Size	Left	Right
1*	7193-3567	7193-3575
2*	7193-3568	7193-3576
3*	7193-3569	7193-3577
4*	7193-3570	7193-3578
5*	7193-3571	7193-3579
6*	7193-3572	7193-3580
7*	7193-3573	7193-3581
8*	7193-3574	7193-3582

\*Available through SPG

## Patellas



### JOURNEY<sup>◊</sup> Patella, Resurfacing

Catalog Item	Size
7402-4826	26mm
7402-4829	29mm
7402-4832	32mm
7402-4835	35mm
7402-4838	38mm
7402-4841	41mm

### JOURNEY Patella, Biconvex

Catalog Item	Size
7402-4623	23mm
7402-4626	26mm
7402-4629	29mm
7402-4632	32mm

### GENESIS<sup>◊</sup> II Patella, Biconvex

Catalog Item	Size
7142-0566	23mm
7142-0568	26mm
7142-0570	29mm
7142-0572	32mm



### GENESIS<sup>o</sup> II Patella, Resurfacing

Catalog Item	Size
7142-0580	26mm
7142-0574	29mm
7142-0576	32mm
7142-0578	35mm

### GENESIS II Patella, Oval Resurfacing

Catalog Item	Size	Thickness
7142-1029	29mm	8.5mm
7142-1032	32mm	9.0mm
7142-1035	35mm	9.0mm
7142-1038	38mm	9.5mm
7142-1041	41mm	10mm

### GENESIS II Resurfacing Patella w/ JOURNEY<sup>o</sup> Peg

Catalog Item	Size
7193-4488*	26
7193-4489*	29
7193-4490*	32
7193-4491*	35
7193-4492*	38
7193-4493*	41

### GENESIS II Resurfacing Patella Trial with JOURNEY Peg

Catalog Item	Size
7193-4494*	26
7193-4495*	29
7193-4496*	32
7193-4497*	35
7193-4498*	38
7193-4499*	41

\*Available through SPG

### GENESIS<sup>o</sup> II Patella, Resurfacing (7.5mm)

Catalog Item	Size
7193-2634*	26mm
7193-2635*	29mm
7193-2636*	32mm
7193-2637*	35mm

### GENESIS II Patella, Resurfacing Trial (7.5mm)

Catalog Item	Size
7192-8372*	26mm
7192-8373*	29mm
7192-8374*	32mm
7192-8375*	35mm

### JOURNEY<sup>o</sup> 7.5mm Round Resurfacing Patella

Catalog Item	Size
7193-2910*	26mm
7193-2911*	29mm
7193-2912*	32mm
7193-2913*	35mm

### JOURNEY 7.5mm Round Resurfacing Patella Trial

Catalog Item	Size
7193-2924*	26mm
7193-2925*	29mm
7193-2926*	32mm
7193-2927*	35mm

\*Available through SPG

# Tibial wedges

## LEGION<sup>®</sup> 5mm Hemi-Stepped Tibial Wedge

Catalog item	Description	Catalog item	Description
7142-1141	Sizes 1-2, 3-4, 5-6, 7-8	7142-1145	Sizes 1-2, 3-4, 5-6, 7-8
7142-1142	LT-Medial/ RT-Lateral	7142-1146	LT-Lateral/ RT-Medial
7142-1143		7142-1147	
7142-1144		7142-1148	

## LEGION 10mm Hemi-Stepped Tibial Wedge

Catalog item	Description	Catalog item	Description
7142-3033	Sizes 1-2, 3-4, 5-6, 7-8	7142-3037	Sizes 1-2, 3-4, 5-6, 7-8
7142-3034	LT-Medial/ RT-Lateral	7142-3038	LT-Medial/ RT-Lateral
7142-3035		7142-3039	
7142-3036		7142-3040	

## LEGION 15mm Hemi-Stepped Tibial Wedge

Catalog item	Description	Catalog item	Description
7142-3041	Sizes 1-2, 3-4, 5-6, 7-8	7142-3045	Sizes 1-2, 3-4, 5-6, 7-8
7142-3042	LT-Medial/ RT-Lateral	7142-3046	LT-Medial/ RT-Lateral
7142-3043		7142-3047	
7142-3044		7142-3048	

## LEGION<sup>®</sup> Full-Stepped Tibial Wedge

Catalog item	Description	Catalog item	Description
7142-3057	Sizes 1-2, 3-4, 5-6, 7-8, 10mm	7142-3061	Sizes 1-2, 3-4, 5-6, 7-8, 15mm
7142-3058		7142-3062	
7142-3059		7142-3063	
7142-3060		7142-3064	

## LEGION Screws

Catalog item	Description
7142-3097	Tibial Wedge Screw



## GENESIS<sup>o</sup> II Stem

Stem Diameter	100mm Catalog Item	150mm Catalog Item
10mm	7142-0628	7142-0647
12mm	7142-0630	7142-0649
14mm	7142-0632	7142-0648
16mm	7142-0634	7142-0650
18mm	7142-0636	
20mm	7142-0638	
22mm	7142-0640	
24mm	7142-0642	

## LEGION<sup>o</sup> Press-Fit Stem

Stem Diameter	120mm Catalog Item	160mm Catalog Item	220mm Catalog Item
9mm	7142-4022*	7142-4042*	N/A
10mm	7142-4023	7142-4043	7142-4063
11mm	7142-4024	7142-4044	7142-4064*
12mm	7142-4025	7142-4045	7142-4065
13mm	7142-4026	7142-4046	7142-4066*
14mm	7142-4027	7142-4047	7142-4067
15mm	7142-4028	7142-4048	7142-4068*
16mm	7142-4029	7142-4049	7142-4069
18mm	7142-4031	7142-4051	7142-4071
20mm	7142-4033	7142-4053	7142-4073
22mm	7142-4035*	7142-4055	7142-4075*
24mm	7142-4037*	7142-4057*	7142-4077*

\*Not in standard set, limited availability

## LEGION<sup>o</sup> Cemented Stem

Stem Diameter	120mm Catalog Item	160mm Catalog Item
10mm	7142-4182	7142-4202
12mm	7142-4184	7142-4204
14mm	7142-4186	7142-4206
16mm	7142-4188	7142-4208
18mm	7142-4190	7142-4210
20mm	7142-4192	7142-4212

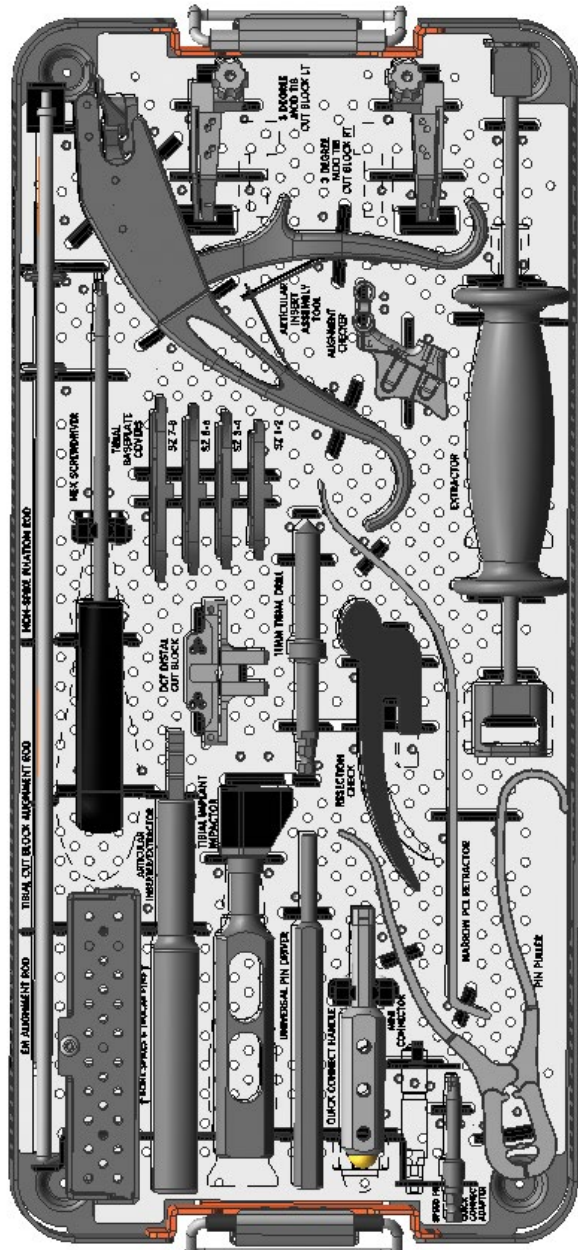
## LEGION Stem Extensions and Offset Coupler

Catalog Item	Size
7142-4161	Short Stem Extension 10 x 80
7142-4163	Short Stem Extension 12 x 80
7142-4165	Short Stem Extension 14 x 80
7142-4221*	Offset Coupler Angled
7142-4223	Offset Coupler + 2mm
7142-4225	Offset Coupler + 4mm
7142-4227	Offset Coupler + 6mm

## LEGION Male-to-Male Coupler

Catalog Item	Size
7193-3693	LEGION Male-to-Male Mini Coupler 2mm
7193-3694	LEGION Male-to-Male Mini Coupler 4mm
7193-3695	LEGION Male-to-Male Mini Coupler 6mm
7193-3696	LEGION Male-to-Male Mini Coupler Trial 2mm
7193-3697	LEGION Male-to-Male Mini Coupler Trial 4mm
7193-3698	LEGION Male-to-Male Mini Coupler Trial 6mm
7193-K178	LEGION Male-to-Male Mini Coupler Set (includes the Implants and trials)

\*Not in standard set, limited availability

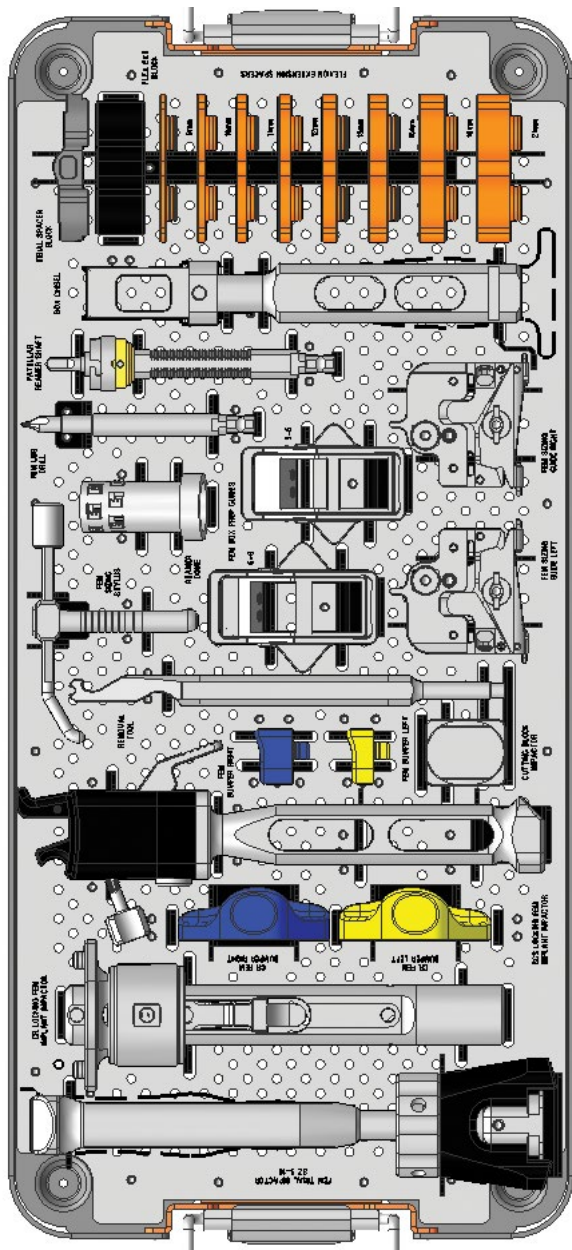


## 7144-0843 Universal Tray 1

Catalog Item	Description
114861	Extramedullary Alignment Rod
115035	Hex Screwdriver
7144-0020	GENESIS <sup>®</sup> II Narrow PCL Retractor
7144-0040	GENESIS II 11mm Tibial Drill
7144-0044	GENESIS II Quick Connect Handle
7144-0194	GENESIS II Articulating Inserter/Extract
7144-0366	GENESIS II Universal Extractor
7144-0491	Universal Pin Puller
7144-1136	GENESIS II MIS Slotted 3 Deg Mod Tib Cut Block LT
7144-1137	GENESIS II MIS Slotted 3 Deg Mod Tib Cut Block RT
7144-1147	GENESIS II MIS DCF Distal Cutting Block
7151-3331	Universal Pin Driver
7401-2431	JOURNEY <sup>®</sup> Resection Check
7401-3489	SPEED PIN <sup>®</sup> Quick Connect Adapter
7401-8821	JOURNEY Tibial Baseplate Cover Sz 1-2
7401-8823	JOURNEY Tibial Baseplate Cover Sz 3-4
7401-8825	JOURNEY Tibial Baseplate Cover Sz 5-6
7401-8827	JOURNEY Tibial Baseplate Cover Sz 7-8
7401-8901	JOURNEY Tibial Implant Impactor
7401-8911	JOURNEY Articular Insert Assembly Tool
7193-4298*	VISIONAIRE <sup>®</sup> Alignment Checker

\*Not included in set

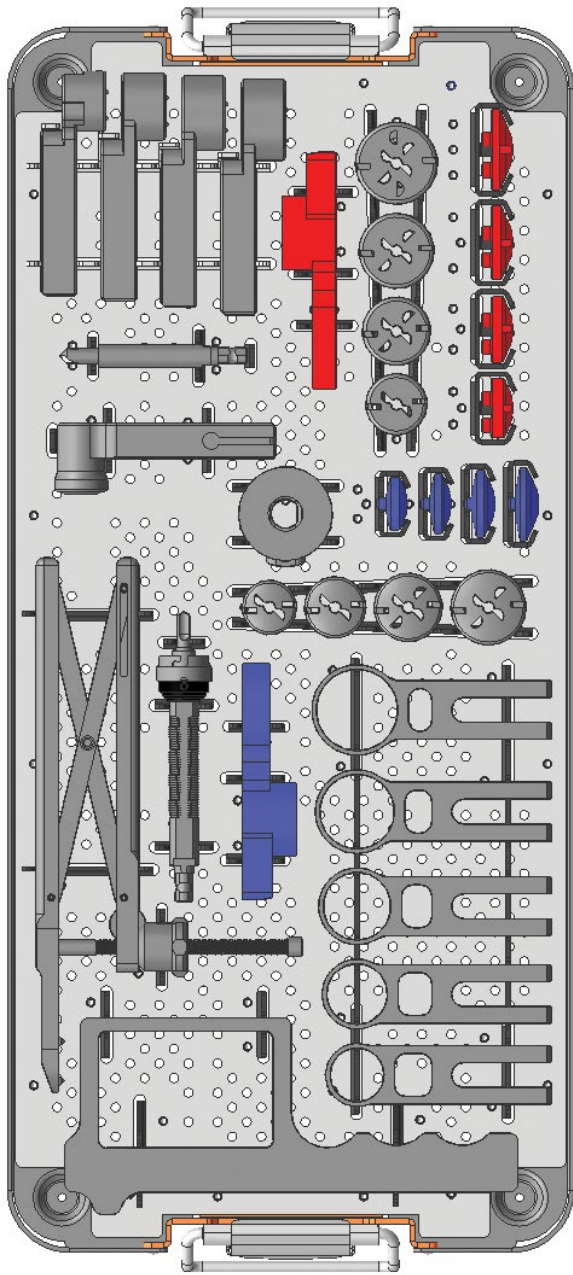




## 7401-0084 JOURNEY<sup>®</sup> II Impactor and Finishing Tray

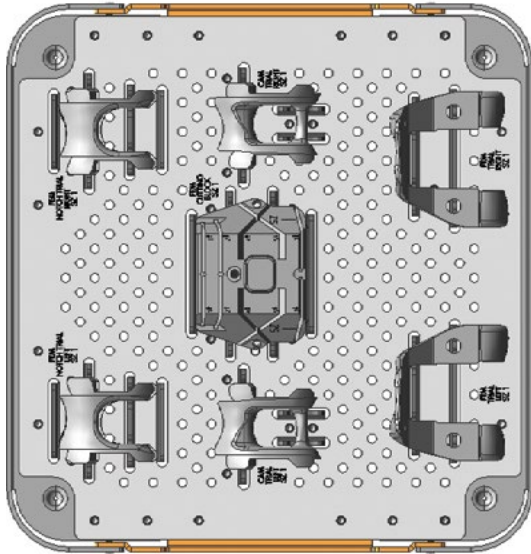
Catalog Item	Description
7144-0145	GENESIS <sup>®</sup> II P/S Constrained System Housing Reamer Dome
7144-0324	GENESIS II Patellar Reamer Shaft
7144-0373	Box Chisel
7401-1855	JOURNEY II CR Femoral Lug Drill
7401-1711	JOURNEY II CR Locking Femoral Implant Impactor
7401-1821	JOURNEY Femoral Implant Impactor Bumper RT
7401-1856	JOURNEY II CR Locking Femoral Impactor Bumper LT
7401-1857	JOURNEY II CR Locking Femoral Impactor Bumper RT
7401-2421	JOURNEY A/P Cutting Block Impactor
7401-2455	JOURNEY II TKA Femoral Sizing Guide LT
7401-2456	JOURNEY II TKA Femoral Sizing Guide RT
7401-2457	JOURNEY II TKA Femoral Sizing Stylus
7401-2514	JOURNEY Femoral Trial Impactor
7401-2575	JOURNEY II BCS Femoral Box Prep Guide Sz 3-5
7401-2576	JOURNEY II BCS Femoral Box Prep Guide Sz 6-8
7401-2645	Tibial Spacer Block Standard
7401-2812	JOURNEY II BCS Locking Femoral Implant Impactor
7401-2821	JOURNEY Femoral Implant Impactor Bumper LT
7401-2825	JOURNEY II Removal Tool
7401-8603	JOURNEY Flexion Extension Block Standard
7401-8608	JOURNEY Flexion Extension Spacer 9mm
7401-8610	JOURNEY Flexion Extension Spacer 10mm
7401-8611	JOURNEY Flexion Extension Spacer 11mm
7401-8612	JOURNEY Flexion Extension Spacer 12mm
7401-8613	JOURNEY Flexion Extension Spacer 13mm
7401-8615	JOURNEY Flexion Extension Spacer 15mm
7401-8618	JOURNEY Flexion Extension Spacer 18mm
7401-8621	JOURNEY Flexion Extension Spacer 21mm





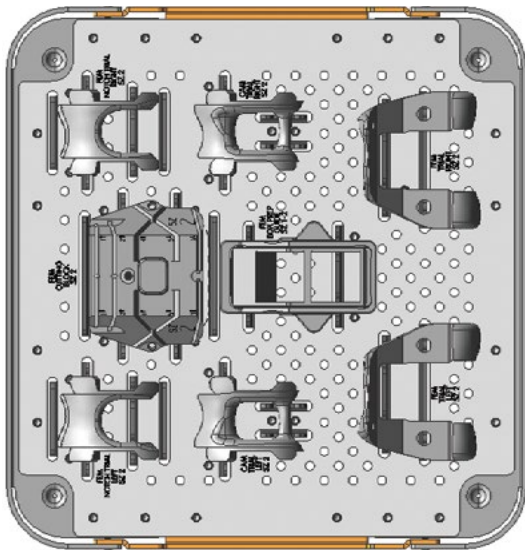
### 7401-0102 JOURNEY<sup>®</sup> II Patella Tray

Catalog Item	Description
114943	GENESIS <sup>®</sup> Caliper
7144-0311	GENESIS II Modified Patellar Reamer Guide
7144-0324	GENESIS II Patellar Reamer Shaft
7144-0326	GENESIS II Patellar Depth Stop
7144-0328	GENESIS II Biconvex Depth Gauge
7144-0330	GENESIS II Resurfacing Depth Gauge
7144-0342	GENESIS II 29mm Resurfacing Reamer
7144-0344	GENESIS II 32mm Resurfacing Reamer
7144-0346	GENESIS II 35mm Resurfacing Reamer
7144-0348	GENESIS II 26mm Resurfacing Reamer
7144-0510	GENESIS II Serrated Patellar Reamer Collet 23mm
7144-0512	GENESIS II Serrated Patellar Reamer Collet 26mm
7144-0514	GENESIS II Serrated Patellar Reamer Collet 29mm
7144-0516	GENESIS II Serrated Patellar Reamer Collet 32mm
7144-0518	GENESIS II Serrated Patellar Reamer Collet 35mm
7144-0634	GENESIS II Modified Biconvex Patellar Reamer 23mm
7144-0636	GENESIS II Modified Biconvex Patellar Reamer 26mm
7144-0638	GENESIS II Modified Biconvex Patellar Reamer 29mm
7144-0640	GENESIS II Modified Biconvex Patellar Reamer 32mm
7401-0401	JOURNEY Resurfacing Peg Drill
7401-0426	JOURNEY Resurfacing Drill Guide 26mm
7401-0429	JOURNEY Resurfacing Drill Guide 29mm
7401-0432	JOURNEY Resurfacing Drill Guide 32mm
7401-0435	JOURNEY Resurfacing Drill Guide 35mm
7401-9801	JOURNEY Patella Cement Clamp
7403-4623	JOURNEY Patella Trial Biconvex 23mm Std
7403-4626	JOURNEY Patella Trial Biconvex 26mm Std
7403-4629	JOURNEY Patella Trial Biconvex 29mm Std
7403-4632	JOURNEY Patella Trial Biconvex 32mm Std
7403-4826	JOURNEY Patella Trial Resurfacing 26mm Std
7403-4829	JOURNEY Patella Trial Resurfacing 29mm Std
7403-4832	JOURNEY Patella Trial Resurfacing 32mm Std
7403-4835	JOURNEY Patella Trial Resurfacing 35mm Std



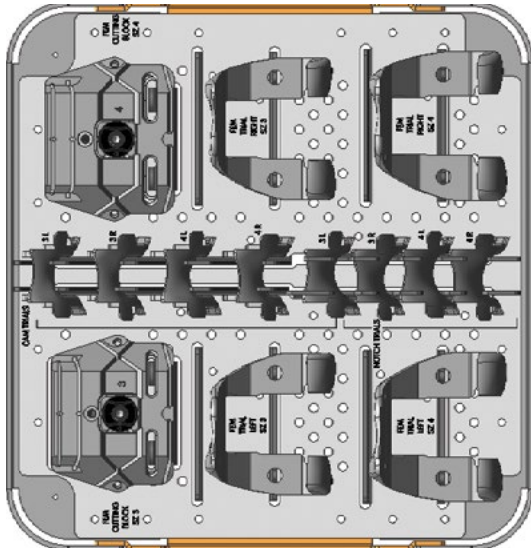
### 7401-0097 JOURNEY<sup>®</sup> II Outlier Sz 1 Tray

Catalog Item	Description
7401-1441	JOURNEY DCF A/P Femoral Cutting Block Sz 1
7403-1151	JOURNEY II Total Knee Femoral Trial RT Sz 1
7403-1161	JOURNEY II Total Knee Femoral Trial LT Sz 1
7403-1351	JOURNEY II CR Femoral Notch Trial RT Sz 1
7403-1361	JOURNEY II CR Femoral Notch Trial LT Sz 1
7403-2131	JOURNEY II BCS Cam Trial Sz 1 RT
7403-2141	JOURNEY II BCS Cam Trial Sz 1 LT



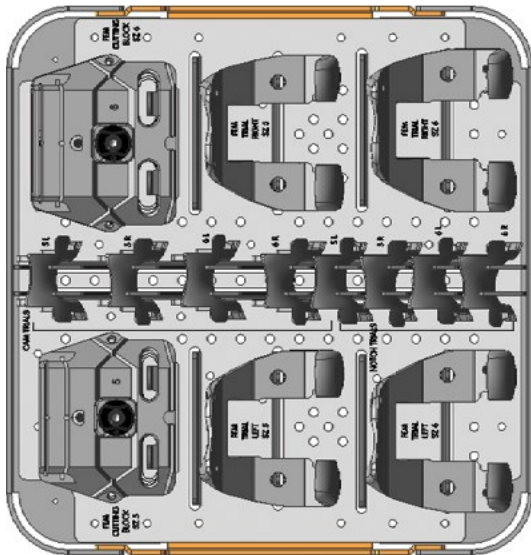
### 7401-0098 JOURNEY II Outlier Sz 2 Tray

Catalog Item	Description
7401-1442	JOURNEY DCF A/P Femoral Cutting Block Sz 2
7401-2574	JOURNEY II BCS Femoral Box Prep Guide Sz 1-2
7403-1212	JOURNEY II Total Knee Femoral Trial RT Sz 2
7403-1222	JOURNEY II Total Knee Femoral Trial LT Sz 2
7403-1352	JOURNEY II CR Femoral Notch Trial RT Sz 2
7403-1362	JOURNEY II CR Femoral Notch Trial LT Sz 2
7403-2132	JOURNEY II BCS Cam Trial Sz 2 RT
7403-2142	JOURNEY II BCS Cam Trial Sz 2 LT



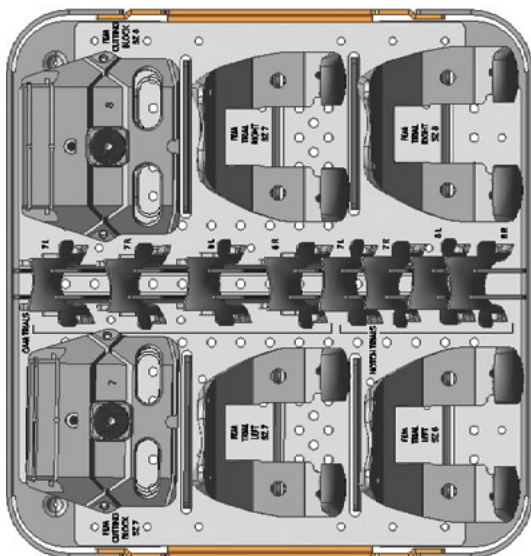
### 7401-0094 JOURNEY<sup>®</sup> II Femoral Sz 3-4 Tray

Catalog Item	Description
7401-2413	JOURNEY DCF A/P Femoral Cutting Block Sz 3
7401-2414	JOURNEY DCF A/P Femoral Cutting Block Sz 4
7403-1214	JOURNEY II Total Knee Femoral Trial RT Sz 4
7403-1224	JOURNEY II Total Knee Femoral Trial LT Sz 4
7403-1353	JOURNEY II CR Femoral Notch Trial RT Sz 3
7403-1354	JOURNEY II CR Femoral Notch Trial RT Sz 4
7403-1363	JOURNEY II CR Femoral Notch Trial LT Sz 3
7403-1364	JOURNEY II CR Femoral Notch Trial LT Sz 4
7403-1583	JOURNEY II Total Knee Femoral Trial RT Sz 3
7403-1593	JOURNEY II Total Knee Femoral Trial LT Sz 3
7403-2133	JOURNEY II BCS Cam Trial Sz 3 RT
7403-2134	JOURNEY II BCS Cam Trial Sz 4 RT
7403-2143	JOURNEY II BCS Cam Trial Sz 3 LT
7403-2144	JOURNEY II BCS Cam Trial Sz 4 LT



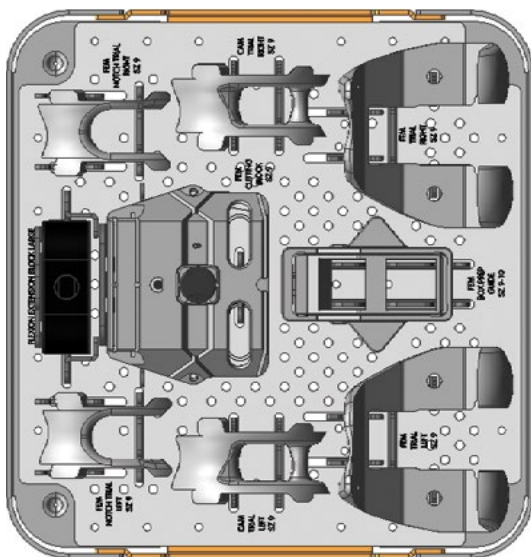
### 7401-0095 JOURNEY II Femoral Sz 5-6 Tray

Catalog Item	Description
7401-2415	JOURNEY DCF A/P Femoral Cutting Block Sz 5
7401-2416	JOURNEY DCF A/P Femoral Cutting Block Sz 6
7403-1215	JOURNEY II Total Knee Femoral Trial RT Sz 5
7403-1216	JOURNEY II Total Knee Femoral Trial RT Sz 6
7403-1225	JOURNEY II Total Knee Femoral Trial LT Sz 5
7403-1226	JOURNEY II Total Knee Femoral Trial LT Sz 6
7403-1355	JOURNEY II CR Femoral Notch Trial RT Sz 5
7403-1356	JOURNEY II CR Femoral Notch Trial RT Sz 6
7403-1365	JOURNEY II CR Femoral Notch Trial LT Sz 5
7403-1366	JOURNEY II CR Femoral Notch Trial LT Sz 6
7403-2135	JOURNEY II BCS Cam Trial Sz 5 RT
7403-2136	JOURNEY II BCS Cam Trial Sz 6 RT
7403-2145	JOURNEY II BCS Cam Trial Sz 5 LT
7403-2146	JOURNEY II BCS Cam Trial Sz 6 LT



### 7401-0096 JOURNEY<sup>®</sup> II Femoral Sz 7-8 Tray

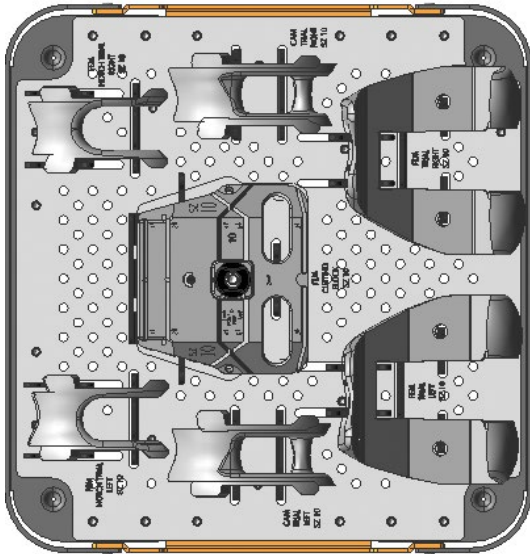
Catalog Item	Description
7401-2417	JOURNEY DCF A/P Femoral Cutting Block Sz 7
7401-2418	JOURNEY DCF A/P Femoral Cutting Block Sz 8
7403-1217	JOURNEY II TKA Knee Femoral Trial RT Sz 7
7403-1218	JOURNEY II TKA Knee Femoral Trial RT Sz 8
7403-1227	JOURNEY II TKA Knee Femoral Trial LT Sz 7
7403-1228	JOURNEY II TKA Knee Femoral Trial LT Sz 8
7403-1357	JOURNEY II CR Femoral Notch Trial RT Sz 7
7403-1358	JOURNEY II CR Femoral Notch Trial RT Sz 8
7403-1367	JOURNEY II CR Femoral Notch Trial LT Sz 7
7403-1368	JOURNEY II CR Femoral Notch Trial LT Sz 8
7403-2137	JOURNEY II BCS Cam Trial Sz 7 RT
7403-2138	JOURNEY II BCS Cam Trial Sz 8 RT
7403-2147	JOURNEY II BCS Cam Trial Sz 7 LT
7403-2148	JOURNEY II BCS Cam Trial Sz 8 LT



### 7401-0099 JOURNEY II Outlier Sz 9 Tray

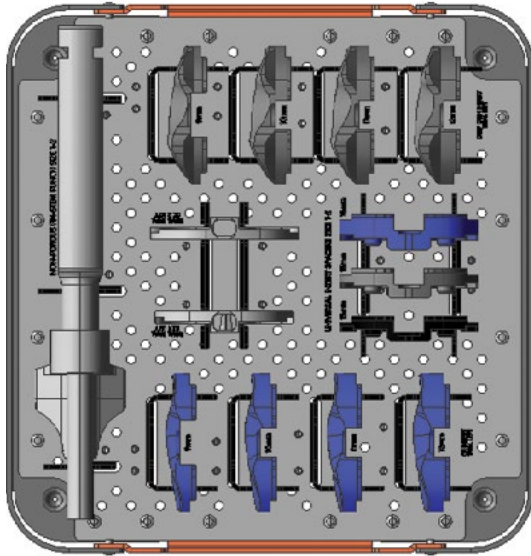
Catalog Item	Description
7401-2419	JOURNEY DCF A/P Femoral Cutting Block Sz 9
7401-2577	JOURNEY II BCS Box Prep Gd Sz 9-10
7401-8609	JOURNEY Flex Ext Block Large
7403-1159	JOURNEY II TKA Femoral Trial RT Sz 9
7403-1169	JOURNEY II TKA Femoral Trial LT Sz 9
7403-1359	JOURNEY II CR Femoral Notch Trial RT Sz 9
7403-1369	JOURNEY II CR Femoral Notch Trial LT Sz 9
7403-2139	JOURNEY II BCS Cam Trial Sz 9 RT
7403-2149	JOURNEY II BCS Cam Trial Sz 9 LT





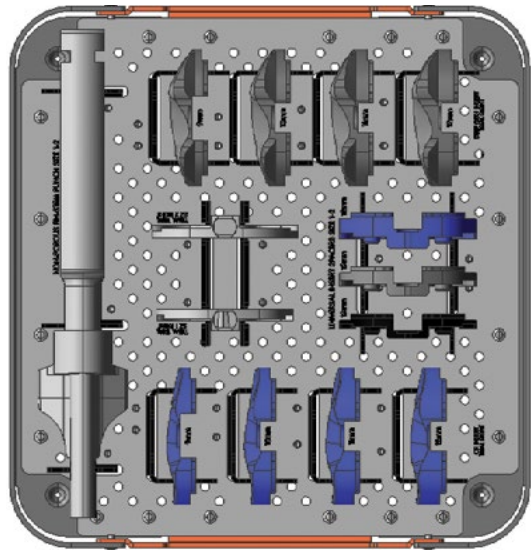
### 7401-0100 JOURNEY<sup>®</sup> II Outlier Sz 10 Tray

Catalog Item	Description
7401-2410	JOURNEY DCF A/P Femoral Cutting Block Sz 10
7403-1150	JOURNEY II Total Knee Femoral Trial RT Sz 10
7403-1160	JOURNEY II Total Knee Femoral Trial LT Sz 10
7403-1360	JOURNEY II CR Femoral Notch Trial RT Sz 10
7403-1370	JOURNEY II CR Femoral Notch Trial LT Sz 10
7403-2130	JOURNEY II BCS Cam Trial Sz 10 RT
7403-2140	JOURNEY II BCS Cam Trial Sz 10 LT



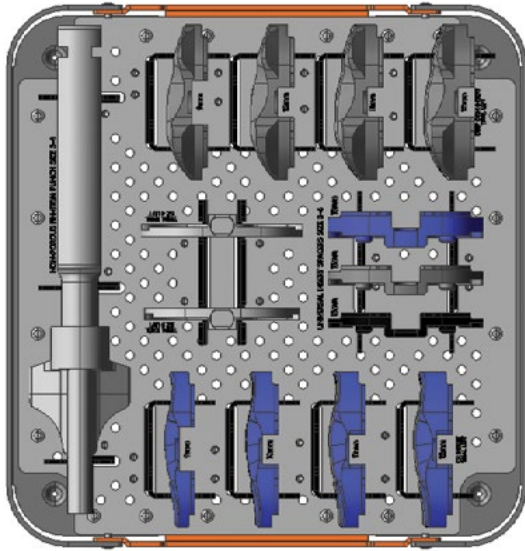
### 7401-0076 JOURNEY<sup>®</sup> II CR/Deep-Dished Tibia Sz 1-2 LT Tray

Catalog Item	Description
7144-9991	GENESIS <sup>®</sup> II Non-Porous Fin-Stem Punch Sz 1-2
7143-0161	GENESIS II Stemless Tibial Trial Sz 1 LT
7143-0163	GENESIS II Stemless Tibial Trial Sz 2 LT
7403-3614	Universal Insert Spacer Sz 1-2 13mm
7403-3615	Universal Insert Spacer Sz 1-2 15mm
7403-3616	Universal Insert Spacer Sz 1-2 18mm
7403-3621	JOURNEY II CR Insert Trial LT Sz 1-2 9mm
7403-3622	JOURNEY II CR Insert Trial LT Sz 1-2 10mm
7403-3623	JOURNEY II CR Insert Trial LT Sz 1-2 11mm
7403-3624	JOURNEY II CR Insert Trial LT Sz 1-2 12mm
7403-5721	JOURNEY II Deep-Dished Insert Trial LT Sz 1-2 9mm
7403-5722	JOURNEY II Deep-Dished Insert Trial LT Sz 1-2 10mm
7403-5723	JOURNEY II Deep-Dished Insert Trial LT Sz 1-2 11mm
7403-5724	JOURNEY II Deep-Dished Insert Trial LT Sz 1-2 12mm



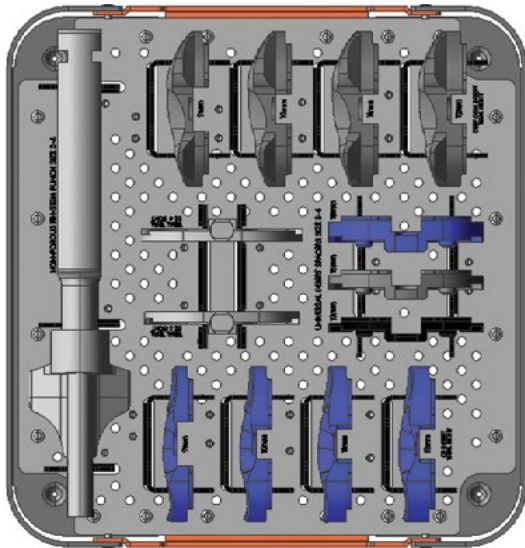
### 7401-0077 JOURNEY II CR/Deep-Dished Tibia Sz 1-2 RT Tray

Catalog Item	Description
7144-9991	GENESIS II Non-Porous Fin-Stem Punch Sz 1-2
7143-0177	GENESIS II Stemless Tibial Trial Sz 1 RT
7143-0179	GENESIS II Stemless Tibial Trial Sz 2 RT
7403-3610	JOURNEY II CR Insert Trial RT Sz 1-2 12mm
7403-3611	JOURNEY II CR Insert Trial RT Sz 1-2 9mm
7403-3612	JOURNEY II CR Insert Trial RT Sz 1-2 10mm
7403-3613	JOURNEY II CR Insert Trial RT Sz 1-2 11mm
7403-3614	Universal Insert Spacer Sz 1-2 13mm
7403-3615	Universal Insert Spacer Sz 1-2 15mm
7403-3616	Universal Insert Spacer Sz 1-2 18mm
7403-5711	JOURNEY II Deep-Dished Insert Trial RT Sz 1-2 9mm
7403-5712	JOURNEY II Deep-Dished Insert Trial RT Sz 1-2 10mm
7403-5713	JOURNEY II Deep-Dished Insert Trial RT Sz 1-2 11mm
7403-5714	JOURNEY II Deep-Dished Insert Trial RT Sz 1-2 12mm



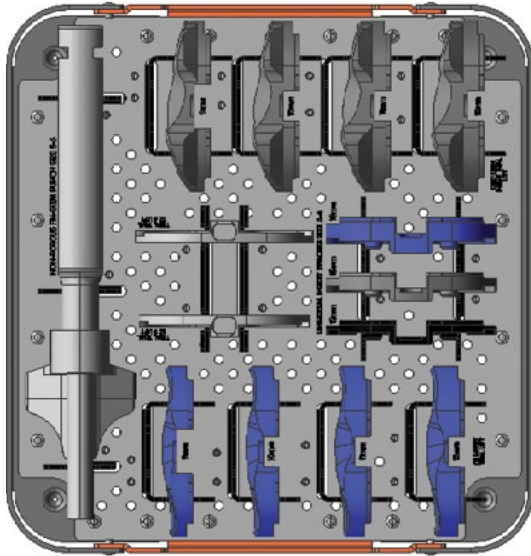
### 7401-0078 JOURNEY<sup>®</sup> II CR/Deep-Dished Tibia Sz 3-4 LT Tray

Catalog Item	Description
7144-9993	GENESIS <sup>®</sup> II Non-Porous Fin-Stem Punch Sz 3-4
7143-0165	GENESIS II Stemless Tibial Trial Sz 3 LT
7143-0167	GENESIS II Stemless Tibial Trial Sz 4 LT
7403-3634	Universal Insert Spacer Sz 3-4 13mm
7403-3635	Universal Insert Spacer Sz 3-4 15mm
7403-3636	Universal Insert Spacer Sz 3-4 18mm
7403-3641	JOURNEY II CR Insert Trial LT Sz 3-4 9mm
7403-3642	JOURNEY II CR Insert Trial LT Sz 3-4 10mm
7403-3643	JOURNEY II CR Insert Trial LT Sz 3-4 11mm
7403-3644	JOURNEY II CR Insert Trial LT Sz 3-4 12mm
7403-5741	JOURNEY II Deep-Dished Insert Trial LT Sz 3-4 9mm
7403-5742	JOURNEY II Deep-Dished Insert Trial LT Sz 3-4 10mm
7403-5743	JOURNEY II Deep-Dished Insert Trial LT Sz 3-4 11mm
7403-5744	JOURNEY II Deep-Dished Insert Trial LT Sz 3-4 12mm



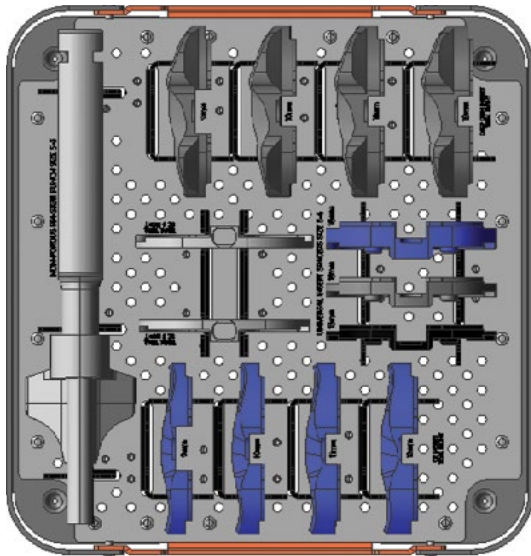
### 7401-0079 JOURNEY II CR/Deep-Dished Tibia Sz 3-4 RT Tray

Catalog Item	Description
7144-9993	GENESIS II Non-Porous Fin-Stem Punch Sz 3-4
7143-0181	GENESIS II Stemless Tibial Trial Sz 3 RT
7143-0183	GENESIS II Stemless Tibial Trial Sz 4 RT
7403-3630	JOURNEY II CR Insert Trial RT Sz 3-4 12mm
7403-3631	JOURNEY II CR Insert Trial RT Sz 3-4 9mm
7403-3632	JOURNEY II CR Insert Trial RT Sz 3-4 10mm
7403-3633	JOURNEY II CR Insert Trial RT Sz 3-4 11mm
7403-3634	Universal Insert Spacer Sz 3-4 13mm
7403-3635	Universal Insert Spacer Sz 3-4 15mm
7403-3636	Universal Insert Spacer Sz 3-4 18mm
7403-5731	JOURNEY II Deep-Dished Insert Trial RT Sz 3-4 9mm
7403-5732	JOURNEY II Deep-Dished Insert Trial RT Sz 3-4 10mm
7403-5733	JOURNEY II Deep-Dished Insert Trial RT Sz 3-4 11mm
7403-5734	JOURNEY II Deep-Dished Insert Trial RT Sz 3-4 12mm



**7401-0080 JOURNEY<sup>®</sup> II CR/Deep-Dished Tibia Sz 5-6 LT Tray**

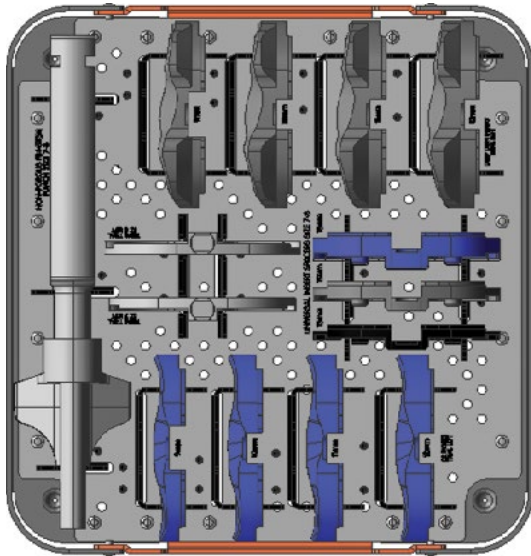
Catalog Item	Description
7144-9995	GENESIS <sup>®</sup> II Non-Porous Fin-Stem Punch Sz 5-6
7143-0169	GENESIS II Stemless Tibial Trial Sz 5 LT
7143-0171	GENESIS II Stemless Tibial Trial Sz 6 LT
7403-3654	Universal Insert Spacer Sz 5-6 13mm
7403-3655	Universal Insert Spacer Sz 5-6 15mm
7403-3656	Universal Insert Spacer Sz 5-6 18mm
7403-3661	JOURNEY II CR Insert Trial LT Sz 5-6 9mm
7403-3662	JOURNEY II CR Insert Trial LT Sz 5-6 10mm
7403-3663	JOURNEY II CR Insert Trial LT Sz 5-6 11mm
7403-3664	JOURNEY II CR Insert Trial LT Sz 5-6 12mm
7403-5761	JOURNEY II Deep-Dished Insert Trial LT Sz 5-6 9mm
7403-5762	JOURNEY II Deep-Dished Insert Trial LT Sz 5-6 10mm
7403-5763	JOURNEY II Deep-Dished Insert Trial LT Sz 5-6 11mm
7403-5764	JOURNEY II Deep-Dished Insert Trial LT Sz 5-6 12mm



**7401-0081 JOURNEY II CR/Deep-Dished Tibia Sz 5-6 RT Tray**

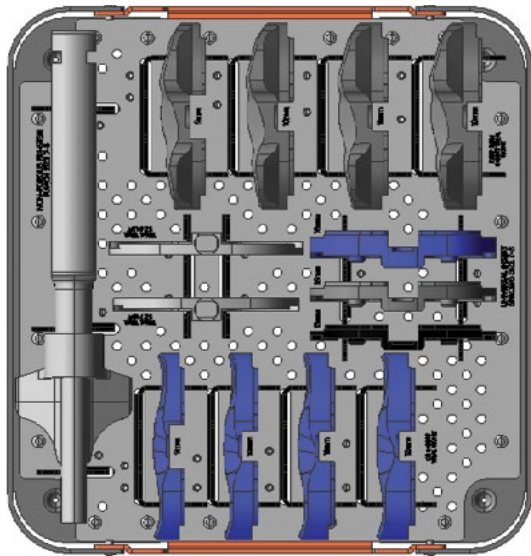
Catalog Item	Description
7144-9995	GENESIS II Non-Porous Fin-Stem Punch Sz 5-6
7143-0185	GENESIS II Stemless Tibial Trial Sz 5 RT
7143-0187	GENESIS II Stemless Tibial Trial Sz 6 RT
7403-3650	JOURNEY II CR Insert Trial RT Sz 5-6 12mm
7403-3651	JOURNEY II CR Insert Trial RT Sz 5-6 9mm
7403-3652	JOURNEY II CR Insert Trial RT Sz 5-6 10mm
7403-3653	JOURNEY II CR Insert Trial RT Sz 5-6 11mm
7403-3654	Universal Insert Spacer Sz 5-6 13mm
7403-3655	Universal Insert Spacer Sz 5-6 15mm
7403-3656	Universal Insert Spacer Sz 5-6 18mm
7403-5751	JOURNEY II Deep-Dished Insert Trial RT Sz 5-6 9mm
7403-5752	JOURNEY II Deep-Dished Insert Trial RT Sz 5-6 10mm
7403-5753	JOURNEY II Deep-Dished Insert Trial RT Sz 5-6 11mm
7403-5754	JOURNEY II Deep-Dished Insert Trial RT Sz 5-6 12mm





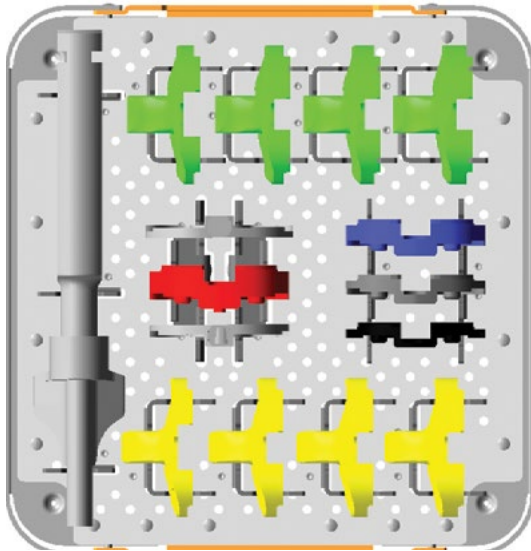
**7401-0082 JOURNEY<sup>®</sup> II CR/Deep-Dished Tibia Sz 7-8 LT Tray**

Catalog Item	Description
7144-9997	GENESIS <sup>®</sup> II Non-Porous Fin-Stem Punch Sz 7-8
7143-0173	GENESIS II Stemless Tibial Trial Sz 7 LT
7143-0175	GENESIS II Stemless Tibial Trial Sz 8 LT
7403-3674	Universal Insert Spacer Sz 7-8 13mm
7403-3675	Universal Insert Spacer Sz 7-8 15mm
7403-3676	Universal Insert Spacer Sz 7-8 18mm
7403-3681	JOURNEY II CR Insert Trial LT Sz 7-8 9mm
7403-3682	JOURNEY II CR Insert Trial LT Sz 7-8 10mm
7403-3683	JOURNEY II CR Insert Trial LT Sz 7-8 11mm
7403-3684	JOURNEY II CR Insert Trial LT Sz 7-8 12mm
7403-5781	JOURNEY II Deep-Dished Insert Trial LT Sz 7-8 9mm
7403-5782	JOURNEY II Deep-Dished Insert Trial LT Sz 7-8 10mm
7403-5783	JOURNEY II Deep-Dished Insert Trial LT Sz 7-8 11mm
7403-5784	JOURNEY II Deep-Dished Insert Trial LT Sz 7-8 12mm



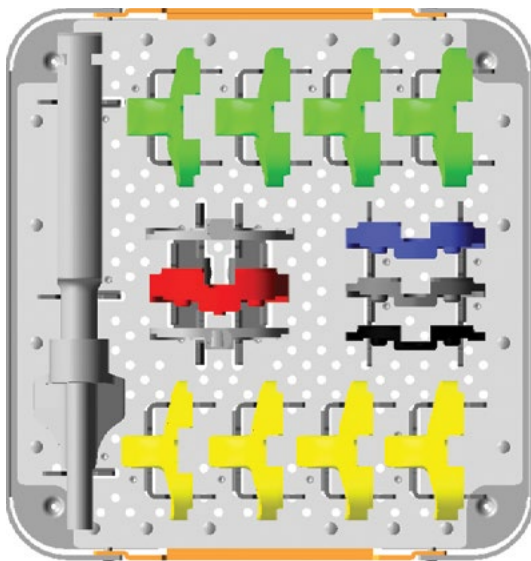
**7401-0083 JOURNEY II CR/Deep-Dished Tibia Sz 7-8 RT Tray**

Catalog Item	Description
7144-9997	GENESIS II Non-Porous Fin-Stem Punch Sz 7-8
7143-0189	GENESIS II Stemless Tibial Trial Sz 7 RT
7143-0191	GENESIS II Stemless Tibial Trial Sz 8 RT
7403-3670	JOURNEY II CR Insert Trial RT Sz 7-8 12mm
7403-3671	JOURNEY II CR Insert Trial RT Sz 7-8 9mm
7403-3672	JOURNEY II CR Insert Trial RT Sz 7-8 10mm
7403-3673	JOURNEY II CR Insert Trial RT Sz 7-8 11mm
7403-3674	Universal Insert Spacer Sz 7-8 13mm
7403-3675	Universal Insert Spacer Sz 7-8 15mm
7403-3676	Universal Insert Spacer Sz 7-8 18mm
7403-5771	JOURNEY II Deep-Dished Insert Trial RT Sz 7-8 9mm
7403-5772	JOURNEY II Deep-Dished Insert Trial RT Sz 7-8 10mm
7403-5773	JOURNEY II Deep-Dished Insert Trial RT Sz 7-8 11mm
7403-5774	JOURNEY II Deep-Dished Insert Trial RT Sz 7-8 12mm



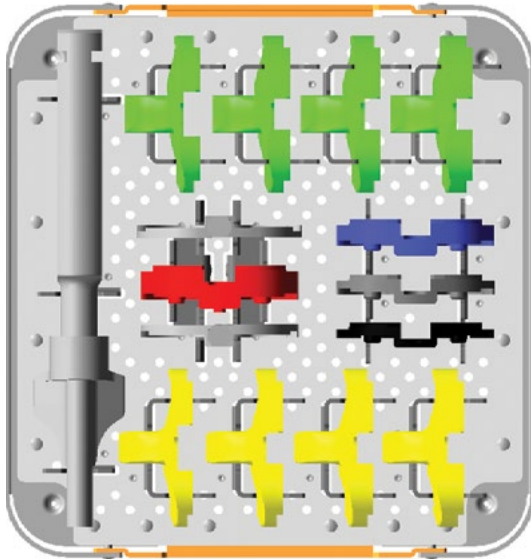
**7401-0086 JOURNEY<sup>®</sup> II BCS/Constrained Tibia  
Sz 1-2 LT Tray**

Catalog Item	Description
7144-9991	GENESIS <sup>®</sup> II Non-Porous Fin-Stem Punch Sz 1-2
7143-0161	GENESIS II Stemless Tibial Trial Sz 1 LT
7143-0163	GENESIS II Stemless Tibial Trial Sz 2 LT
7403-3614	Universal Insert Spacer Sz 1-2 13mm
7403-3615	Universal Insert Spacer Sz 1-2 15mm
7403-3616	Universal Insert Spacer Sz 1-2 18mm
7403-3617	Universal Insert Spacer Sz 1-2 21mm
7403-4221	JOURNEY II Constrained Insert Trial Sz 1-2 9mm LT
7403-4222	JOURNEY II Constrained Insert Trial Sz 1-2 10mm LT
7403-4224	JOURNEY II Constrained Insert Trial Sz 1-2 11mm LT
7403-4225	JOURNEY II Constrained Insert Trial Sz 1-2 12mm LT
7403-5221	JOURNEY II BCS Insert Trial Sz 1-2 9mm LT
7403-5222	JOURNEY II BCS Insert Trial Sz 1-2 10mm LT
7403-5223	JOURNEY II BCS Insert Trial Sz 1-2 11mm LT
7403-5224	JOURNEY II BCS Insert Trial Sz 1-2 12mm LT



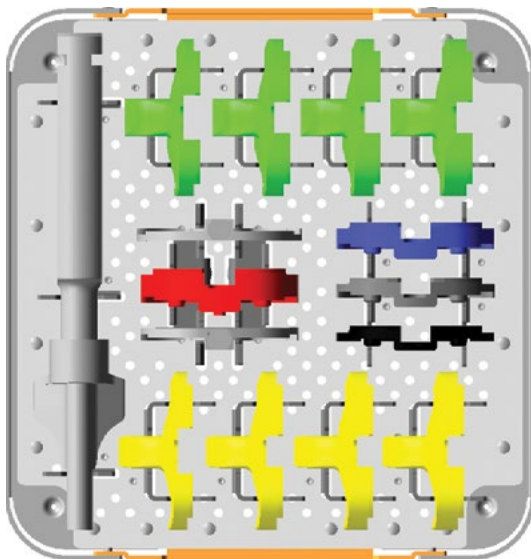
**7401-0087 JOURNEY II BCS/Constrained Tibia  
Sz 1-2 RT Tray**

Catalog Item	Description
7144-9991	GENESIS II Non-Porous Fin-Stem Punch Sz 1-2
7143-0177	GENESIS II Stemless Tibial Trial Sz 1 RT
7143-0179	GENESIS II Stemless Tibial Trial Sz 2 RT
7403-3614	Universal Insert Spacer Sz 1-2 13mm
7403-3615	Universal Insert Spacer Sz 1-2 15mm
7403-3616	Universal Insert Spacer Sz 1-2 18mm
7403-3617	Universal Insert Spacer Sz 1-2 21mm
7403-4211	JOURNEY II Constrained Insert Trial Sz 1-2 9mm RT
7403-4212	JOURNEY II Constrained Insert Trial Sz 1-2 10mm RT
7403-4213	JOURNEY II Constrained Insert Trial Sz 1-2 11mm RT
7403-4214	JOURNEY II Constrained Insert Trial Sz 1-2 12mm RT
7403-5211	JOURNEY II BCS Insert Trial Sz 1-2 9mm RT
7403-5212	JOURNEY II BCS Insert Trial Sz 1-2 10mm RT
7403-5213	JOURNEY II BCS Insert Trial Sz 1-2 11mm RT
7403-5214	JOURNEY II BCS Insert Trial Sz 1-2 12mm RT



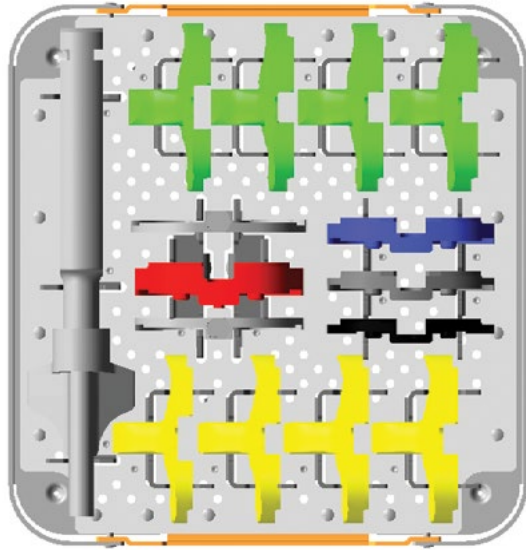
**7401-0088 JOURNEY<sup>®</sup> II BCS/Constrained Tibia Sz 3-4 LT Tray**

Catalog Item	Description
7144-9993	GENESIS <sup>®</sup> II Non-Porous Fin-Stem Punch Sz 3-4
7143-0165	GENESIS II Stemless Tibial Trial Sz 3 LT
7143-0167	GENESIS II Stemless Tibial Trial Sz 4 LT
7403-3634	Universal Insert Spacer Sz 3-4 13mm
7403-3635	Universal Insert Spacer Sz 3-4 15mm
7403-3636	Universal Insert Spacer Sz 3-4 18mm
7403-3637	Universal Insert Spacer Sz 3-4 21mm
7403-4241	JOURNEY II Constrained Insert Trial Sz 3-4 9mm LT
7403-4242	JOURNEY II Constrained Insert Trial Sz 3-4 10mm LT
7403-4243	JOURNEY II Constrained Insert Trial Sz 3-4 11mm LT
7403-4244	JOURNEY II Constrained Insert Trial Sz 3-4 12mm LT
7403-5241	JOURNEY II BCS Insert Trial Sz 3-4 9mm LT
7403-5242	JOURNEY II BCS Insert Trial Sz 3-4 10mm LT
7403-5243	JOURNEY II BCS Insert Trial Sz 3-4 11mm LT
7403-5244	JOURNEY II BCS Insert Trial Sz 3-4 12mm LT



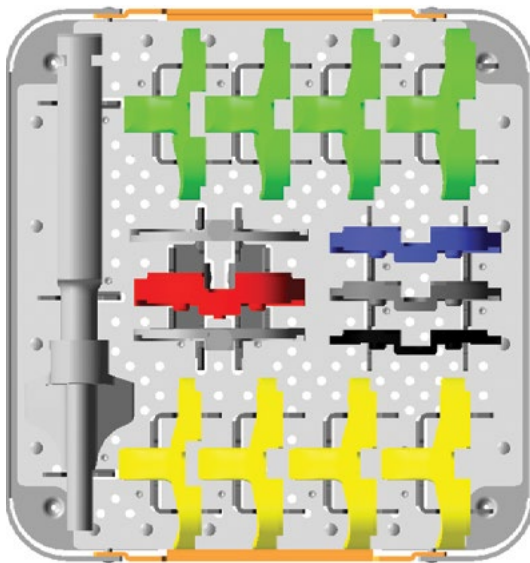
**7401-0089 JOURNEY II BCS/Constrained Tibia Sz 3-4 RT Tray**

Catalog Item	Description
7144-9993	GENESIS II Non-Porous Fin-Stem Punch Sz 3-4
7143-0181	GENESIS II Stemless Tibial Trial Sz 3 RT
7143-0183	GENESIS II Stemless Tibial Trial Sz 4 RT
7403-3634	Universal Insert Spacer Sz 3-4 13mm
7403-3635	Universal Insert Spacer Sz 3-4 15mm
7403-3636	Universal Insert Spacer Sz 3-4 18mm
7403-3637	Universal Insert Spacer Sz 3-4 21mm
7403-4231	JOURNEY II Constrained Insert Trial Sz 3-4 9mm RT
7403-4233	JOURNEY II Constrained Insert Trial Sz 3-4 10mm RT
7403-4234	JOURNEY II Constrained Insert Trial Sz 3-4 11mm RT
7403-4235	JOURNEY II Constrained Insert Trial Sz 3-4 12mm RT
7403-5231	JOURNEY II BCS Insert Trial Sz 3-4 9mm RT
7403-5232	JOURNEY II BCS Insert Trial Sz 3-4 10mm RT
7403-5233	JOURNEY II BCS Insert Trial Sz 3-4 11mm RT
7403-5234	JOURNEY II BCS Insert Trial Sz 3-4 12mm RT



**7401-0090 JOURNEY<sup>®</sup> II BCS/Constrained Tibia Sz 5-6 LT Tray**

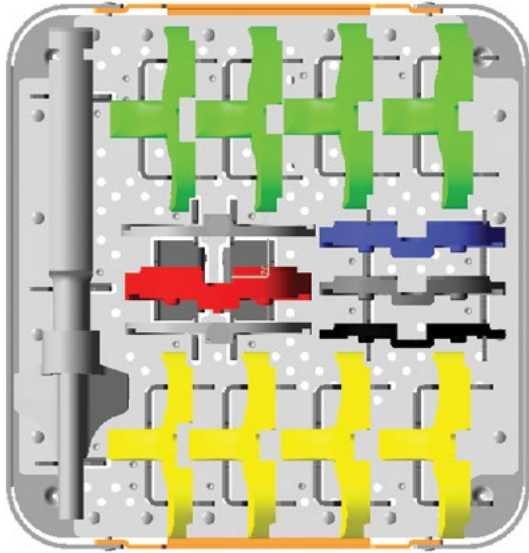
Catalog Item	Description
7144-9995	GENESIS <sup>®</sup> II Non-Porous Fin-Stem Punch Sz 5-6
7143-0169	GENESIS II Stemless Tibial Trial Sz 5 LT
7143-0171	GENESIS II Stemless Tibial Trial Sz 6 LT
7403-3654	Universal Insert Spacer Sz 5-6 13mm
7403-3655	Universal Insert Spacer Sz 5-6 15mm
7403-3656	Universal Insert Spacer Sz 5-6 18mm
7403-3657	Universal Insert Spacer Sz 5-6 21mm
7403-4261	JOURNEY II Constrained Insert Trial Sz 5-6 9mm LT
7403-4262	JOURNEY II Constrained Insert Trial Sz 5-6 10mm LT
7403-4263	JOURNEY II Constrained Insert Trial Sz 5-6 11mm LT
7403-4264	JOURNEY II Constrained Insert Trial Sz 5-6 12mm LT
7403-5261	JOURNEY II BCS Insert Trial Sz 5-6 9mm LT
7403-5262	JOURNEY II BCS Insert Trial Sz 5-6 10mm LT
7403-5263	JOURNEY II BCS Insert Trial Sz 5-6 11mm LT
7403-5264	JOURNEY II BCS Insert Trial Sz 5-6 12mm LT



**7401-0091 JOURNEY II BCS/Constrained Tibia Sz 5-6 RT Tray**

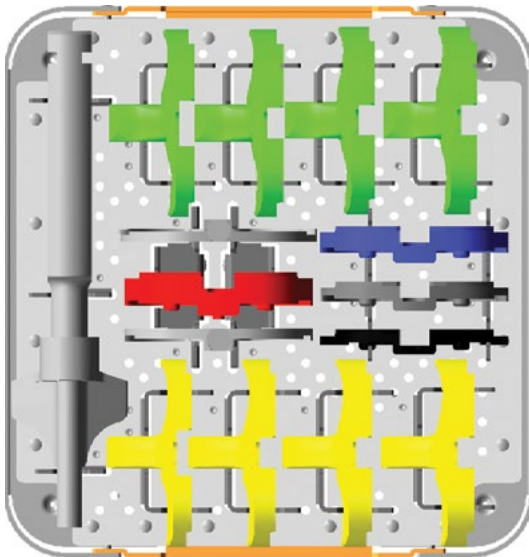
Catalog Item	Description
7144-9995	GENESIS II Non-Porous Fin-Stem Punch Sz 5-6
7143-0185	GENESIS II Stemless Tibial Trial Sz 5 RT
7143-0187	GENESIS II Stemless Tibial Trial Sz 6 RT
7403-3654	Universal Insert Spacer Sz 5-6 13mm
7403-3655	Universal Insert Spacer Sz 5-6 15mm
7403-3656	Universal Insert Spacer Sz 5-6 18mm
7403-3657	Universal Insert Spacer Sz 5-6 21mm
7403-4251	JOURNEY II Constrained Insert Trial Sz 5-6 9mm RT
7403-4252	JOURNEY II Constrained Insert Trial Sz 5-6 10mm RT
7403-4253	JOURNEY II Constrained Insert Trial Sz 5-6 11mm RT
7403-4254	JOURNEY II Constrained Insert Trial Sz 5-6 12mm RT
7403-5251	JOURNEY II BCS Insert Trial Sz 5-6 9mm RT
7403-5252	JOURNEY II BCS Insert Trial Sz 5-6 10mm RT
7403-5253	JOURNEY II BCS Insert Trial Sz 5-6 11mm RT
7403-5254	JOURNEY II BCS Insert Trial Sz 5-6 12mm RT





**7401-0092 JOURNEY<sup>®</sup> II BCS/Constrained Tibia  
Sz 7-8 LT Tray**

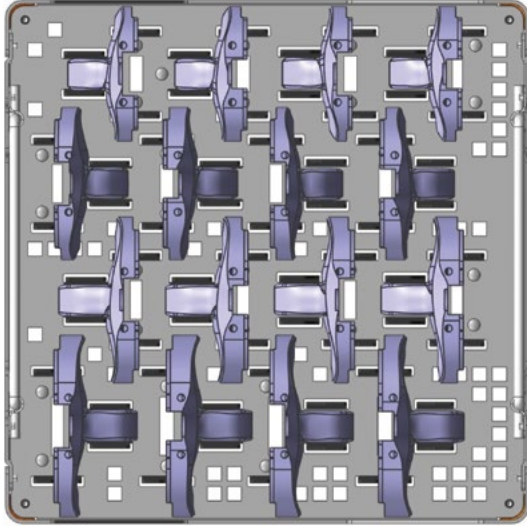
Catalog Item	Description
7144-9997	GENESIS <sup>®</sup> II Non-Porous Fin-Stem Punch Sz 7-8
7143-0173	GENESIS II Stemless Tibial Trial Sz 7 LT
7143-0175	GENESIS II Stemless Tibial Trial Sz 8 LT
7403-3674	Universal Insert Spacer Sz 7-8 13mm
7403-3675	Universal Insert Spacer Sz 7-8 15mm
7403-3676	Universal Insert Spacer Sz 7-8 18mm
7403-3677	Universal Insert Spacer Sz 7-8 21mm
7403-4281	JOURNEY II Constrained Insert Trial Sz 7-8 9mm LT
7403-4282	JOURNEY II Constrained Insert Trial Sz 7-8 10mm LT
7403-4283	JOURNEY II Constrained Insert Trial Sz 7-8 11mm LT
7403-4284	JOURNEY II Constrained Insert Trial Sz 7-8 12mm LT
7403-5281	JOURNEY II BCS Insert Trial Sz 7-8 9mm LT
7403-5282	JOURNEY II BCS Insert Trial Sz 7-8 10mm LT
7403-5283	JOURNEY II BCS Insert Trial Sz 7-8 11mm LT
7403-5284	JOURNEY II BCS Insert Trial Sz 7-8 12mm LT



**7401-0093 JOURNEY II BCS/Constrained Tibia  
Sz 7-8 RT Tray**

Catalog Item	Description
7144-9997	GENESIS II Non-Porous Fin-Stem Punch Sz 7-8
7143-0189	GENESIS II Stemless Tibial Trial Sz 7 RT
7143-0191	GENESIS II Stemless Tibial Trial Sz 8 RT
7403-3674	Universal Insert Spacer Sz 7-8 13mm
7403-3675	Universal Insert Spacer Sz 7-8 15mm
7403-3676	Universal Insert Spacer Sz 7-8 18mm
7403-3677	Universal Insert Spacer Sz 7-8 21mm
7403-4271	JOURNEY II Constrained Insert Trial Sz 7-8 9mm RT
7403-4272	JOURNEY II Constrained Insert Trial Sz 7-8 10mm RT
7403-4273	JOURNEY II Constrained Insert Trial Sz 7-8 11mm RT
7403-4274	JOURNEY II Constrained Insert Trial Sz 7-8 12mm RT
7403-5271	JOURNEY II BCS Insert Trial Sz 7-8 9mm RT
7403-5272	JOURNEY II BCS Insert Trial Sz 7-8 10mm RT
7403-5273	JOURNEY II BCS Insert Trial Sz 7-8 11mm RT
7403-5274	JOURNEY II BCS Insert Trial Sz 7-8 12mm RT

## JOURNEY<sup>o</sup> II AS Tray configuration



### 7403-1230 JOURNEY<sup>o</sup> II Articular Stabilized Insert Trials 9-10mm

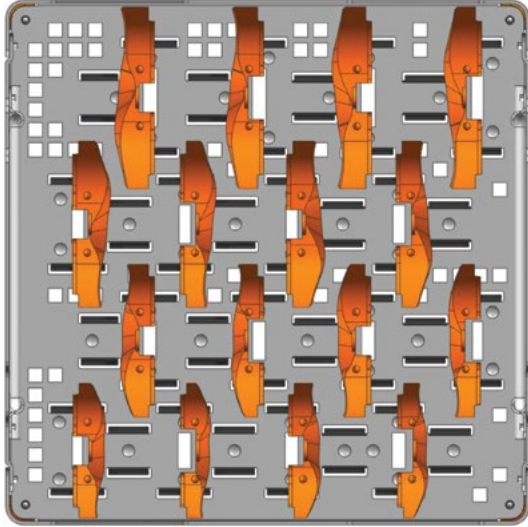
Catalog Item	Description
74031231	JOURNEY II Articular Stabilized Insert Trial Sz 1-2 RT 9mm
74031232	JOURNEY II Articular Stabilized Insert Trial Sz 1-2 RT 10mm
74031233	JOURNEY II Articular Stabilized Insert Trial Sz 1-2 LT 9mm
74031234	JOURNEY II Articular Stabilized Insert Trial Sz 1-2 LT 10mm
74031235	JOURNEY II Articular Stabilized Insert Trial Sz 3-4 RT 9mm
74031236	JOURNEY II Articular Stabilized Insert Trial Sz 3-4 RT 10mm
74031237	JOURNEY II Articular Stabilized Insert Trial Sz 3-4 LT 9mm
74031238	JOURNEY II Articular Stabilized Insert Trial Sz 3-4 LT 10mm
74031241	JOURNEY II Articular Stabilized Insert Trial Sz 5-6 RT 9mm
74031242	JOURNEY II Articular Stabilized Insert Trial Sz 5-6 RT 10mm
74031243	JOURNEY II Articular Stabilized Insert Trial Sz 5-6 LT 9mm
74031244	JOURNEY II Articular Stabilized Insert Trial Sz 5-6 LT 10mm
74031245	JOURNEY II Articular Stabilized Insert Trial Sz 7-8 RT 9mm
74031246	JOURNEY II Articular Stabilized Insert Trial Sz 7-8 RT 10mm
74031247	JOURNEY II Articular Stabilized Insert Trial Sz 7-8 LT 9mm
74031248	JOURNEY II Articular Stabilized Insert Trial Sz 7-8 LT 10mm

### 7401-6320 JOURNEY II MD/AS Add-On Instruments – Universal\*

Catalog Item	Description
7401-6259	Articular Insert Trial Adaptor
7401-6213	EM Alignment Guide Handle
7401-6260	Universal Insert Spacer Sz 1-2 11mm
7401-6261	Universal Insert Spacer Sz 1-2 12mm
7401-6262	Universal Insert Spacer Sz 3-4 11mm
7401-6263	Universal Insert Spacer Sz 3-4 12mm
7401-6264	Universal Insert Spacer Sz 5-6 11mm
7401-6265	Universal Insert Spacer Sz 5-6 12mm
7401-6266	Universal Insert Spacer Sz 7-8 11mm
7401-6267	Universal Insert Spacer Sz 7-8 12mm

\*This set is required if a Universal Instrument Set will be used with the JOURNEY II Medial Dished or Articular Stabilized insert trials.

## JOURNEY<sup>◇</sup> II MD Tray configuration



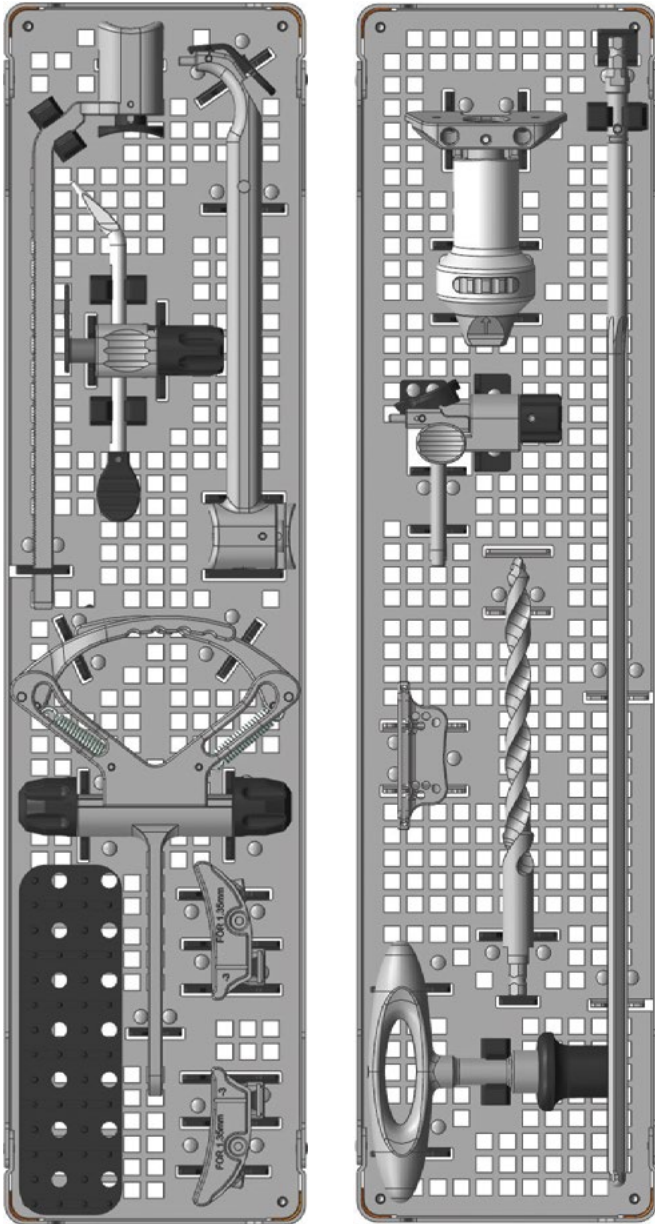
### 7403-1250 JOURNEY II Medial Dished Insert Trials (9-10mm)

Catalog Item	Description
74031251	JOURNEY II Medial Dished Insert Trial Sz 1-2 RT 9mm
74031252	JOURNEY II Medial Dished Insert Trial Sz 1-2 RT 10mm
74031253	JOURNEY II Medial Dished Insert Trial Sz 1-2 LT 9mm
74031254	JOURNEY II Medial Dished Insert Trial Sz 1-2 LT 10mm
74031255	JOURNEY II Medial Dished Insert Trial Sz 3-4 RT 9mm
74031256	JOURNEY II Medial Dished Insert Trial Sz 3-4 RT 10mm
74031257	JOURNEY II Medial Dished Insert Trial Sz 3-4 LT 9mm
74031258	JOURNEY II Medial Dished Insert Trial Sz 3-4 LT 10mm
74031261	JOURNEY II Medial Dished Insert Trial Sz 5-6 RT 9mm
74031262	JOURNEY II Medial Dished Insert Trial Sz 5-6 RT 10mm
74031263	JOURNEY II Medial Dished Insert Trial Sz 5-6 LT 9mm
74031264	JOURNEY II Medial Dished Insert Trial Sz 5-6 LT 10mm
74031265	JOURNEY II Medial Dished Insert Trial Sz 7-8 RT 9mm
74031266	JOURNEY II Medial Dished Insert Trial Sz 7-8 RT 10mm
74031267	JOURNEY II Medial Dished Insert Trial Sz 7-8 LT 9mm
74031268	JOURNEY II Medial Dished Insert Trial Sz 7-8 LT 10mm

### 7401-6320 JOURNEY II MD/AS Add-On Instruments – Universal\*

Catalog Item	Description
7401-6259	Articular Insert Trial Adaptor
7401-6213	EM Alignment Guide Handle
7401-6260	Universal Insert Spacer Sz 1-2 11mm
7401-6261	Universal Insert Spacer Sz 1-2 12mm
7401-6262	Universal Insert Spacer Sz 3-4 11mm
7401-6263	Universal Insert Spacer Sz 3-4 12mm
7401-6264	Universal Insert Spacer Sz 5-6 11mm
7401-6265	Universal Insert Spacer Sz 5-6 12mm
7401-6266	Universal Insert Spacer Sz 7-8 11mm
7401-6267	Universal Insert Spacer Sz 7-8 12mm

\*This set is required if a Universal Instrument Set will be used with the JOURNEY II Medial Dished or Articular Stabilized insert trials.



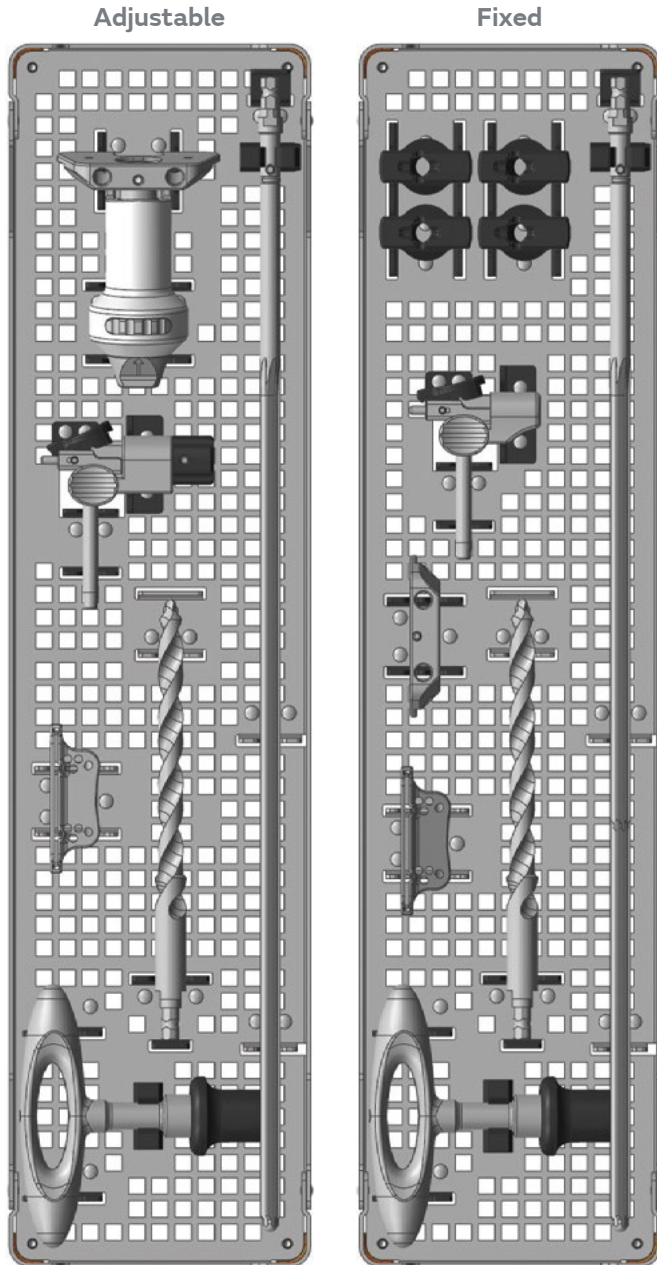
## Femoral alignment options

Option	Catalog Item	Description
Standard	7401-6430	Adjustable Femoral Alignment
Alternative	7401-6350	Fixed Femoral Alignment

## Tibial alignment options

Option	Catalog Item	Description
Standard	7401-6450	Macro Guide Tibial Alignment
Alternative	7401-6360	Micro Extramedullary Tibial Module

**Note** To complete the Alignment Set, one of the Femoral Alignment and one of the Tibia Alignment configurations must be ordered. Pictured to the left are the standard femoral and tibial alignment options.



**Adjustable Femoral Alignment - Standard option  
Set No. 7401-6430**

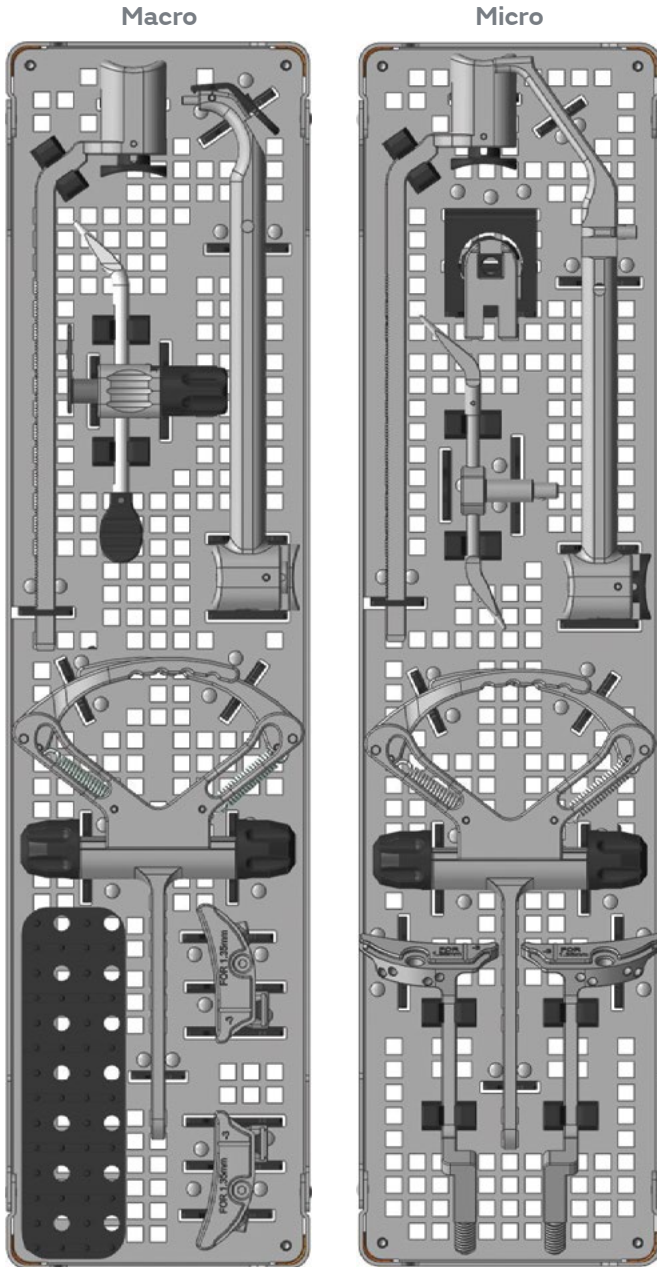
Catalog Item	Description
7167-4576	TRIGEN T-Handle
7401-6205	Distal Femur Cutting Block
7401-2111	Intramedullary Drill 9.5mm
7401-6211	IM Rod Long
7401-6212	IM Rod Short
7401-6203	Distal Cut Valgus Guide Bridge Adjustable
7401-6210	Variable Angle Valgus Guide
7403-4130	S+N Adjustable Femoral Alignment Module
7403-4286	72mm Modular Tray
7403-4289	Modular Tray Metal Lid

**Fixed Femoral Alignment - Alternative option  
Set No. 7401-6350**

Catalog Item	Description
7167-4576	TRIGEN T-Handle
7401-6205	Distal Femur Cutting Block
7401-2111	Intramedullary Drill 9.5mm
7401-6211	IM Rod Long
7401-6212	IM Rod Short
7401-6200	Distal Cut Valgus Guide
7401-6202	Distal Cut Valgus Guide Bridge Fixed
7401-6206	Four Degree Valgus Bushing
7401-6207	Five Degree Valgus Bushing
7401-6208	Six Degree Valgus Bushing
7401-6209	Seven Degree Valgus Bushing
7403-4133	S+N Fixed Femoral Alignment Module
7403-4286	72mm Modular Tray
7403-4289	Modular Tray Metal Lid

**Note** Order one Femoral Alignment Set. In order to complete the Alignment Set, one of the Tibia Alignment sets must also be ordered.





## Macro Guide Tibial Alignment - Standard option Set No. 7401-6450

Catalog Item	Description
	Finger Mat
7401-6216	Tibial Cutting Guide Three Deg Left
7401-6217	Tibial Cutting Guide Three Deg Right
7401-6241	Ankle Clamp
7401-6231	EM Posterior Slope Guide
7401-6229	Tibial Stylus Adjustable Footed
7401-6232	EM Tibial Alignment Tube Macro
7403-2502	S+N Macro Guide Tibial Module

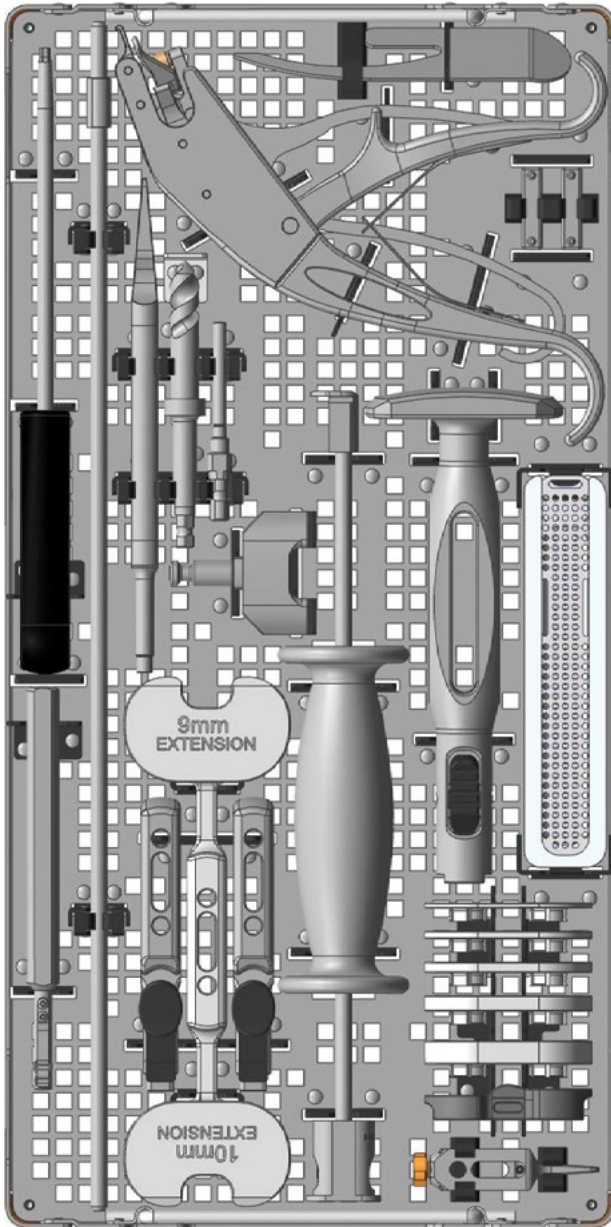
## Micro Extramedullary Tibial Module - Alternative option Set No. 7401-6360

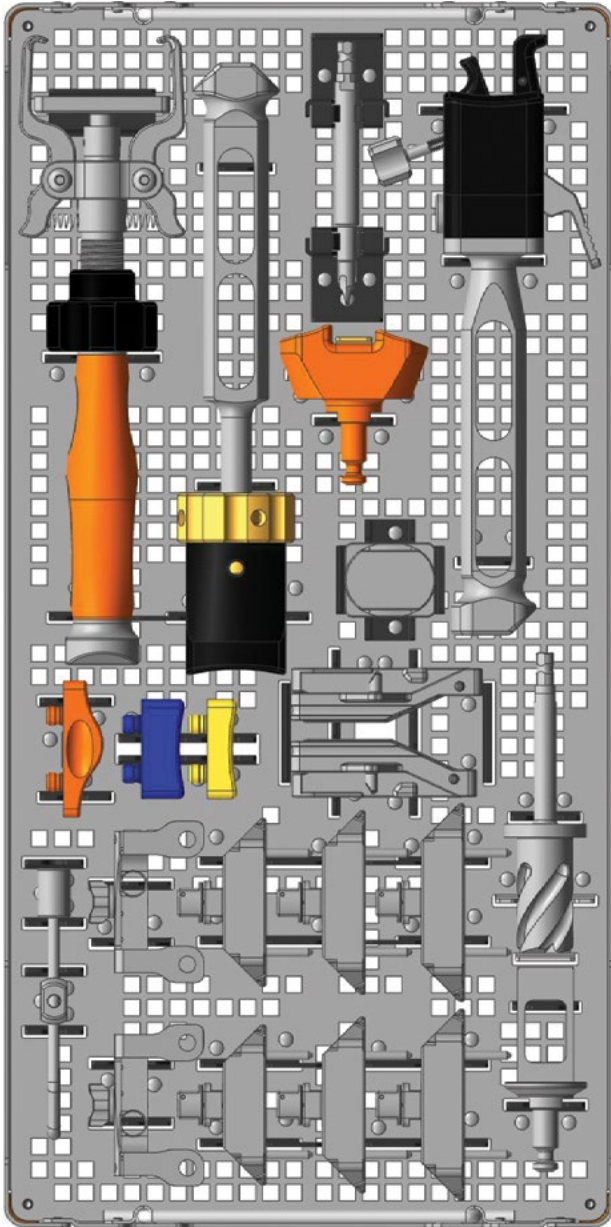
Catalog Item	Description
7401-6237	Tibial Cutting Guide Head Three Degree Left
7401-6238	Tibial Cutting Guide Head Three Degree Right
7401-6241	Ankle Clamp
7401-6230	Tibial Stylus 2 and 10mm Pegged
7401-6236	EM Tibial Alignment Guide Micro Head
7401-6231	EM Posterior Slope Guide
7401-6233	EM Tibial Alignment Tube Micro
7403-2503	S+N Micro Guide Tibial Module

**Note** Tibia Alignment Sets must be ordered with one of the Femoral Alignment Sets.

**Modular General Instruments  
Set No. 7403-4230**

Catalog Item	Description
7151-3331	Universal Pin Driver
115035	Hex Screwdriver
7144-0302	VISIONAIRE Lightweight Alignment Rod
7401-6213	EM Alignment Guide Handle x2
7401-6254	Extension Spacer Block
7144-0366	GENESIS II Universal Extractor
7144-0303	VISIONAIRE Alignment Connector
7401-6255	Standard Flexion Spacer Block
7401-3723	18mm Spacer Plate Shim
7401-3722	15mm Spacer Plate Shim
7401-3721	13mm Spacer Plate Shim
7401-6258	12mm Spacer Plate Shim
7401-6257	11mm Spacer Plate Shim
7401-6242	Modular Impact Handle
7403-6148	Pin Caddy SCD Insert
7401-2825	JOURNEY II Removal Tool
7144-0040	GENESIS II 11mm Tibial Drill
7401-6461	MIS Pin Driver
7401-6249	Modular Universal Tibial Impactor
7401-8911	JOURNEY Articular Insert Assembly Tool
7144-0491	Universal Pin Puller
7401-6271	Resection Check
7401-6259	Articular Insert Trial Adapter (2 included in tray)
7403-4138	S+N Modular General Instruments Module
7403-4286	72mm Modular Tray
7403-4289	Modular Tray Metal Lid





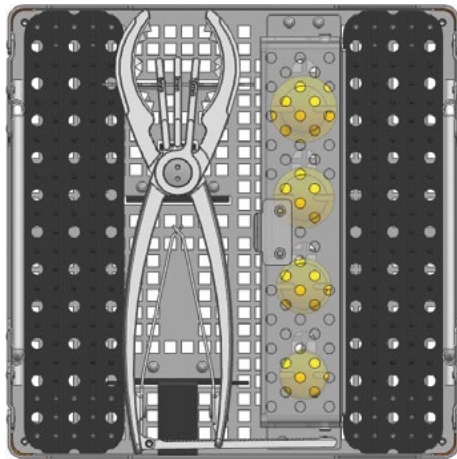
## JOURNEY<sup>®</sup> II Modular Femoral Finishing Instruments Set No. 7403-4240

Catalog Item	Description
7401-2457	JOURNEY II TKA Femoral Sizing Stylus
7401-2455	JOURNEY II TKA Femoral Sizing Guide Left
7401-2456	JOURNEY II TKA Femoral Sizing Guide Right
7401-2413	JOURNEY DCF AP Femoral Cutting Block Sz 3
7401-2414	JOURNEY DCF AP Femoral Cutting Block Sz 4
7401-2415	JOURNEY DCF AP Femoral Cutting Block Sz 5
7401-2416	JOURNEY DCF AP Femoral Cutting Block Sz 6
7401-2417	JOURNEY DCF AP Femoral Cutting Block Sz 7
7401-2418	JOURNEY DCF AP Femoral Cutting Block Sz 8
7401-6248	Modular Box Chisel
7401-6269	PS Box Reamer
7401-8903	JOURNEY II CR Locking Femoral Impactor Bumper
7401-1821	JOURNEY Femoral Implant Impactor Bumper Right
7401-2821	JOURNEY Femoral Implant Impactor Bumper Left
7401-2575	JOURNEY II BCS Femoral Box Prep Guide Sz 3-5
7401-2576	JOURNEY II BCS Femoral Box Prep Guide Sz 6-8
7401-8902	Outer Grip Locking Femoral Implant Impactor
7401-2514	JOURNEY II TKA Femoral Trial Impactor Sz 1-10
7401-6252	Modular JOURNEY Femoral Impactor
7401-1855	JOURNEY II CR Femoral Lug Drill
7401-2421	JOURNEY AP Cutting Block Impactor
7401-2812	JOURNEY II BCS Locking Femoral Implant Impactor
7403-4141	S+N JOURNEY II Modular Femoral Finishing Module
7403-4290	107mm Modular Tray
7403-4289	Modular Tray Metal Lid

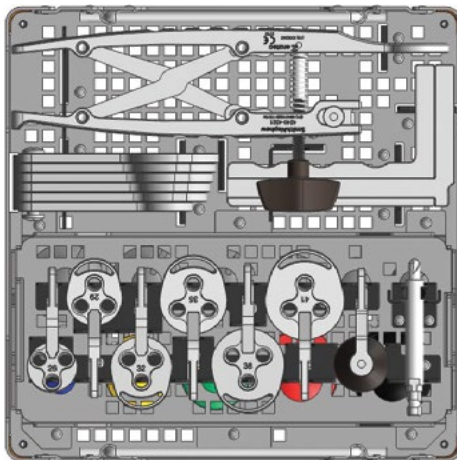


# SYNC Instrumentation

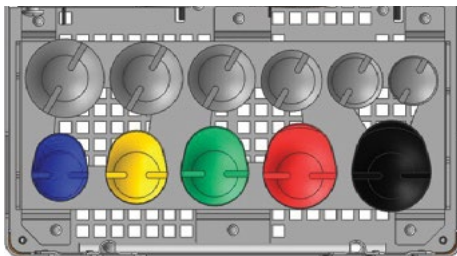
Saw Guide +  
7.5mm Trials



Resurfacing  
Patella  
Preparation



Bottom



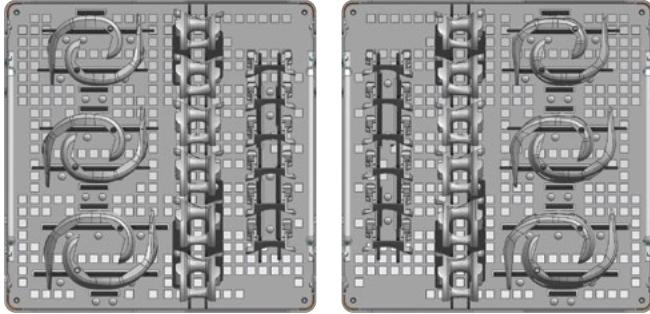
## Universal Patella Resection Instruments Set No. 7401-6370

Catalog Item	Description
<b>Saw Guide + 7.5mm Trials</b>	
4240-4211	ENZTEC Classic Patella Saw Guide 8-10mm
7402-2326*	Cemented Round Patella 7.5mm 26mm
7402-2329*	Cemented Round Patella 7.5mm 29mm
7402-2332*	Cemented Round Patella 7.5mm 32mm
7402-2335*	Cemented Round Patella 7.5mm 35mm
7403-4166	S+N Non Porous Saw Guide And 7.5mm Trial Module
<b>Resurfacing Patella Preparation</b>	
7401-5462	Universal Caliper
4240-4321	ENZTEC Premium Patella Clamp Resection
7401-5461	Round/Oval Sizing Guides
7401-3739	Universal Patella Peg Drill
4240-4360	ENZTEC Patella Swivel Cement Clamp
4240-4366	ENZTEC Patella Drill Guide Round Oval 41mm
4240-4365	ENZTEC Patella Drill Guide Round Oval 38mm
4240-4364	ENZTEC Patella Drill Guide Round Oval 35mm
4240-4363	ENZTEC Patella Drill Guide Round Oval 32mm
4240-4362	ENZTEC Patella Drill Guide Round Oval 29mm
4240-4361	ENZTEC Patella Drill Guide Round 26mm
7403-4826	JOURNEY Patella Trial Resurfacing 26mm
7403-4829	JOURNEY Patella Trial Resurfacing 29mm
7403-4832	JOURNEY Patella Trial Resurfacing 32mm
7403-4835	JOURNEY Patella Trial Resurfacing 35mm
7403-4838	JOURNEY Patella Trial Resurfacing 38mm
7403-4841	JOURNEY Patella Trial Resurfacing 41mm
7143-0429	GENESIS II Oval Resurfacing Patella Trial 29mm
7143-0432	GENESIS II Oval Resurfacing Patella Trial 32mm
7143-0435	GENESIS II Oval Resurfacing Patella Trial 35mm
7143-0438	GENESIS II Oval Resurfacing Patella Trial 38mm
7143-0441	GENESIS II Oval Resurfacing Patella Trial 41mm
7403-4165	S+N Non-Porous Resection Patella Module
7403-4286	72mm Modular Tray
7403-4289	Modular Tray Metal Lid

**Note** To complete the Resection Patella Set, both modules must be ordered.

\*At this time the 7.5mm patella trials are not available in the standard set.

# SYNC Instrumentation



Left

Right

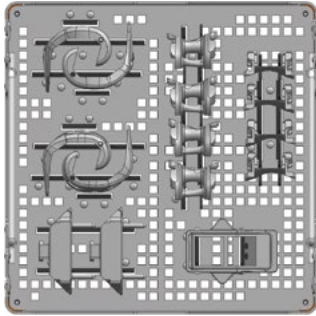
## JOURNEY<sup>®</sup> II Femoral Trials Set No. 7401-0360

Catalog Item	Description
7403-1593	JOURNEY II TKA Knee Femoral Trial Sz 3 Left
7403-1224	JOURNEY II TKA Knee Femoral Trial Sz 4 Left
7403-1225	JOURNEY II TKA Knee Femoral Trial Sz 5 Left
7403-1226	JOURNEY II TKA Knee Femoral Trial Sz 6 Left
7403-1227	JOURNEY II TKA Knee Femoral Trial Sz 7 Left
7403-1228	JOURNEY II TKA Knee Femoral Trial Sz 8 Left
7403-2143	JOURNEY II BCS Cam Trial Sz 3 Left
7403-2144	JOURNEY II BCS Cam Trial Sz 4 Left
7403-2145	JOURNEY II BCS Cam Trial Sz 5 Left
7403-2146	JOURNEY II BCS Cam Trial Sz 6 Left
7403-2147	JOURNEY II BCS Cam Trial Sz 7 Left
7403-2148	JOURNEY II BCS Cam Trial Sz 8 Left
7403-1363	JOURNEY II CR Femoral Notch Trial Sz 3 Left
7403-1364	JOURNEY II CR Femoral Notch Trial Sz 4 Left
7403-1365	JOURNEY II CR Femoral Notch Trial Sz 5 Left
7403-1366	JOURNEY II CR Femoral Notch Trial Sz 6 Left
7403-1367	JOURNEY II CR Femoral Notch Trial Sz 7 Left
7403-1368	JOURNEY II CR Femoral Notch Trial Sz 8 Left
7403-2508	S+N JOURNEY II TKA Left Femur Trial Module

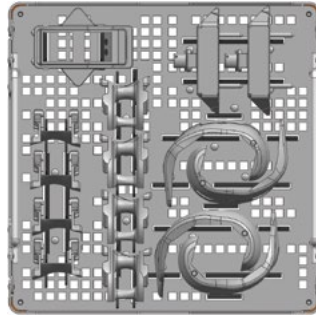
Catalog Item	Description
7403-1353	JOURNEY II CR Femoral Notch Trial Sz 3 Right
7403-1354	JOURNEY II CR Femoral Notch Trial Sz 4 Right
7403-1355	JOURNEY II CR Femoral Notch Trial Sz 5 Right
7403-1356	JOURNEY II CR Femoral Notch Trial t Sz 6 Right
7403-1357	JOURNEY II CR Femoral Notch Trial Sz 7 Right
7403-1358	JOURNEY II CR Femoral Notch Trial Sz 8 Right
7403-2133	JOURNEY II BCS Cam Trial Sz 3 Right
7403-2134	JOURNEY II BCS Cam Trial Sz 4 Right
7403-2135	JOURNEY II BCS Cam Trial Sz 5 Right
7403-2136	JOURNEY II BCS Cam Trial Sz 6 Right
7403-2137	JOURNEY II BCS Cam Trial Sz 7 Right
7403-2138	JOURNEY II BCS Cam Trial Sz 8 Right
7403-1583	JOURNEY II TKA Knee Femoral Trial Sz 3 Right
7403-1214	JOURNEY II TKA Knee Femoral Trial Sz 4 Right
7403-1215	JOURNEY II TKA Knee Femoral Trial Sz 5 Right
7403-1216	JOURNEY II TKA Knee Femoral Trial Sz 6 Right
7403-1217	JOURNEY II TKA Knee Femoral Trial Sz 7 Right
7403-1218	JOURNEY II TKA Knee Femoral Trial Sz 8 Right
7403-2509	S+N JOURNEY II TKA Right Femur Trial Module
7403-4290	107mm Modular Tray
7403-4289	Modular Tray Metal Lid

**Note** To complete the Femoral Trials Set, both the **small** and **large** modules must be ordered.

# SYNC Instrumentation



Small



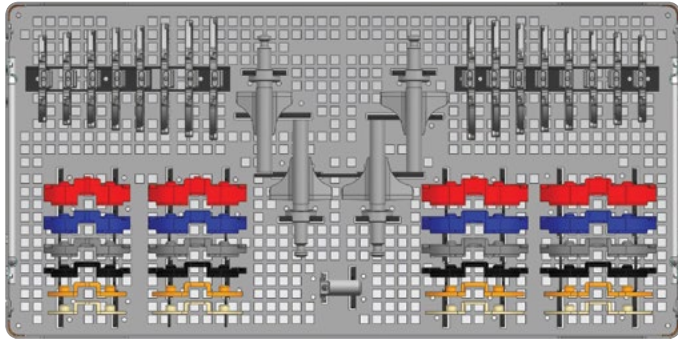
Large

## JOURNEY<sup>®</sup> II Femoral Outliers Set No. 7401-0220

Catalog Item	Description
<b>Small</b>	
7403-1161	JOURNEY II Total Knee Femoral Trial Left Sz 1
7403-1222	JOURNEY II Total Knee Femoral Trial Left Sz 2
7403-1151	JOURNEY II Total Knee Femoral Trial Right Sz 1
7403-1212	JOURNEY II Total Knee Femoral Trial Right Sz 2
7401-1441	JOURNEY DCF AP Femoral Cutting Block Sz 1
7401-1442	JOURNEY DCF AP Femoral Cutting Block Sz 2
7403-2131	JOURNEY II BCS Cam Trial Sz 1 Right
7403-2132	JOURNEY II BCS Cam Trial Sz 2 Right
7403-2141	JOURNEY II BCS Cam Trial Sz 1 Left
7403-2142	JOURNEY II BCS Cam Trial Sz 2 Left
7403-1351	JOURNEY II CR Femoral Notch Trial Right Sz 1
7403-1352	JOURNEY II CR Femoral Notch Trial Right Sz 2
7403-1361	JOURNEY II CR Femoral Notch Trial Left Sz 1
7403-1362	JOURNEY II CR Femoral Notch Trial Left Sz 2
7401-2574	JOURNEY II BCS Femoral Box Prep Guide Sz 1-2
7403-2512	S+N JOURNEY II TKA Small Femoral Outlier Module

Catalog Item	Description
<b>Large</b>	
7401-2577	JOURNEY II BCS Femoral Box Prep Guide Sz 9-10
7403-1359	JOURNEY II CR Femoral Notch Trial Right Sz 9
7403-1360	JOURNEY II CR Femoral Notch Trial Right Sz 10
7403-1369	JOURNEY II CR Femoral Notch Trial Left Sz 9
7403-1370	JOURNEY II CR Femoral Notch Trial Left Sz 10
7403-2139	JOURNEY II BCS Cam Trial Sz 9 Right
7403-2130	JOURNEY II BCS Cam Trial Sz 10 Right
7403-2149	JOURNEY II BCS Cam Trial Sz 9 Left
7403-2140	JOURNEY II BCS Cam Trial Sz 10 Left
7401-2419	JOURNEY DCF AP Femoral Cutting Block Sz 9
7401-2410	JOURNEY DCF AP Femoral Cutting Block Sz 10
7403-1150	JOURNEY II TKA Femoral Trial Right Sz 10
7403-1159	JOURNEY II TKA Femoral Trial Right Sz 9
7403-1160	JOURNEY II TKA Femoral Trial Left Sz 10
7403-1169	JOURNEY II TKA Femoral Trial Left Sz 9
7403-2513	S+N JOURNEY II TKA Large Femoral Outlier Module
7403-4290	107mm Modular Tray
7403-4289	Modular Tray Metal Lid

**Note** To complete the Femoral Outliers Set, both the **small** and **large** modules must be ordered.

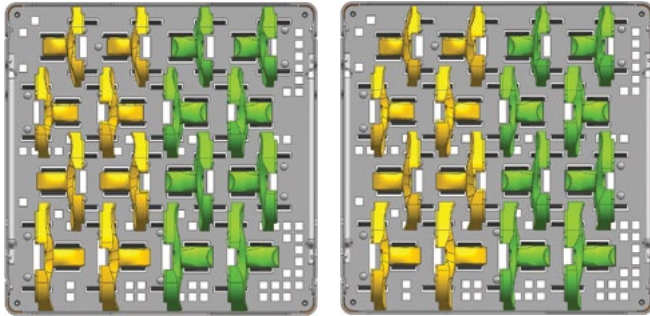


## Modular Tibial Trial and Prep Instrument Set No. 7401-0330

Catalog Item	Description
7403-3801	Universal Tibial Base Trial Sz 1 Left
7403-3802	Universal Tibial Base Trial Sz 2 Left
7403-3803	Universal Tibial Base Trial Sz 3 Left
7403-3804	Universal Tibial Base Trial Sz 4 Left
7403-3805	Universal Tibial Base Trial Sz 5 Left
7403-3806	Universal Tibial Base Trial Sz 6 Left
7403-3807	Universal Tibial Base Trial Sz 7 Left
7403-3808	Universal Tibial Base Trial Sz 8 Left
7403-3811	Universal Tibial Base Trial Sz 1 Right
7403-3812	Universal Tibial Base Trial Sz 2 Right
7403-3813	Universal Tibial Base Trial Sz 3 Right
7403-3814	Universal Tibial Base Trial Sz 4 Right
7403-3815	Universal Tibial Base Trial Sz 5 Right
7403-3816	Universal Tibial Base Trial Sz 6 Right
7403-3817	Universal Tibial Base Trial Sz 7 Right
7403-3818	Universal Tibial Base Trial Sz 8 Right
7401-6244	Sz 1-2 Non-Porous Modular Fin Punch
7401-6245	Sz 3-4 Non-Porous Modular Fin Punch
7401-6246	Sz 5-6 Non-Porous Modular Fin Punch
7401-6247	Sz 7-8 Non-Porous Modular Fin Punch

Catalog Item	Description
7144-2196	Tibia Plug*
7403-3617	Universal Insert Spacer Sz 1-2 21mm
7403-3616	Universal Insert Spacer Sz 1-2 18mm
7403-3615	Universal Insert Spacer Sz 1-2 15mm
7403-3614	Universal Insert Spacer Sz 1-2 13mm
7401-6261	Universal Insert Spacer Sz 1-2 12mm
7401-6260	Universal Insert Spacer Sz 1-2 11mm
7403-3637	Universal Insert Spacer Sz 3-4 21mm
7403-3636	Universal Insert Spacer Sz 3-4 18mm
7403-3635	Universal Insert Spacer Sz 3-4 15mm
7403-3634	Universal Insert Spacer Sz 3-4 13mm
7401-6263	Universal Insert Spacer Sz 3-4 12mm
7401-6262	Universal Insert Spacer Sz 3-4 11mm
7403-3657	Universal Insert Spacer Sz 5-6 21mm
7403-3656	Universal Insert Spacer Sz 5-6 18mm
7403-3655	Universal Insert Spacer Sz 5-6 15mm
7403-3654	Universal Insert Spacer Sz 5-6 13mm
7401-6265	Universal Insert Spacer Sz 5-6 12mm
7401-6264	Universal Insert Spacer Sz 5-6 11mm
7403-3677	Universal Insert Spacer Sz 7-8 21mm
7403-3676	Universal Insert Spacer Sz 7-8 18mm
7403-3675	Universal Insert Spacer Sz 7-8 15mm
7403-3674	Universal Insert Spacer Sz 7-8 13mm
7401-6267	Universal Insert Spacer Sz 7-8 12mm
7401-6266	Universal Insert Spacer Sz 7-8 11mm
7403-4153	S+N Modular Tibial Trial And Prep Module
7403-4287	90mm Modular Tray
7403-4289	Modular Tray Metal Lid

\* Not included in tray



Left

Right

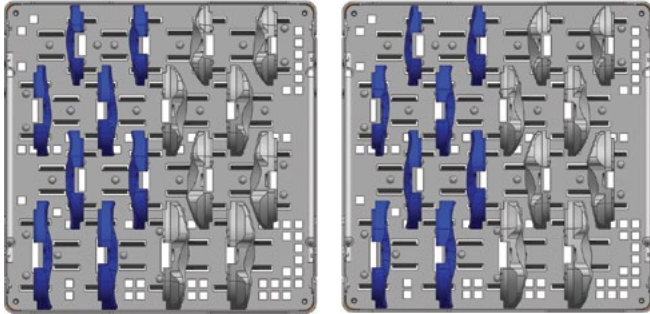
## JOURNEY<sup>o</sup> II Insert Trials BCS Set No. 7403-3850

Catalog Item	Description
7403-3831	JOURNEY II BCS Articular Insert Trial Sz 1-2 9mm Left
7403-3832	JOURNEY II BCS Articular Insert Trial Sz 1-2 10mm Left
7403-3833	JOURNEY II BCS Articular Insert Trial Sz 3-4 9mm Left
7403-3834	JOURNEY II BCS Articular Insert Trial Sz 3-4 10mm Left
7403-3835	JOURNEY II BCS Articular Insert Trial Sz 5-6 9mm Left
7403-3836	JOURNEY II BCS Articular Insert Trial Sz 5-6 10mm Left
7403-3837	JOURNEY II BCS Articular Insert Trial Sz 7-8 9mm Left
7403-3838	JOURNEY II BCS Articular Insert Trial Sz 7-8 10mm Left
7403-3871	JOURNEY II BCS Constrained Insert Trial Sz 1-2 9mm Left
7403-3872	JOURNEY II BCS Constrained Insert Trial Sz 1-2 10mm Left
7403-3873	JOURNEY II BCS Constrained Insert Trial Sz 3-4 9mm Left
7403-3874	JOURNEY II BCS Constrained Insert Trial Sz 3-4 10mm Left
7403-3875	JOURNEY II BCS Constrained Insert Trial Sz 5-6 9mm Left
7403-3876	JOURNEY II BCS Constrained Insert Trial Sz 5-6 10mm Left
7403-3877	JOURNEY II BCS Constrained Insert Trial Sz 7-8 9mm Left
7403-3878	JOURNEY II BCS Constrained Insert Trial Sz 7-8 10mm Left
7403-4178	S+N JOURNEY II Insert Trials Module

Catalog Item	Description
7403-3839	JOURNEY II BCS Articular Insert Trial Sz 1-2 9mm Right
7403-3841	JOURNEY II BCS Articular Insert Trial Sz 1-2 10mm Right
7403-3842	JOURNEY II BCS Articular Insert Trial Sz 3-4 9mm Right
7403-3843	JOURNEY II BCS Articular Insert Trial Sz 3-4 10mm Right
7403-3844	JOURNEY II BCS Articular Insert Trial Sz 5-6 9mm Right
7403-3845	JOURNEY II BCS Articular Insert Trial Sz 5-6 10mm Right
7403-3846	JOURNEY II BCS Articular Insert Trial Sz 7-8 9mm Right
7403-3847	JOURNEY II BCS Articular Insert Trial Sz 7-8 10mm Right
7403-3881	JOURNEY II BCS Constrained Insert Trial Sz 1-2 9mm Right
7403-3882	JOURNEY II BCS Constrained Insert Trial Sz 1-2 10mm Right
7403-3883	JOURNEY II BCS Constrained Insert Trial Sz 3-4 9mm Right
7403-3884	JOURNEY II BCS Constrained Insert Trial Sz 3-4 10mm Right
7403-3885	JOURNEY II BCS Constrained Insert Trial Sz 5-6 9mm Right
7403-3886	JOURNEY II BCS Constrained Insert Trial Sz 5-6 10mm Right
7403-3887	JOURNEY II BCS Constrained Insert Trial Sz 7-8 9mm Right
7403-3888	JOURNEY II BCS Constrained Insert Trial Sz 7-8 10mm Right
7403-4178	S+N JOURNEY II Insert Trials Module
7403-4290	107mm Modular Tray
7403-4289	Modular Tray Metal Lid

**Note** To complete the Insert Trial Set, both the **left** and **right** modules must be ordered. If desired, both BCS and CR sets can be ordered. These Insert Trials accept the Articular Insert Trial Adapter (7401-6259).





Left

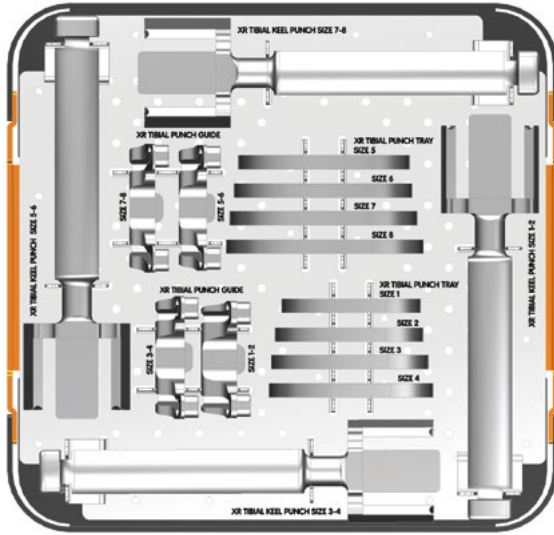
Right

## JOURNEY<sup>o</sup> II Insert Trials CR Set No. 7403-3880

Catalog Item	Description
7403-3851	JOURNEY II CR Insert Trial Sz 1-2 9mm Left
7403-3852	JOURNEY II CR Insert Trial Sz 1-2 10mm Left
7403-3853	JOURNEY II CR Insert Trial Sz 3-4 9mm Left
7403-3854	JOURNEY II CR Insert Trial Sz 3-4 10mm Left
7403-3855	JOURNEY II CR Insert Trial Sz 5-6 9mm Left
7403-3856	JOURNEY II CR Insert Trial Sz 5-6 10mm Left
7403-3857	JOURNEY II CR Insert Trial Sz 7-8 9mm Left
7403-3858	JOURNEY II CR Insert Trial Sz 7-8 10mm Left
7403-3891	JOURNEY II Deep Dish Insert Trial Sz 1-2 9mm Left
7403-3892	JOURNEY II Deep Dish Insert Trial Sz 1-2 10mm Left
7403-3893	JOURNEY II Deep Dish Insert Trial Sz 3-4 9mm Left
7403-3894	JOURNEY II Deep Dish Insert Trial Sz 3-4 10mm Left
7403-3895	JOURNEY II Deep Dish Insert Trial Sz 5-6 9mm Left
7403-3896	JOURNEY II Deep Dish Insert Trial Sz 5-6 10mm Left
7403-3897	JOURNEY II Deep Dish Insert Trial Sz 7-8 9mm Left
7403-3898	JOURNEY II Deep Dish Insert Trial Sz 7-8 10mm Left
7403-4178	S+N JOURNEY II Insert Trials Module

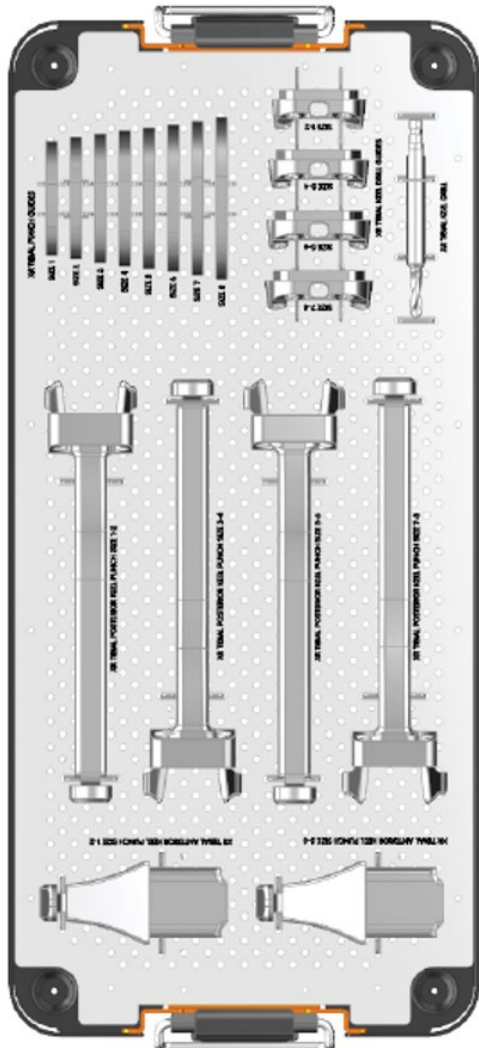
Catalog Item	Description
7403-3851	JOURNEY II CR Insert Trial Sz 1-2 9mm Left
7403-3852	JOURNEY II CR Insert Trial Sz 1-2 10mm Left
7403-3853	JOURNEY II CR Insert Trial Sz 3-4 9mm Left
7403-3854	JOURNEY II CR Insert Trial Sz 3-4 10mm Left
7403-3855	JOURNEY II CR Insert Trial Sz 5-6 9mm Left
7403-3856	JOURNEY II CR Insert Trial Sz 5-6 10mm Left
7403-3857	JOURNEY II CR Insert Trial Sz 7-8 9mm Left
7403-3858	JOURNEY II CR Insert Trial Sz 7-8 10mm Left
7403-3891	JOURNEY II Deep Dish Insert Trial Sz 1-2 9mm Left
7403-3892	JOURNEY II Deep Dish Insert Trial Sz 1-2 10mm Left
7403-3893	JOURNEY II Deep Dish Insert Trial Sz 3-4 9mm Left
7403-3894	JOURNEY II Deep Dish Insert Trial Sz 3-4 10mm Left
7403-3895	JOURNEY II Deep Dish Insert Trial Sz 5-6 9mm Left
7403-3896	JOURNEY II Deep Dish Insert Trial Sz 5-6 10mm Left
7403-3897	JOURNEY II Deep Dish Insert Trial Sz 7-8 9mm Left
7403-3898	JOURNEY II Deep Dish Insert Trial Sz 7-8 10mm Left
7403-4178	S+N JOURNEY II Insert Trials Module
7403-4290	107mm Modular Tray
7403-4289	Modular Tray Metal Lid

**Note** To complete the Insert Trial Set, both the **left** and **right** modules must be ordered. If desired, both BCS and CR sets can be ordered. These Insert Trials accept the Articular Insert Trial Adapter (7401-6259).



## 7401-4427 JOURNEY<sup>◊</sup> II XR<sup>◊</sup> Tibial Pin and Punch Tray

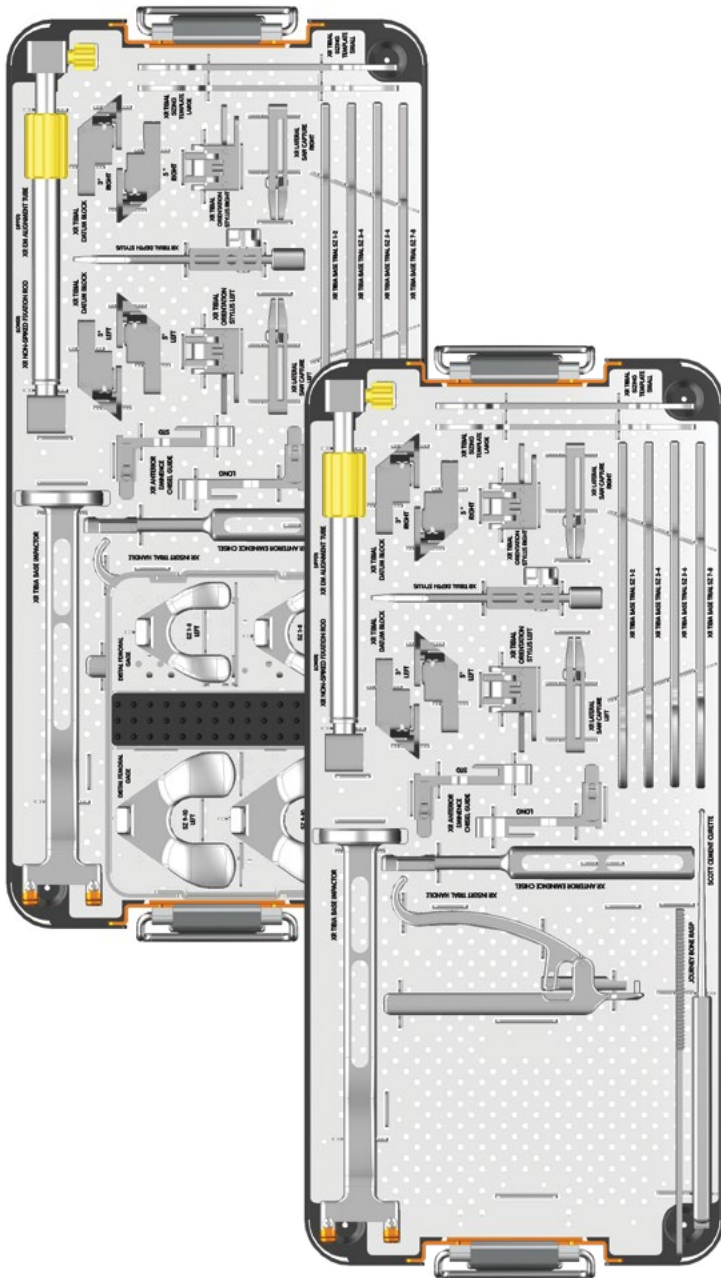
Catalog Item	Description
7401-4491	JOURNEY II XR Tibial Punch Tray Sz 1
7401-4492	JOURNEY II XR Tibial Punch Tray Sz 2
7401-4493	JOURNEY II XR Tibial Punch Tray Sz 3
7401-4494	JOURNEY II XR Tibial Punch Tray Sz 4
7401-4495	JOURNEY II XR Tibial Punch Tray Sz 5
7401-4496	JOURNEY II XR Tibial Punch Tray Sz 6
7401-4497	JOURNEY II XR Tibial Punch Tray Sz 7
7401-4498	JOURNEY II XR Tibial Punch Tray Sz 8
7401-4471	JOURNEY II XR Tibial Punch Guide Sz 1-2
7401-4472	JOURNEY II XR Tibial Punch Guide Sz 3-4
7401-4476	JOURNEY II XR Tibial Punch Guide Sz 5-6
7401-4478	JOURNEY II XR Tibial Punch Guide Sz 7-8
7401-4526	JOURNEY II XR Tibial Keel Punch Sz 1-2
7401-4527	JOURNEY II XR Tibial Keel Punch Sz 3-4
7401-4528	JOURNEY II XR Tibial Keel Punch Sz 5-6
7401-4529	JOURNEY II XR Tibial Keel Punch Sz 7-8
7401-3470	30mm Rimmed SPEED PIN <sup>◊</sup>
7401-3471	45mm Rimmed SPEED PIN
7401-3480	65mm Non-Rimmed SPEED PIN
7401-4531	JOURNEY II XR 6mm x 27mm SPEED PIN
7401-4535	JOURNEY II XR 6.5mm x 40mm SPEED PIN
7401-3401	110mm Non-Rimmed SPEED PIN



## 7402-2282 JOURNEY<sup>◊</sup> II XR<sup>◊</sup> Tibial Full Punch Set

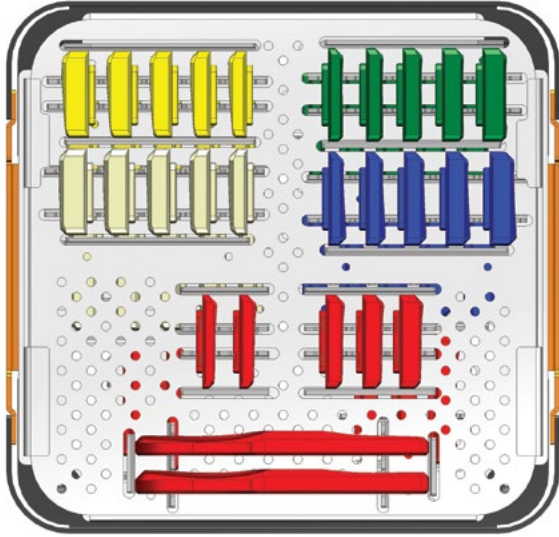
Catalog Item	Description
7401-3978	JOURNEY II XR Tibial Punch Guide Sz 1
7401-3979	JOURNEY II XR Tibial Punch Guide Sz 2
7401-3980	JOURNEY II XR Tibial Punch Guide Sz 3
7401-3981	JOURNEY II XR Tibial Punch Guide Sz 4
7401-3982	JOURNEY II XR Tibial Punch Guide Sz 5
7401-3983	JOURNEY II XR Tibial Punch Guide Sz 6
7401-3984	JOURNEY II XR Tibial Punch Guide Sz 7
7401-3985	JOURNEY II XR Tibial Punch Guide Sz 8
7401-4541	JOURNEY II XR Posterior Tibia Keel Punch Sz 1-2
7401-4542	JOURNEY II XR Posterior Tibia Keel Punch Sz 3-4
7401-4543	JOURNEY II XR Posterior Tibia Keel Punch Sz 5-6
7401-4544	JOURNEY II XR Posterior Tibia Keel Punch Sz 7-8
7401-3990	JOURNEY II XR Tibial Anterior Keel Punch Sz 1-2
7401-3991	JOURNEY II XR Tibial Anterior Keel Punch Sz 3-8
7401-3996	JOURNEY II XR Tibial Drill Guide Sz 1-2
7401-3997	JOURNEY II XR Tibial Drill Guide Sz 3-4
7401-3998	JOURNEY II XR Tibial Drill Guide Sz 5-6
7401-3999	JOURNEY II XR Tibial Drill Guide Sz 7-8
7401-3993	JOURNEY II XR Tibial Keel Drill





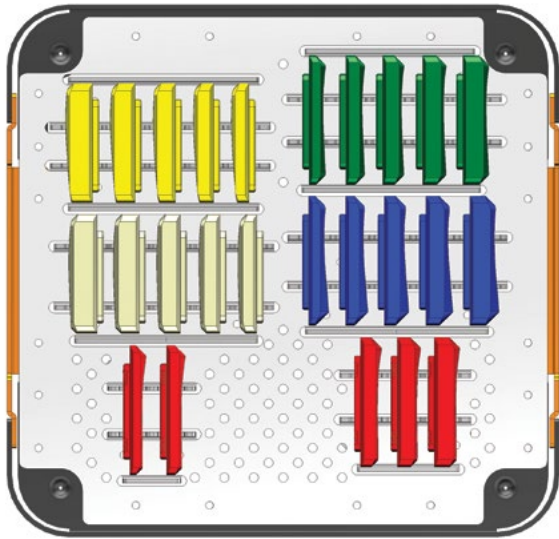
## 7401-4428 JOURNEY<sup>◊</sup> II XR<sup>◊</sup> Main Instrument Trays

Catalog Item	Description
7144-1351	JOURNEY Bone Rasp
7193-5186	Scott Cement Curette
7401-4461	JOURNEY II Em Alignment Tube
7401-4464	JOURNEY II XR Tibial Datum Block 3° RT
7401-4463	JOURNEY II XR Tibial Datum Block 3° LT
7401-4475	JOURNEY II XR Tibial Datum Block 5° LT
7401-4477	JOURNEY II XR Tibial Datum Block 5° RT
7401-4466	JOURNEY II XR Tibial Orientation Stylus RT
7401-4465	JOURNEY II XR Tibial Orientation Stylus LT
7401-4467	JOURNEY II XR Tibial Depth Stylus
7401-4468	JOURNEY II XR Lateral Saw Capture LT
7401-4469	JOURNEY II XR Lateral Saw Capture RT
7401-4481	JOURNEY II XR Tibia Base Trial Sz 1-2
7401-4482	JOURNEY II XR Tibia Base Trial Sz 3-4
7401-4483	JOURNEY II XR Tibia Base Trial Sz 5-6
7401-4484	JOURNEY II XR Tibia Base Trial Sz 7-8
7403-3525	JOURNEY II Distal Femoral Gage Sz 1-8 LT
7403-3526	JOURNEY II Distal Femoral Gage Sz 9-10 LT
7403-3528	JOURNEY II Distal Femoral Gage Sz 9-10 RT
7403-3527	JOURNEY II Distal Femoral Gage Sz 1-8 RT
7401-4532	JOURNEY II XR Anterior Eminence Chisel
7401-4525	XR Anterior Eminence Chisel Guide
7401-4452	XR Anterior Eminence Chisel Guide Long
7401-3977	XR Insert Trial Handle
7401-4533	JOURNEY II XR Tibial Base Implant Impactor
7401-4485	JOURNEY II XR Tibial Sizing Template Small
7401-4486	JOURNEY II XR Tibial Sizing Template Large
7401-3992	JOURNEY II XR Tibial Non-Spiked Fixation Rod



**7401-4434 JOURNEY<sup>◊</sup> II XR<sup>◊</sup>  
Sz 1-2, 7-8 LT Insert Trial Tray**

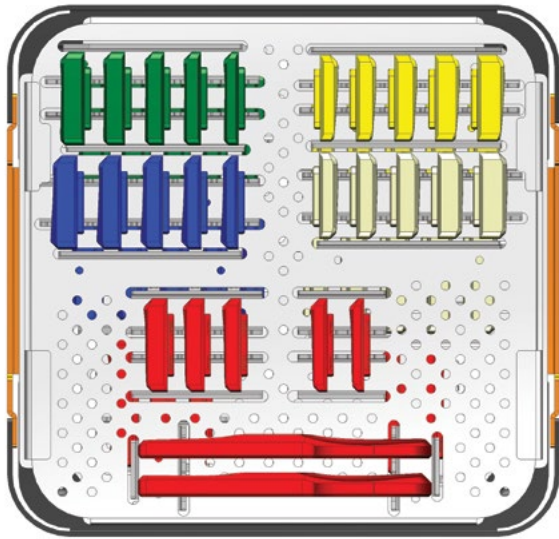
Catalog Item	Description
7401-3801	XR Tibial Insert Trial Sz 1-2 LT Medial 0° 8mm
7401-3802	XR Tibial Insert Trial Sz 1-2 LT Medial 0° 9mm
7401-3803	XR Tibial Insert Trial Sz 1-2 LT Medial 0° 10mm
7401-3804	XR Tibial Insert Trial Sz 1-2 LT Medial 0° 11mm
7401-3805	XR Tibial Insert Trial Sz 1-2 LT Medial 0° 12mm
7401-3806	XR Tibial Insert Trial Sz 1-2 LT Lateral 0° 8mm
7401-3807	XR Tibial Insert Trial Sz 1-2 LT Lateral 0° 9mm
7401-3808	XR Tibial Insert Trial Sz 1-2 LT Lateral 0° 10mm
7401-3809	XR Tibial Insert Trial Sz 1-2 LT Lateral 0° 11mm
7401-3811	XR Tibial Insert Trial Sz 1-2 LT Lateral 0° 12mm
7401-3889	XR Tibial Insert Trial Sz 1-2 LT Medial -2° 8mm
7401-3890	XR Tibial Insert Trial Sz 1-2 LT Medial -2° 9mm
7401-3891	XR Tibial Insert Trial Sz 1-2 LT Medial -2° 10mm
7401-3892	XR Tibial Insert Trial Sz 1-2 LT Medial -2° 11mm
7401-3893	XR Tibial Insert Trial Sz 1-2 LT Medial -2° 12mm
7401-3894	XR Tibial Insert Trial Sz 1-2 LT Lateral -2° 8mm
7401-3895	XR Tibial Insert Trial Sz 1-2 LT Lateral -2° 9mm
7401-3896	XR Tibial Insert Trial Sz 1-2 LT Lateral -2° 10mm
7401-3897	XR Tibial Insert Trial Sz 1-2 LT Lateral -2° 11mm
7401-3898	XR Tibial Insert Trial Sz 1-2 LT Lateral -2° 12mm
7403-3753	XR Tibial Recut Trial Sz 1-2 LT Medial +2° 8mm
7403-3754	XR Tibial Recut Trial Sz 1-2 LT Medial +2° 9mm
7403-3755	XR Tibial Recut Trial Sz 1-2 LT Medial +2° 10mm
7403-3756	XR Tibial Recut Trial Sz 1-2 LT Medial +2° 11mm
7403-3757	XR Tibial Recut Trial Sz 1-2 LT Medial +2° 12mm
7403-3776	XR Tibial Recut Trial Sz 1-2/7-8 LT Medial 0° 6mm
7403-3788	XR Tibial Recut Trial Sz 1-2/7-8 LT Medial +2° 6mm



**7401-4434 JOURNEY<sup>◊</sup> II XR<sup>◊</sup>**

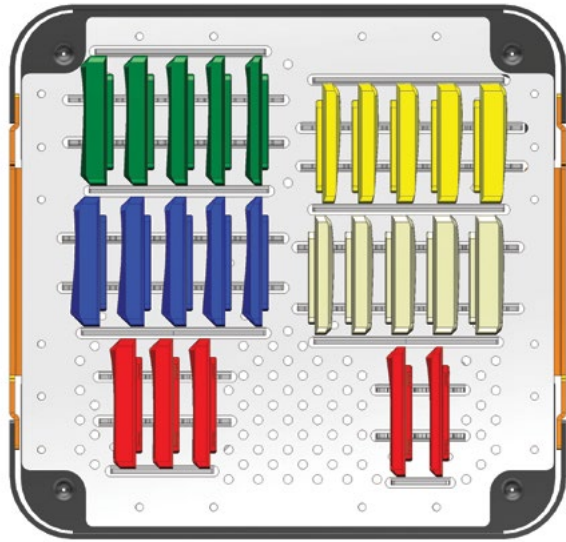
**Sz 1-2, 7-8 LT Insert Trial Tray** *continued*

Catalog Item	Description
7401-3867	XR Tibial Insert Trial Sz 7-8 LT Medial 0° 8mm
7401-3868	XR Tibial Insert Trial Sz 7-8 LT Medial 0° 9mm
7401-3869	XR Tibial Insert Trial Sz 7-8 LT Medial 0° 10mm
7401-3871	XR Tibial Insert Trial Sz 7-8 LT Medial 0° 11mm
7401-3872	XR Tibial Insert Trial Sz 7-8 LT Medial 0° 12mm
7401-3873	XR Tibial Insert Trial Sz 7-8 LT Lateral 0° 8mm
7401-3874	XR Tibial Insert Trial Sz 7-8 LT Lateral 0° 9mm
7401-3875	XR Tibial Insert Trial Sz 7-8 LT Lateral 0° 10mm
7401-3876	XR Tibial Insert Trial Sz 7-8 LT Lateral 0° 11mm
7401-3877	XR Tibial Insert Trial Sz 7-8 LT Lateral 0° 12mm
7401-3955	XR Tibial Insert Trial Sz 7-8 LT Medial -2° 8mm
7401-3956	XR Tibial Insert Trial Sz 7-8 LT Medial -2° 9mm
7401-3957	XR Tibial Insert Trial Sz 7-8 LT Medial -2° 10mm
7401-3958	XR Tibial Insert Trial Sz 7-8 LT Medial -2° 11mm
7401-3959	XR Tibial Insert Trial Sz 7-8 LT Medial -2° 12mm
7401-3961	XR Tibial Insert Trial Sz 7-8 LT Lateral -2° 8mm
7401-3962	XR Tibial Insert Trial Sz 7-8 LT Lateral -2° 9mm
7401-3963	XR Tibial Insert Trial Sz 7-8 LT Lateral -2° 10mm
7401-3964	XR Tibial Insert Trial Sz 7-8 LT Lateral -2° 11mm
7401-3965	XR Tibial Insert Trial Sz 7-8 LT Lateral -2° 12mm
7403-3789	XR Tibial Recut Trial Sz 7-8 LT Medial +2° 8mm
7403-3790	XR Tibial Recut Trial Sz 7-8 LT Medial +2° 9mm
7403-3791	XR Tibial Recut Trial Sz 7-8 LT Medial +2° 10mm
7403-3792	XR Tibial Recut Trial Sz 7-8 LT Medial +2° 11mm
7403-3793	XR Tibial Recut Trial Sz 7-8 LT Medial +2° 12mm



**7401-4435 JOURNEY<sup>◊</sup> II XR<sup>◊</sup>  
Sz 1-2, 7-8 RT Insert Trial Tray**

Catalog Item	Description
7401-3812	XR Tibial Insert Trial Sz 1-2 RT Medial 0° 8mm
7401-3813	XR Tibial Insert Trial Sz 1-2 RT Medial 0° 9mm
7401-3814	XR Tibial Insert Trial Sz 1-2 RT Medial 0° 10mm
7401-3815	XR Tibial Insert Trial Sz 1-2 RT Medial 0° 11mm
7401-3816	XR Tibial Insert Trial Sz 1-2 RT Medial 0° 12mm
7401-3817	XR Tibial Insert Trial Sz 1-2 RT Lateral 0° 8mm
7401-3818	XR Tibial Insert Trial Sz 1-2 RT Lateral 0° 9mm
7401-3819	XR Tibial Insert Trial Sz 1-2 RT Lateral 0° 10mm
7401-3821	XR Tibial Insert Trial Sz 1-2 RT Lateral 0° 11mm
7401-3822	XR Tibial Insert Trial Sz 1-2 RT Lateral 0° 12mm
7401-3899	XR Tibial Insert Trial Sz 1-2 RT Medial -2° 8mm
7401-3901	XR Tibial Insert Trial Sz 1-2 RT Medial -2° 9mm
7401-3902	XR Tibial Insert Trial Sz 1-2 RT Medial -2° 10mm
7401-3903	XR Tibial Insert Trial Sz 1-2 RT Medial -2° 11mm
7401-3904	XR Tibial Insert Trial Sz 1-2 RT Medial -2° 12mm
7401-3905	XR Tibial Insert Trial Sz 1-2 RT Lateral -2° 8mm
7401-3906	XR Tibial Insert Trial Sz 1-2 RT Lateral -2° 9mm
7401-3907	XR Tibial Insert Trial Sz 1-2 RT Lateral -2° 10mm
7401-3908	XR Tibial Insert Trial Sz 1-2 RT Lateral -2° 11mm
7401-3909	XR Tibial Insert Trial Sz 1-2 RT Lateral -2° 12mm
7403-3759	XR Tibial Recut Trial Sz 1-2 RT Medial +2° 8mm
7403-3760	XR Tibial Recut Trial Sz 1-2 RT Medial +2° 9mm
7403-3761	XR Tibial Recut Trial Sz 1-2 RT Medial +2° 10mm
7403-3762	XR Tibial Recut Trial Sz 1-2 RT Medial +2° 11mm
7403-3763	XR Tibial Recut Trial Sz 1-2 RT Medial +2° 12mm
7403-3782	XR Tibial Recut Trial Sz 1-2/7-8 RT Medial 0° 6mm
7403-3794	XR Tibial Recut Trial Sz 1-2/7-8 RT Medial +2° 6mm

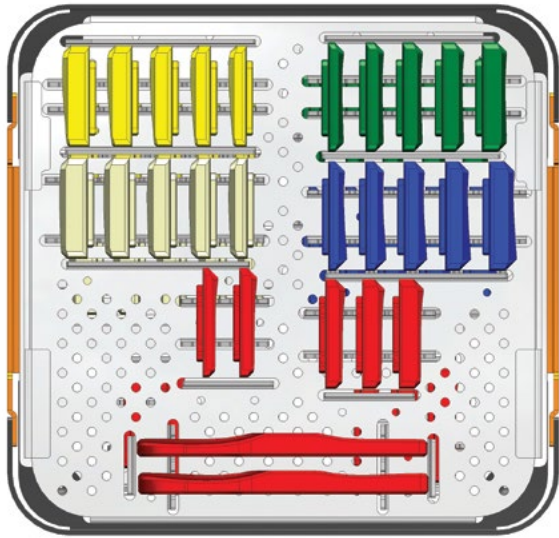


**7401-4435 JOURNEY<sup>◊</sup> II XR<sup>◊</sup>**

**Sz 1-2, 7-8 RT Insert Trial Tray** *continued*

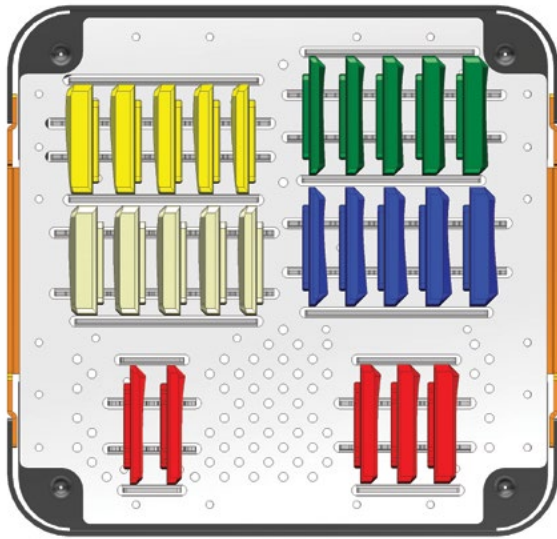
Catalog Item	Description
7401-3878	XR Tibial Insert Trial Sz 7-8 RT Medial 0° 8mm
7401-3879	XR Tibial Insert Trial Sz 7-8 RT Medial 0° 9mm
7401-3881	XR Tibial Insert Trial Sz 7-8 RT Medial 0° 10mm
7401-3882	XR Tibial Insert Trial Sz 7-8 RT Medial 0° 11mm
7401-3883	XR Tibial Insert Trial Sz 7-8 RT Medial 0° 12mm
7401-3884	XR Tibial Insert Trial Sz 7-8 RT Lateral 0° 8mm
7401-3885	XR Tibial Insert Trial Sz 7-8 RT Lateral 0° 9mm
7401-3886	XR Tibial Insert Trial Sz 7-8 RT Lateral 0° 10mm
7401-3887	XR Tibial Insert Trial Sz 7-8 RT Lateral 0° 11mm
7401-3888	XR Tibial Insert Trial Sz 7-8 RT Lateral 0° 12mm
7401-3966	XR Tibial Insert Trial Sz 7-8 RT Medial -2° 8mm
7401-3967	XR Tibial Insert Trial Sz 7-8 RT Medial -2° 9mm
7401-3968	XR Tibial Insert Trial Sz 7-8 RT Medial -2° 10mm
7401-3969	XR Tibial Insert Trial Sz 7-8 RT Medial -2° 11mm
7401-3971	XR Tibial Insert Trial Sz 7-8 RT Medial -2° 12mm
7401-3972	XR Tibial Insert Trial Sz 7-8 RT Lateral -2° 8mm
7401-3973	XR Tibial Insert Trial Sz 7-8 RT Lateral -2° 9mm
7401-3974	XR Tibial Insert Trial Sz 7-8 RT Lateral -2° 10mm
7401-3975	XR Tibial Insert Trial Sz 7-8 RT Lateral -2° 11mm
7401-3976	XR Tibial Insert Trial Sz 7-8 RT Lateral -2° 12mm
7403-3795	XR Tibial Recut Trial Sz 7-8 RT Medial +2° 8mm
7403-3796	XR Tibial Recut Trial Sz 7-8 RT Medial +2° 9mm
7403-3797	XR Tibial Recut Trial Sz 7-8 RT Medial +2° 10mm
7403-3798	XR Tibial Recut Trial Sz 7-8 RT Medial +2° 11mm
7403-3799	XR Tibial Recut Trial Sz 7-8 RT Medial +2° 12mm





**7401-4432 JOURNEY<sup>◊</sup> II XR<sup>◊</sup>  
Sz 3-4, 5-6 LT Insert Trial Tray**

Catalog Item	Description
7401-3823	XR Tibial Insert Trial Sz 3-4 LT Medial 0° 8mm
7401-3824	XR Tibial Insert Trial Sz 3-4 LT Medial 0° 9mm
7401-3825	XR Tibial Insert Trial Sz 3-4 LT Medial 0° 10mm
7401-3826	XR Tibial Insert Trial Sz 3-4 LT Medial 0° 11mm
7401-3827	XR Tibial Insert Trial Sz 3-4 LT Medial 0° 12mm
7401-3828	XR Tibial Insert Trial Sz 3-4 LT Lateral 0° 8mm
7401-3829	XR Tibial Insert Trial Sz 3-4 LT Lateral 0° 9mm
7401-3831	XR Tibial Insert Trial Sz 3-4 LT Lateral 0° 10mm
7401-3832	XR Tibial Insert Trial Sz 3-4 LT Lateral 0° 11mm
7401-3833	XR Tibial Insert Trial Sz 3-4 LT Lateral 0° 12mm
7401-3911	XR Tibial Insert Trial Sz 3-4 LT Medial -2° 8mm
7401-3912	XR Tibial Insert Trial Sz 3-4 LT Medial -2° 9mm
7401-3913	XR Tibial Insert Trial Sz 3-4 LT Medial -2° 10mm
7401-3914	XR Tibial Insert Trial Sz 3-4 LT Medial -2° 11mm
7401-3915	XR Tibial Insert Trial Sz 3-4 LT Medial -2° 12mm
7401-3916	XR Tibial Insert Trial Sz 3-4 LT Lateral -2° 8mm
7401-3917	XR Tibial Insert Trial Sz 3-4 LT Lateral -2° 9mm
7401-3918	XR Tibial Insert Trial Sz 3-4 LT Lateral -2° 10mm
7401-3919	XR Tibial Insert Trial Sz 3-4 LT Lateral -2° 11mm
7401-3921	XR Tibial Insert Trial Sz 3-4 LT Lateral -2° 12mm
7403-3765	XR Tibial Recut Trial Sz 3-4 LT Medial +2° 8mm
7403-3766	XR Tibial Recut Trial Sz 3-4 LT Medial +2° 9mm
7403-3767	XR Tibial Recut Trial Sz 3-4 LT Medial +2° 10mm
7403-3768	XR Tibial Recut Trial Sz 3-4 LT Medial +2° 11mm
7403-3769	XR Tibial Recut Trial Sz 3-4 LT Medial +2° 12mm
7403-3752	XR Tibial Recut Trial Sz 3-4/5-6 LT Medial 0° 6mm
7403-3764	XR Tibial Recut Trial Sz 3-4/5-6 LT Medial +2° 6mm

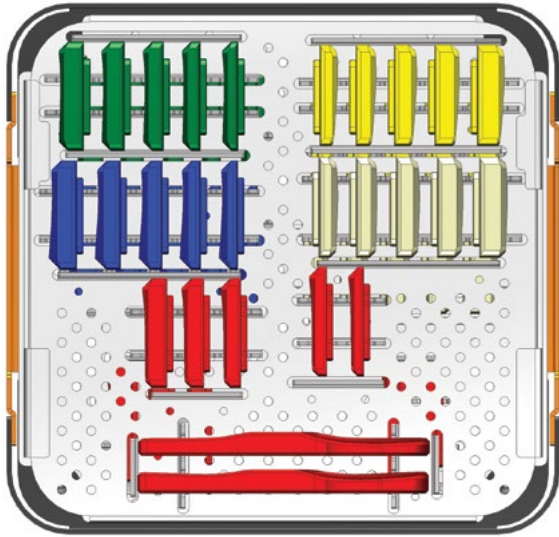


**7401-4432 JOURNEY<sup>◊</sup> II XR<sup>◊</sup>**

**Sz 3-4, 5-6 LT Insert Trial Tray** *continued*

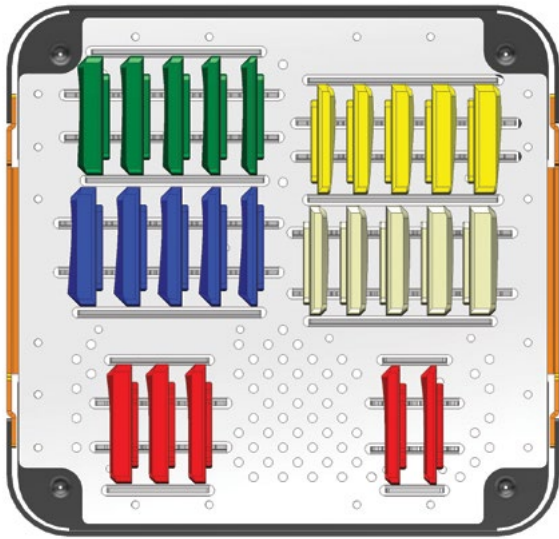
Catalog Item	Description
7401-3845	XR Tibial Insert Trial Sz 5-6 LT Medial 0° 8mm
7401-3846	XR Tibial Insert Trial Sz 5-6 LT Medial 0° 9mm
7401-3847	XR Tibial Insert Trial Sz 5-6 LT Medial 0° 10mm
7401-3848	XR Tibial Insert Trial Sz 5-6 LT Medial 0° 11mm
7401-3849	XR Tibial Insert Trial Sz 5-6 LT Medial 0° 12mm
7401-3851	XR Tibial Insert Trial Sz 5-6 LT Lateral 0° 8mm
7401-3852	XR Tibial Insert Trial Sz 5-6 LT Lateral 0° 9mm
7401-3853	XR Tibial Insert Trial Sz 5-6 LT Lateral 0° 10mm
7401-3854	XR Tibial Insert Trial Sz 5-6 LT Lateral 0° 11mm
7401-3855	XR Tibial Insert Trial Sz 5-6 LT Lateral 0° 12mm
7401-3933	XR Tibial Insert Trial Sz 5-6 LT Medial -2° 8mm
7401-3934	XR Tibial Insert Trial Sz 5-6 LT Medial -2° 9mm
7401-3935	XR Tibial Insert Trial Sz 5-6 LT Medial -2° 10mm
7401-3936	XR Tibial Insert Trial Sz 5-6 LT Medial -2° 11mm
7401-3937	XR Tibial Insert Trial Sz 5-6 LT Medial -2° 12mm
7401-3938	XR Tibial Insert Trial Sz 5-6 LT Lateral -2° 8mm
7401-3939	XR Tibial Insert Trial Sz 5-6 LT Lateral -2° 9mm
7401-3941	XR Tibial Insert Trial Sz 5-6 LT Lateral -2° 10mm
7401-3942	XR Tibial Insert Trial Sz 5-6 LT Lateral -2° 11mm
7401-3943	XR Tibial Insert Trial Sz 5-6 LT Lateral -2° 12mm
7403-3777	XR Tibial Recut Trial Sz 5-6 LT Medial +2° 8mm
7403-3778	XR Tibial Recut Trial Sz 5-6 LT Medial +2° 9mm
7403-3779	XR Tibial Recut Trial Sz 5-6 LT Medial +2° 10mm
7403-3780	XR Tibial Recut Trial Sz 5-6 LT Medial +2° 11mm
7403-3781	XR Tibial Recut Trial Sz 5-6 LT Medial +2° 12mm





**7401-4433 JOURNEY<sup>◇</sup> II XR<sup>◇</sup>  
Sz 3-4, 5-6 RT Insert Trial Tray**

Catalog Item	Description
7401-3834	XR Tibial Insert Trial Sz 3-4 RT Medial 0° 8mm
7401-3835	XR Tibial Insert Trial Sz 3-4 RT Medial 0° 9mm
7401-3836	XR Tibial Insert Trial Sz 3-4 RT Medial 0° 10mm
7401-3837	XR Tibial Insert Trial Sz 3-4 RT Medial 0° 11mm
7401-3838	XR Tibial Insert Trial Sz 3-4 RT Medial 0° 12mm
7401-3839	XR Tibial Insert Trial Sz 3-4 RT Lateral 0° 8mm
7401-3841	XR Tibial Insert Trial Sz 3-4 RT Lateral 0° 9mm
7401-3842	XR Tibial Insert Trial Sz 3-4 RT Lateral 0° 10mm
7401-3843	XR Tibial Insert Trial Sz 3-4 RT Lateral 0° 11mm
7401-3844	XR Tibial Insert Trial Sz 3-4 RT Lateral 0° 12mm
7401-3922	XR Tibial Insert Trial Sz 3-4 RT Medial -2° 8mm
7401-3923	XR Tibial Insert Trial Sz 3-4 RT Medial -2° 9mm
7401-3924	XR Tibial Insert Trial Sz 3-4 RT Medial -2° 10mm
7401-3925	XR Tibial Insert Trial Sz 3-4 RT Medial -2° 11mm
7401-3926	XR Tibial Insert Trial Sz 3-4 RT Medial -2° 12mm
7401-3927	XR Tibial Insert Trial Sz 3-4 RT Lateral -2° 8mm
7401-3928	XR Tibial Insert Trial Sz 3-4 RT Lateral -2° 9mm
7401-3929	XR Tibial Insert Trial Sz 3-4 RT Lateral -2° 10mm
7401-3931	XR Tibial Insert Trial Sz 3-4 RT Lateral -2° 11mm
7401-3932	XR Tibial Insert Trial Sz 3-4 RT Lateral -2° 12mm
7403-3771	XR Tibial Recut Trial Sz 3-4 RT Medial +2° 8mm
7403-3772	XR Tibial Recut Trial Sz 3-4 RT Medial +2° 9mm
7403-3773	XR Tibial Recut Trial Sz 3-4 RT Medial +2° 10mm
7403-3774	XR Tibial Recut Trial Sz 3-4 RT Medial +2° 11mm
7403-3775	XR Tibial Recut Trial Sz 3-4 RT Medial +2° 12mm
7403-3758	XR Tibial Recut Trial Sz 3-4/5-6 RT Medial 0° 6mm
7403-3770	XR Tibial Recut Trial Sz 3-4/5-6 RT Medial +2° 6mm



**7401-4433 JOURNEY<sup>◇</sup> II XR<sup>◇</sup>**  
**Sz 3-4, 5-6 RT Insert Trial Tray** *continued*

Catalog Item	Description
7401-3856	XR Tibial Insert Trial Sz 5-6 RT Medial 0° 8mm
7401-3857	XR Tibial Insert Trial Sz 5-6 RT Medial 0° 9mm
7401-3858	XR Tibial Insert Trial Sz 5-6 RT Medial 0° 10mm
7401-3859	XR Tibial Insert Trial Sz 5-6 RT Medial 0° 11mm
7401-3861	XR Tibial Insert Trial Sz 5-6 RT Medial 0° 12mm
7401-3862	XR Tibial Insert Trial Sz 5-6 RT Lateral 0° 8mm
7401-3863	XR Tibial Insert Trial Sz 5-6 RT Lateral 0° 9mm
7401-3864	XR Tibial Insert Trial Sz 5-6 RT Lateral 0° 10mm
7401-3865	XR Tibial Insert Trial Sz 5-6 RT Lateral 0° 11mm
7401-3866	XR Tibial Insert Trial Sz 5-6 RT Lateral 0° 12mm
7401-3944	XR Tibial Insert Trial Sz 5-6 RT Medial -2° 8mm
7401-3945	XR Tibial Insert Trial Sz 5-6 RT Medial -2° 9mm
7401-3946	XR Tibial Insert Trial Sz 5-6 RT Medial -2° 10mm
7401-3947	XR Tibial Insert Trial Sz 5-6 RT Medial -2° 11mm
7401-3948	XR Tibial Insert Trial Sz 5-6 RT Medial -2° 12mm
7401-3949	XR Tibial Insert Trial Sz 5-6 RT Lateral -2° 8mm
7401-3951	XR Tibial Insert Trial Sz 5-6 RT Lateral -2° 9mm
7401-3952	XR Tibial Insert Trial Sz 5-6 RT Lateral -2° 10mm
7401-3953	XR Tibial Insert Trial Sz 5-6 RT Lateral -2° 11mm
7401-3954	XR Tibial Insert Trial Sz 5-6 RT Lateral -2° 12mm
7403-3783	XR Tibial Recut Trial Sz 5-6 RT Medial +2° 8mm
7403-3784	XR Tibial Recut Trial Sz 5-6 RT Medial +2° 9mm
7403-3785	XR Tibial Recut Trial Sz 5-6 RT Medial +2° 10mm
7403-3786	XR Tibial Recut Trial Sz 5-6 RT Medial +2° 11mm
7403-3787	XR Tibial Recut Trial Sz 5-6 RT Medial +2° 12mm



**Caution:** US Federal law restricts these devices to the sale to or on the order of a physician.

For detailed product information, including indications for use, contraindications, precautions and warnings, please consult each product's Instructions for Use (IFU) prior to use.

Smith & Nephew, Inc.  
1450 Brooks Road  
Memphis, TN 38116  
USA

Telephone: 1-901-396-2121  
Information: 1-800-821-5700  
Orders/Inquiries: 1-800-238-7538

[www.smith-nephew.com](http://www.smith-nephew.com)

◇Trademark of Smith+Nephew  
©2022 Smith+Nephew  
00828 V6 01/22