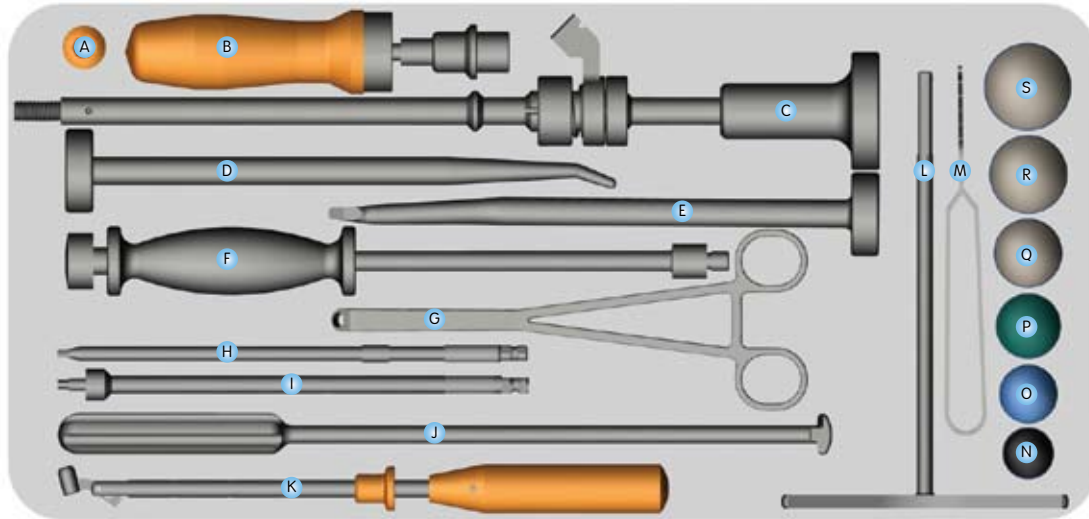


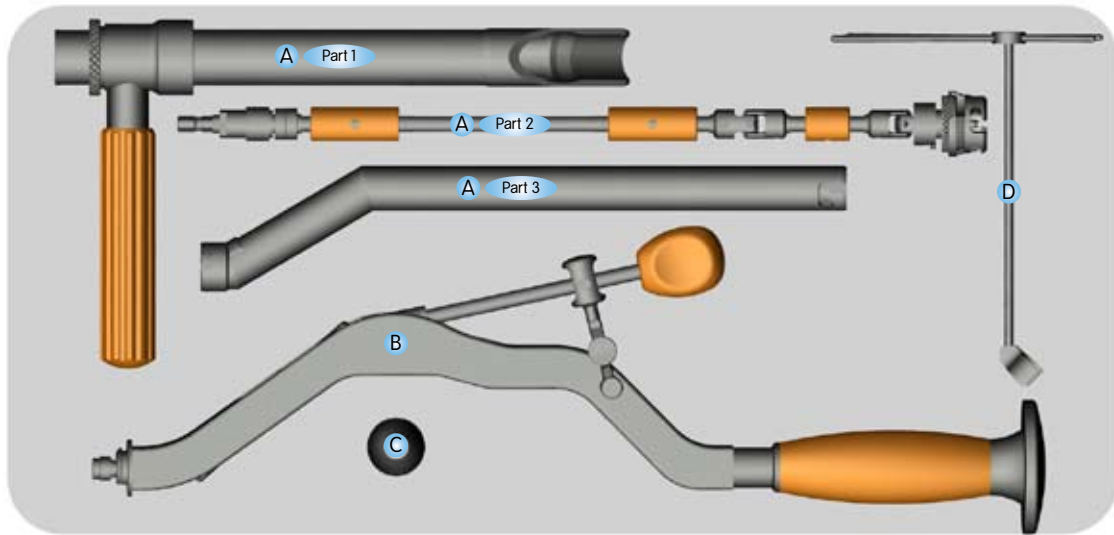
Tray Layouts US

7136-0642 R3[◇] Main Instrument Set List



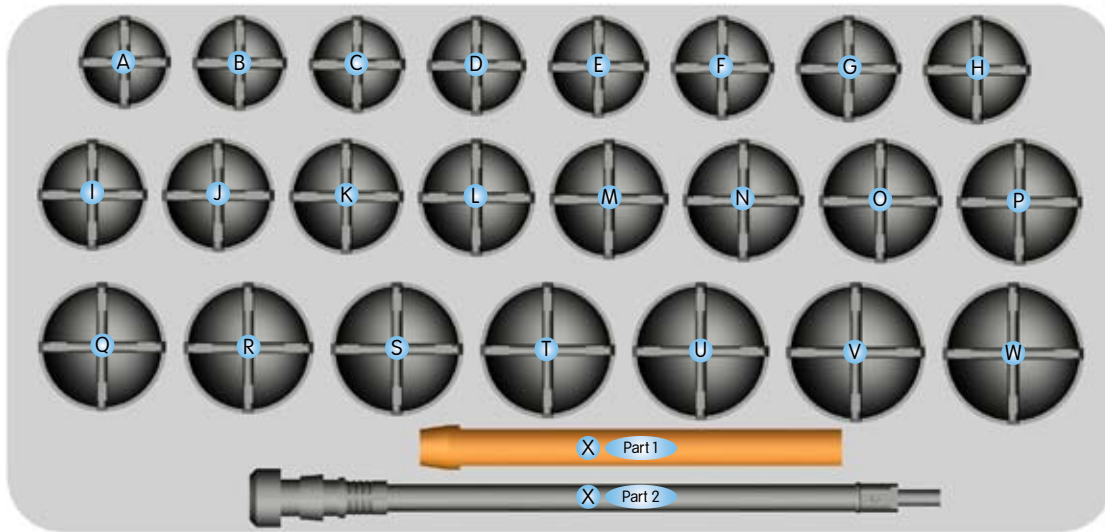
Catalog Number	Description	Qty.	Ref. Letter
7136-2211	R3 Main Instrument Tray	1	-
7136-8570	Impactor Replacement Tip	1	A
7136-2294	Ratchet Handle	1	B
7136-4450	Shell Impactor	1	C
732117	Screw Hole Cover Impactor	1	D
7136-6021	Liner Removal Tool	1	E
7136-7541	Small Slap Hammer	1	F
7136-2298	Screw Forceps	1	G
7136-2290	Flexible Screwdriver	1	H
7136-2295	Ball Joint Screwdriver Shaft	1	I
7136-4455	Trial Liner Removal Tool	1	J
7136-4477	Variable Angle Drill Guide	1	K
MT-2201	X-BAR	1	L
7136-4451	R3 Depth Gauge	1	M
7136-8128	Liner Impactor Head 28mm	1	N
7136-8132	Liner Impactor Head 32mm	1	O
7136-8136	Liner Impactor Head 36mm	1	P
7136-3842	Liner Impactor Head 38-42mm	1	Q
7136-4448	Liner Impactor Head 44-48mm	1	R
7136-4449	Liner Impactor Head 50-54mm	1	S

7136-0679 R3[◇] MIS Instrument Set List



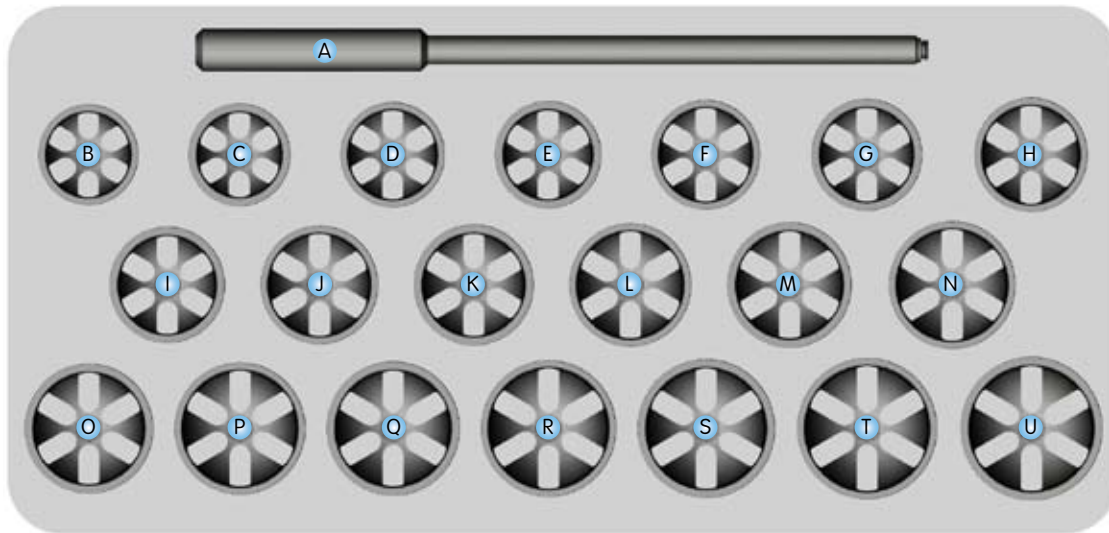
Catalog Number	Description	Qty.	Ref. Letter
7136-2219	R3 MIS Instrument Tray	1	-
7136-4073	R3 Offset Reamer Handle	1	A
7136-8569	R3 Offset Impactor	1	B
7136-3077	R3 Offset Shell Impactor Tip	1	C
7136-6052	R3 MIS X-bar	1	D

7136-0673 Primary Acetabular Reamer Instrument Set List



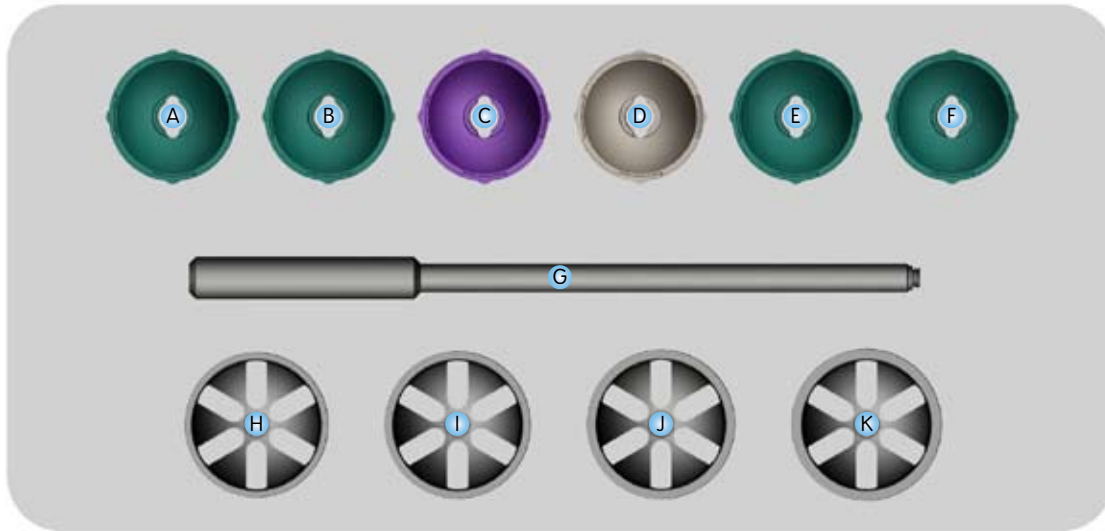
Catalog Number	Description	Qty.	Ref. Letter
7136-2212	R3° Reamer Dome Tray	1	-
7136-2742	R3 Reamer Dome 42mm	1	A
7136-2743	R3 Reamer Dome 43mm	1	B
7136-2744	R3 Reamer Dome 44mm	1	C
7136-2745	R3 Reamer Dome 45mm	1	D
7136-2746	R3 Reamer Dome 46mm	1	E
7136-2747	R3 Reamer Dome 47mm	1	F
7136-2748	R3 Reamer Dome 48mm	1	G
7136-2749	R3 Reamer Dome 49mm	1	H
7136-2750	R3 Reamer Dome 50mm	1	I
7136-2751	R3 Reamer Dome 51mm	1	J
7136-2752	R3 Reamer Dome 52mm	1	K
7136-2753	R3 Reamer Dome 53mm	1	L
7136-2754	R3 Reamer Dome 54mm	1	M
7136-2755	R3 Reamer Dome 55mm	1	N
7136-2756	R3 Reamer Dome 56mm	1	O
7136-2757	R3 Reamer Dome 57mm	1	P
7136-2758	R3 Reamer Dome 58mm	1	Q
7136-2759	R3 Reamer Dome 59mm	1	R
7136-2760	R3 Reamer Dome 60mm	1	S
7136-2761	R3 Reamer Dome 61mm	1	T
7136-2762	R3 Reamer Dome 62mm	1	U
7136-2763	R3 Reamer Dome 63mm	1	V
7136-2764	R3 Reamer Dome 64mm	1	W
7136-2279	R3 Reamer Handle	2	X

7136-0674 R3[◇] Primary Acetabular Trial Shell Set List



Catalog Number	Description	Qty.	Ref. Letter
7136-2213	R3 Trial Shell Tray	1	-
7136-2297	Trial Shell Handle	1	A
7136-0745	R3 Trial Shell 45mm	1	B
7136-0746	R3 Trial Shell 46mm	1	C
7136-0747	R3 Trial Shell 47mm	1	D
7136-0748	R3 Trial Shell 48mm	1	E
7136-0749	R3 Trial Shell 49mm	1	F
7136-0750	R3 Trial Shell 50mm	1	G
7136-0751	R3 Trial Shell 51mm	1	H
7136-0752	R3 Trial Shell 52mm	1	I
7136-0753	R3 Trial Shell 53mm	1	J
7136-0754	R3 Trial Shell 54mm	1	K
7136-0755	R3 Trial Shell 55mm	1	L
7136-0756	R3 Trial Shell 56mm	1	M
7136-0757	R3 Trial Shell 57mm	1	N
7136-0758	R3 Trial Shell 58mm	1	O
7136-0759	R3 Trial Shell 59mm	1	P
7136-0760	R3 Trial Shell 60mm	1	Q
7136-0761	R3 Trial Shell 61mm	1	R
7136-0762	R3 Trial Shell 62mm	1	S
7136-0763	R3 Trial Shell 63mm	1	T
7136-0764	R3 Trial Shell 64mm	1	U

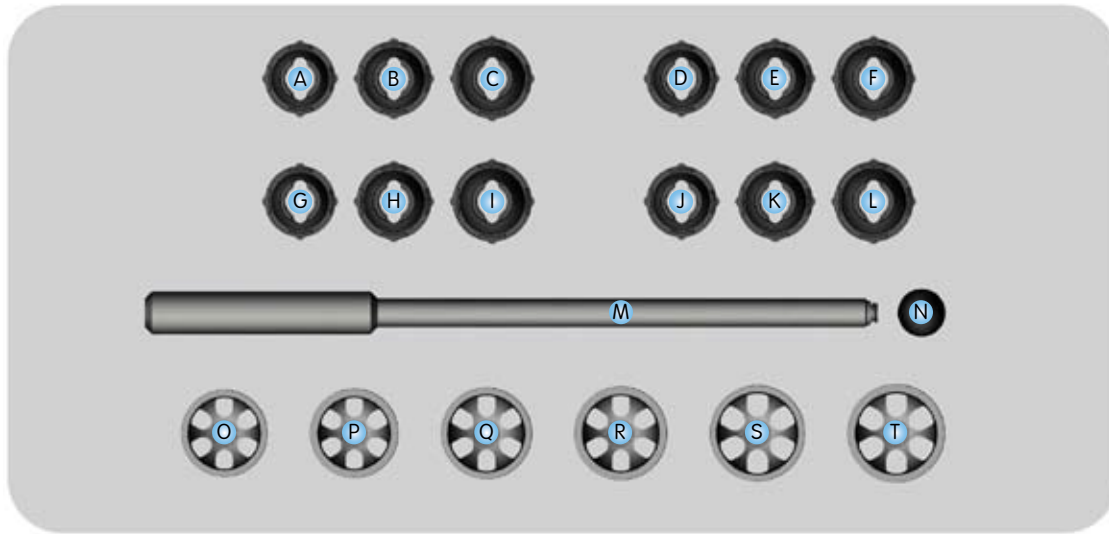
7136-0686 R3[◇] Jumbo Trial Instrument Set List



Catalog Number	Description	Qty.	Ref. Letter
7136-1076	R3 Jumbo Trial Liner Tray	1	-
7136-5266	R3 0° 36mm ID Trial Liner 66/68mm	1	A
7136-8566	R3 0°+4 36mm ID Trial Liner 66/68mm	1	B
7136-9766*	R3 36mm ID Ceramic Trial Liner 66/68mm	1	C
7136-9466*	R3 54mm ID CoCr Trial Liner 66/68mm	1	D
7136-7966	R3 20° 36mm ID Trial Liner 66/68mm	1	E
7136-9166	R3 20°+4 36mm ID Trial Liner 66/68mm	1	F
7136-2297	R3 Trial Shell Handle	1	G
7136-0765	R3 40mm Trial Shell Liner 65mm	1	H
7136-0766	R3 Trial Shell Liner 66mm	1	I
7136-0767	R3 Trial Shell Liner 67mm	1	J
7136-0768	R3 Trial Shell Liner 68mm	1	K

* only available after bearing is FDA approved

7136-0687 R3[◇] CDH Trial Instrument Set List



Catalog Number	Description	Qty.	Ref. Letter
7136-1077	R3 CDH Trial Tray	1	-
7136-0540	R3 0° 22mm ID Trial Liner 40mm	1	A
7136-0542	R3 0° 22mm ID Trial Liner 42mm	1	B
7136-0544	R3 0° 22mm ID Trial Liner 44mm	1	C
7136-5340	R3 20° 22mm ID Trial Liner 40mm	1	D
7136-5342	R3 20° 22mm ID Trial Liner 42mm	1	E
7136-5344	R3 20° 22mm ID Trial Liner 44mm	1	F
7136-6140	R3 0°+4 22mm ID Trial Liner 40mm	1	G
7136-6142	R3 0°+4 22mm ID Trial Liner 42mm	1	H
7136-6144	R3 0°+4 22mm ID Trial Liner 44mm	1	I
7136-8640	R3 20°+4 22mm ID Trial Liner 40mm	1	J
7136-8642	R3 20°+4 22mm ID Trial Liner 42mm	1	K
7136-8644	R3 20°+4 22mm ID Trial Liner 44mm	1	L
7136-2297	R3 Trial Shell Handle	1	M
7136-8122	R3 Liner Impactor Head 22mm	1	N
7136-0739	R3 Trial Shell 39mm	1	O
7136-0740	R3 Trial Shell 40mm	1	P
7136-0741	R3 Trial Shell 41mm	1	Q
7136-0742	R3 Trial Shell 42mm	1	R
7136-0743	R3 Trial Shell 43mm	1	S
7136-0744	R3 Trial Shell 44mm	1	T

Estimated Tray Weights (lbs)

Catalog Number	Description	Half Tray w/ Lid (7136-1081)	Single Height Outer (7112-9401) w/ Lid (7112-9402)	Double Height Outer (7112-9400) w/ Lid (7112-9402)
7136-2211	R3° Main Instrument Tray	-	20.82	Single Height Only
7136-2219	R3 MIS Instrument Tray	-	17.09	Single Height Only
7136-2212	R3 Reamer Dome Tray	-	18.78	Single Height Only
7136-2213	R3 Trial Shell Tray	-	16.50	Single Height Only
7136-1076	R3 Jumbo Trial Liner Tray	-	16.10	Single Height Only
7136-1077	R3 CDH Tray	-	12.87	Single Height Only

Orthopaedic Reconstruction
 Smith & Nephew, Inc.
 1450 Brooks Road, Memphis, TN 38116
 USA

www.smith-nephew.com

Telephone: 1-901-396-2121
 Information: 1-800-821-5700
 Orders/inquiries: 1-800-238-7538
www.smith-nephew.com

°Trademark of Smith & Nephew.

45943402 01/08